

MODEL:

# PDU330AT6L1530

## 3-Phase Monitored 1U Rackmount PDU with ATS



**208V  
3-Phase Input**



**Automatic  
Transfer Switch**



**208V Single-  
Phase Output**



**8.6kW  
Load Capacity**



**Multimode  
Load Meter**



**Network  
Interface**



**1U Horizontal  
Rackmount**

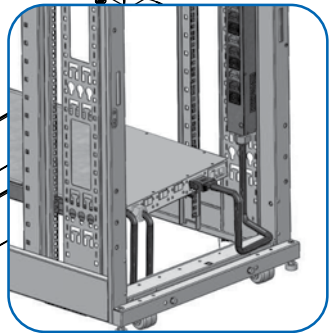
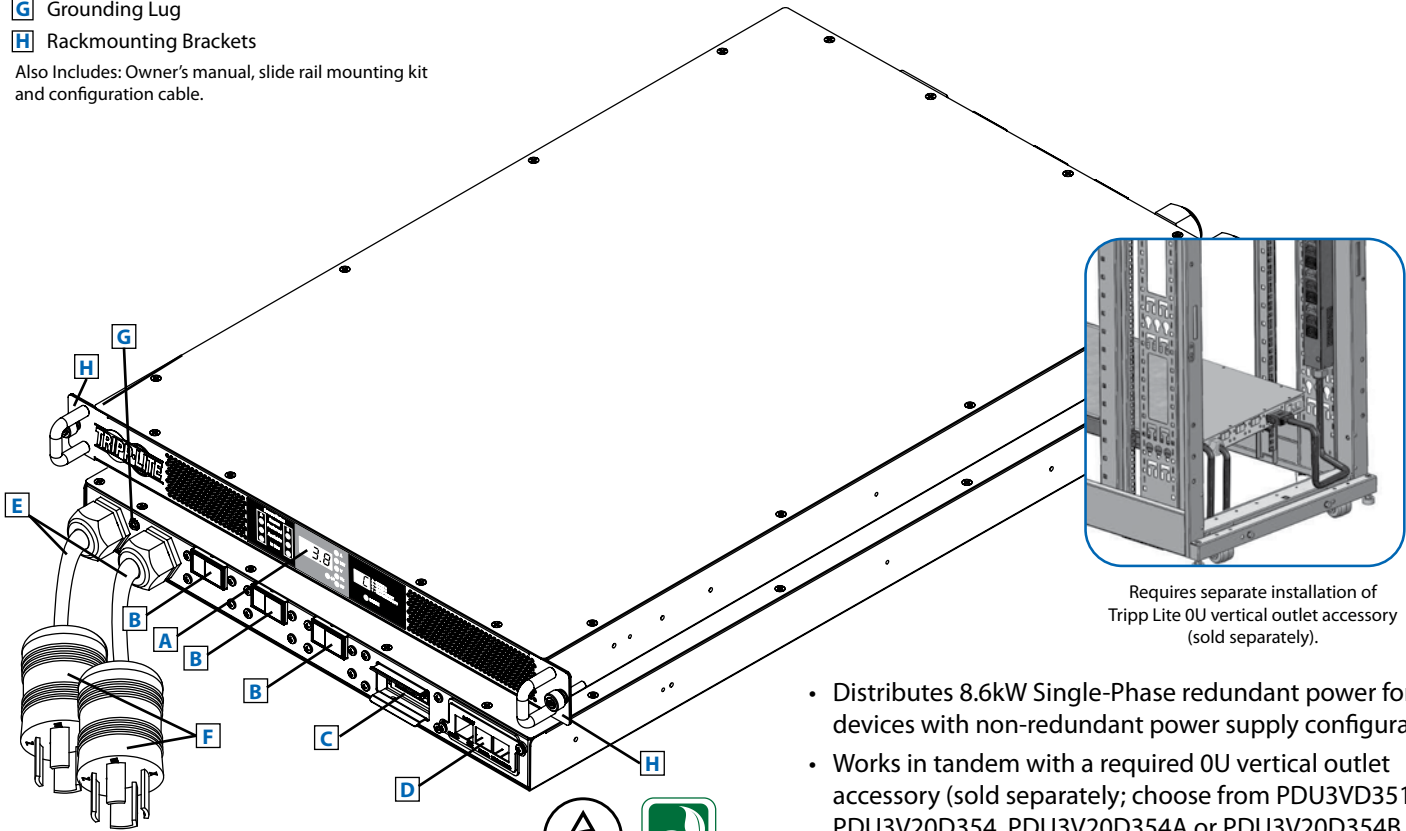
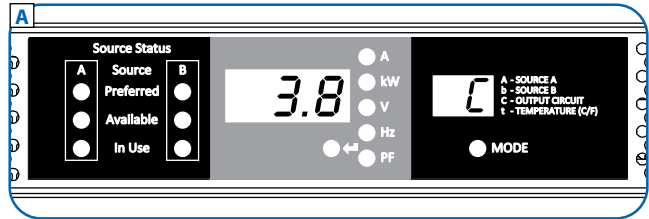


**L15-30P Input**

- A** Multi-Function Display
- B** 20A Double Pole Magnetic Circuit Breakers
- C** ATS Output Mating Receptacle
- D** Network Interface
- E** 6 ft. Input Power Cord (x2)
- F** L15-30P Twist-Lock Input Plug (x2)
- G** Grounding Lug
- H** Rackmounting Brackets

Also Includes: Owner's manual, slide rail mounting kit and configuration cable.

Multi-function display reports Current, Voltage, Frequency, Kilowatts, Power Factor and Temperature\*, plus Source A/B Preferred, Available and In-Use Status.  
\*Requires ENVIROSENSE option.



Requires separate installation of Tripp Lite 0U vertical outlet accessory (sold separately).

### Specifications

<b>Model</b>	<b>PDU330AT6L1530</b>
<b>Voltage</b>	208V (3-Phase Input/Single-Phase Output)
<b>Frequency</b>	50 / 60 Hz
<b>Load Capacity</b>	8.6kW
<b>Input Plug</b>	L15-30P
<b>Input Cord Lengths</b>	6 ft. (1.8 m)
<b>Outlets</b>	Varies (Depends on Installed 0U Outlet Accessory)
<b>Primary Mounting Option</b>	1U Horizontal (0U Outlet Accessory Required)
<b>Unit Weight &amp; Dimensions</b>	26.8 lb / 1.72 x 16.9 x 26 (HxWxD in inches) 12.2 kg / 44 x 429 x 660 (HxWxD in mm)
	<i>See next page for detailed unit measurements.</i>
<b>Standards</b>	Tested to UL/CSA 60950-1 (USA, Canada), FCC Class A, RoHS



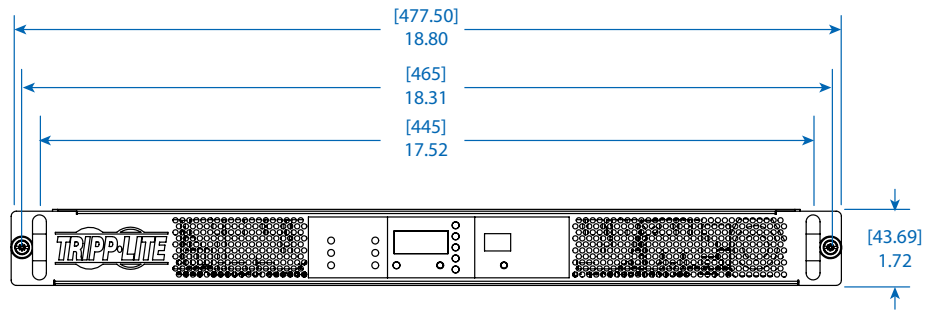
- Distributes 8.6kW Single-Phase redundant power for devices with non-redundant power supply configurations
- Works in tandem with a required 0U vertical outlet accessory (sold separately; choose from PDU3VD351, PDU3V20D354, PDU3V20D354A or PDU3V20D354B, depending on application)
- Remote monitoring via SNMP, Web or Telnet
- Real-time load current display with billing-grade accuracy (+/-1%)

**SEE NEXT PAGE FOR DETAILED UNIT MEASUREMENTS**

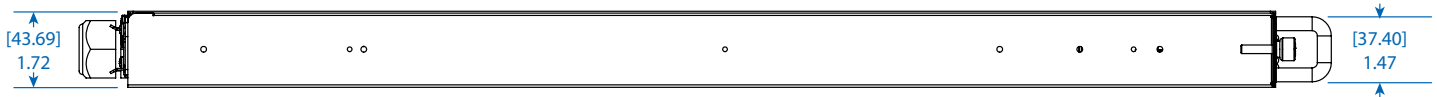


1111 W. 35th Street  
Chicago, IL 60609 USA  
773.869.1234  
www.tripplite.com

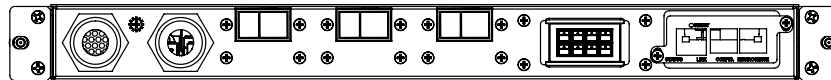
Tripp Lite has a policy of continuous improvement. Specifications are subject to change without notice.



FRONT VIEW



SIDE VIEW



REAR VIEW

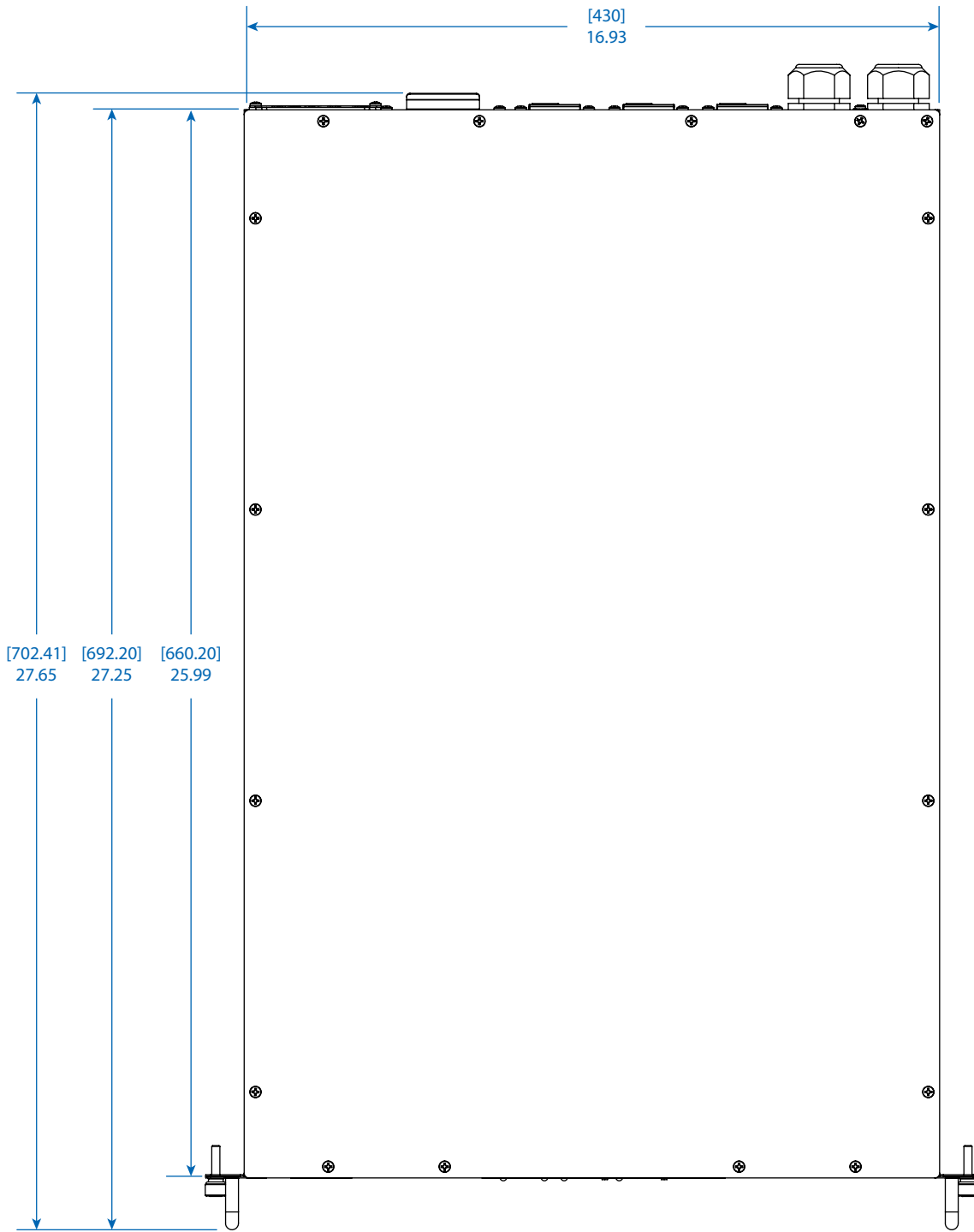
MODEL:  
**PDU330AT6L1530**



1111 W. 35th Street  
Chicago, IL 60609 USA  
773.869.1234  
www.tripplite.com

Dimensions: [mm] INCHES

Tripp Lite has a policy of continuous improvement. Specifications are subject to change without notice.



TOP VIEW

MODEL:  
**PDU330AT6L1530**



1111 W. 35th Street  
 Chicago, IL 60609 USA  
 773.869.1234  
[www.tripplite.com](http://www.tripplite.com)

Dimensions: [mm] INCHES

Tripp Lite has a policy of continuous improvement. Specifications are subject to change without notice.