

Table with columns: PART NUMBER, REV, FIRST USED, TERMINATOR, FEED TYPE, DESCRIPTION. Lists parts for 1339785-1 and -7.

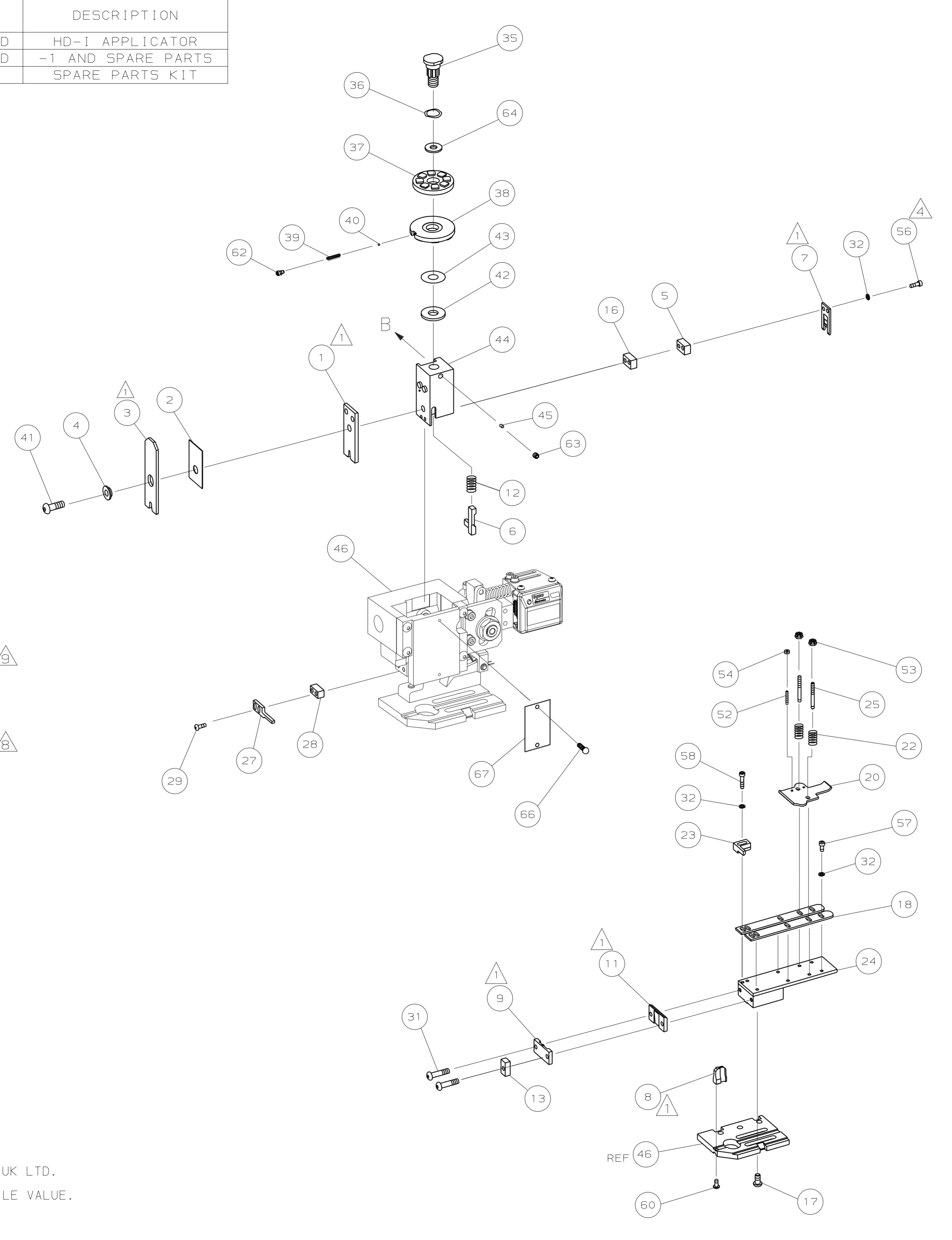
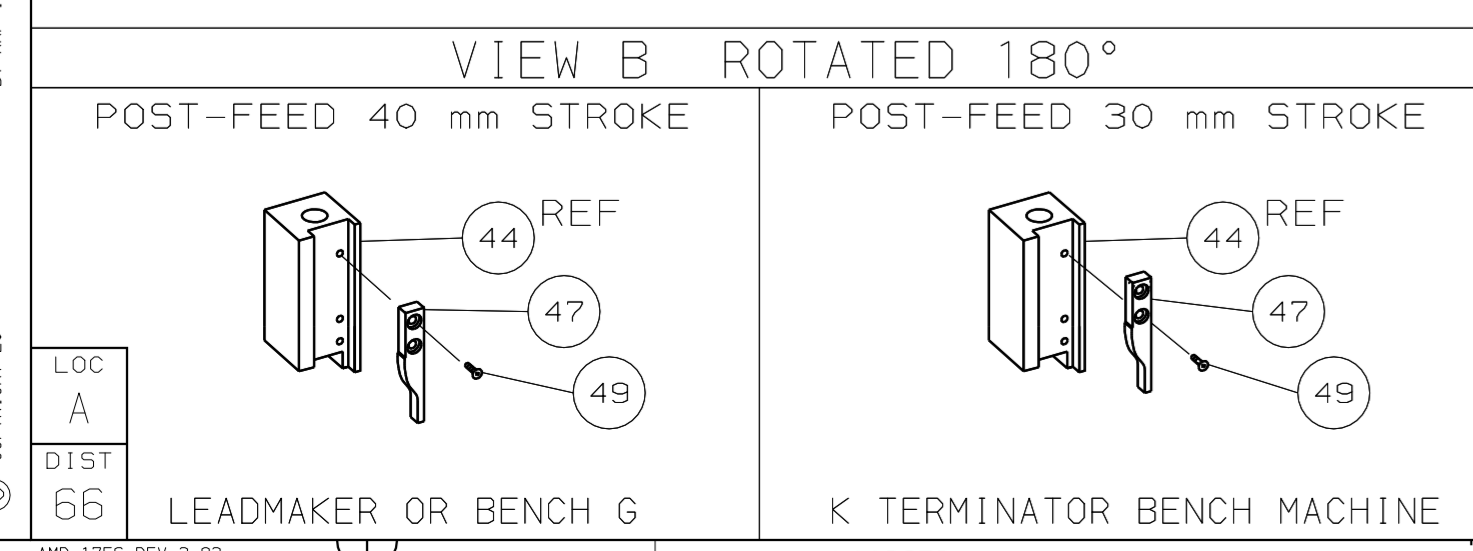
CRIMP DATA table. Includes columns for CRIMP, SIZE, TYPE, RANGE, WIRE, INSUL, WIRE STRIP LENGTH, APPL INSTRUCTION.

Terminal specification table with columns for TERMINAL APPL SPEC and FEED.

TERMINALS APPLIED table. Lists AMP PN, MFR PN for various crimp sizes.

WIRE SIZE table. Columns include WIRE SIZE (mm², AWG), CRIMP HEIGHT, PIN PN AND LENGTH [IN].

- RECOMMENDED SPARE PARTS. 2. GREASE RAM, CAM, CAM FOLLOWER AND FEED ROD LIGHTLY. 3. LUBRICATE DAILY PER THE APPLICATOR INSTRUCTION SHEET SUPPLIED WITH THE APPLICATOR. 4. CUT TO LENGTH AT ASSEMBLY. 5. ALL CRIMP DATA CALCULATED BY TYCO ELECTRONICS UK LTD. 6. FEED OFF TERMINAL BODY. 7. WIRE RANGE SHOWN IS THAT OF THE TERMINAL. 8. 0.5MM² WIRE SIZE IS NOT RECOMMENDED BY TYCO ELECTRONICS UK LTD. 9. 2.00MM² WIRE SIZE DOES NOT MEET TYCO STANDARDS FOR TENSILE VALUE.



Parts list table with columns: QTY, REQD PER ASSY, PART NO, DESCRIPTION, ITEM NO. Lists over 70 components including nuts, washers, springs, and crimping tools.

Customer and assembly drawing information including dimensions (040CT05), material (MATL), HT TR, FIN, and company logo (AMP Tyco Electronics).

THIS DRAWING IS A CONTROLLED DOCUMENT.

LAYOUT L1339785 SET UP GAGE 458638-3

RELEASING FOR PUBLICATION BY AMP INCORPORATED. ALL RIGHTS RESERVED. THIS DRAWING IS UNRELEASING.