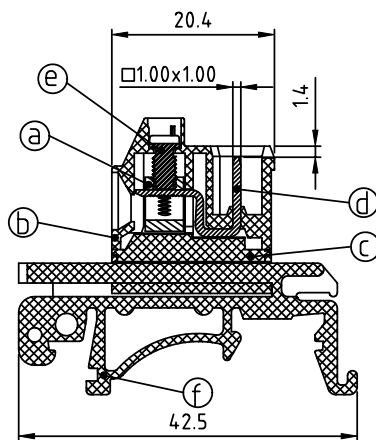
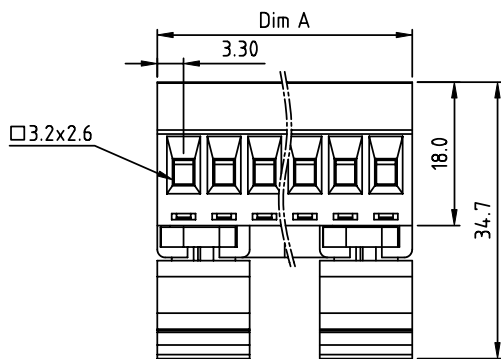
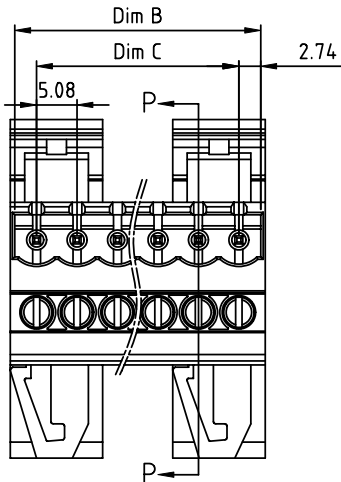


PRODUCT NUMBER	PITCH
V5xx51x400J0G	5.08 mm



SECTION P-P

Material:

- Item Ⓐ Clamp: Brass Ni plated
- Item Ⓓ Terminal(housing): Thermoplastic (UL94V-0)
- Item Ⓒ Terminal(cover): Thermoplastic (UL94V-0)
- Item Ⓔ Pin: Brass, Tin plated.
- Item Ⓔ Terminal screw: Steel Zinc plating solt "-"type M3
- Item Ⓕ Terminal(track): Thermoplastic (UL94V-0)

Electrical: cULus

- Voltage rating:300V
- Current rating: 12A
- Wire range:
- Solid wire(AWG):12-30
- Stranded wire(AWG):12-30
- Torque(Lb-In): 4.4
- Screw:M3
- Wire strip length: 6-7 mm
- Withstanding Voltage: 1.6KV
- Operating temperature: -40°C to +115°C
- Safety Approval:

DIMENSION

Dim A	Nx5.08+1.52
Dim B	(N-1)x5.08+5.48
Dim C	(N-1)x5.08

N=Number of poles

Poles	Tolerance
2P-6P	±0.20
7P-12P	±0.25
13P-18P	±0.30
19P-24P	±0.40

PART NO.: V5 xx 51 x 4 00J0 G

Solid block	No. of poles	Color	RoHS compliant (lead<4%) In copper Alloy
0	2	Black (RAL9005)	
02	2	Red (RAL3001/D)	
03	3	Orange(RAL2011/P)	
...	...	4 Yellow(RAL1018/A)	
...	...	5 Green(RAL6018/T)	
24	24	6 Blue (RAL5015/A)	
		8 Grey(RAL7035/D)	
		9 White(RAL1102)	
		C Green(RAL6018/U)	

mat'l. code		surface ASME Y14.5 ✓	tolerance ASME Y14.5	projection	product family
ltr	ecn no	dr	date		TERMINAL BLOCK
tolerances unless otherwise specified				MM	title
angles				scale	TERMINAL BLOCK
X°±1°					PLUGGABLE PLUG,DIN RAIL MOUNTING,B TYPE
dr	EVIN ZHONG	050414			dwg no
enr	EVIN ZHONG	050414			sheet 1 of 1
chr	HANKE FENG	050414			size
appd	SHI JUN	050414			V5xx51x400J0G
sheet index	revision sheet	A	1		type
					CUSTOMER Drawing