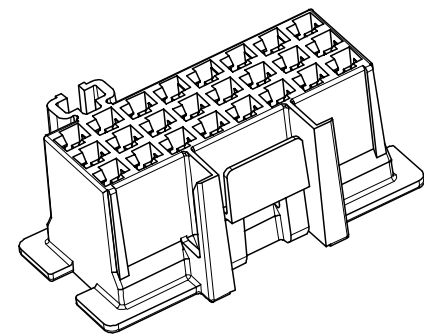
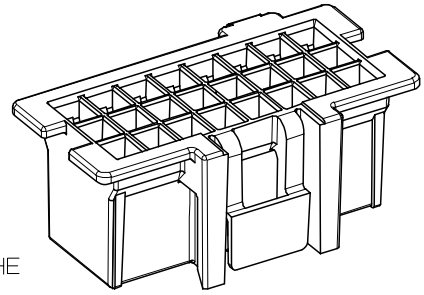


NOTES:

1. MATERIAL: 6/6 NYLON, UL94V-2, COLOR: BLACK
2. FINISH: NOT APPLICABLE
3. PRODUCT SPECIFICATION: PSX-44441-9999
4. USE TERMINALS: 43375-*
5. SEE AS-43796-001 FOR THE DESCRIPTION OF THE MATING INTERFACE.



43796-2024

EC NO: UCP2004-1310 DRWN: MKAMARAI/2004/01/20 CHKD: MKAMARAI/2004/01/20 APPR: BWIRKUS 2004/01/20	QUALITY SYMBOLS ▽ - 0 ◻ - 0	GENERAL TOLERANCES (UNLESS SPECIFIED)		SCALE 2:1	DESIGN UNITS INCH	THIRD ANGLE PROJECTION REVISIONS: 1 OF 1
		DIMENSION STYLE IN/MM	TITLE CONNECTOR HOUSING 24 - CIRCUITS, W/ FLANGE TIMER APPLICATION		DRAWN BY TGREGORI DATE 2003/03/13 CHECKED BY BWIRKUS DATE 2003/03/14	
B2	DESCRIPTION	4 PLACES ± --- ± --- 3 PLACES ± --- ± .007 2 PLACES ± 0.18 ± .010 1 PLACE ± 0.25 ± ---	ANGULAR ± 1/2°	APPROVED BY JCOMERCI DATE 2003/03/17	MATERIAL NO. 43796-2024	DOCUMENT NO. SD-43796-002
DRAFT WHERE APPLICABLE MUST REMAIN WITHIN DIMENSIONS				THIS DRAWING CONTAINS INFORMATION THAT IS PROPRIETARY TO MOLEX INCORPORATED AND SHOULD NOT BE USED WITHOUT WRITTEN PERMISSION		