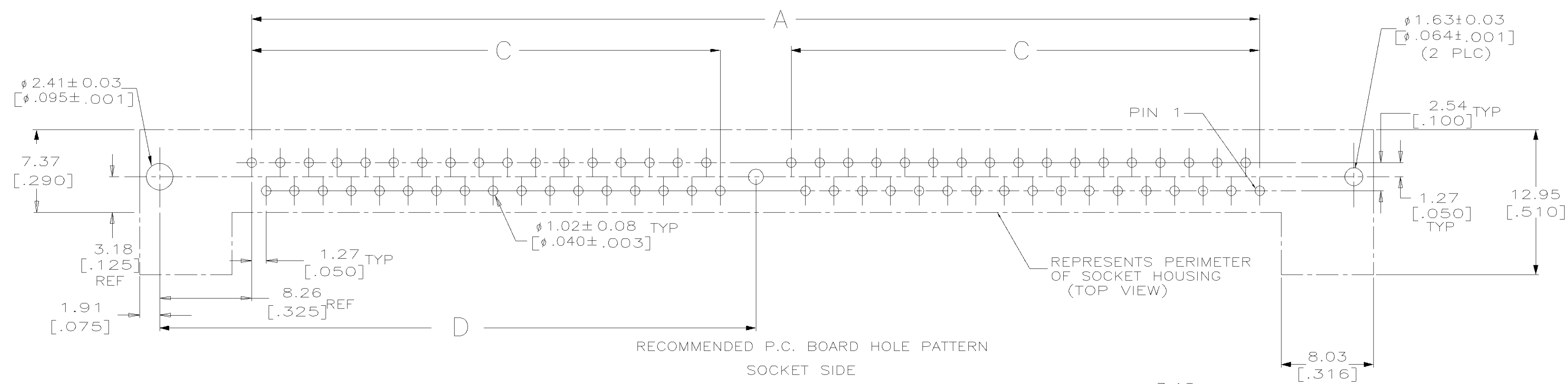
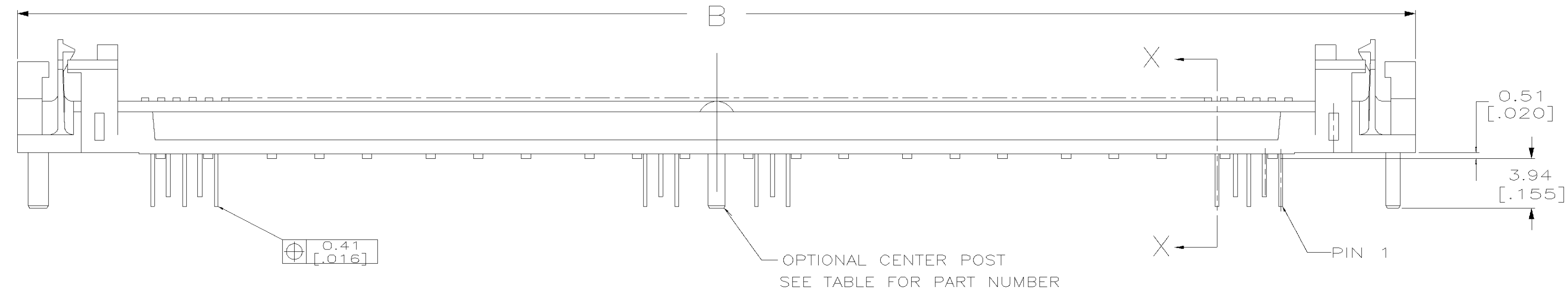
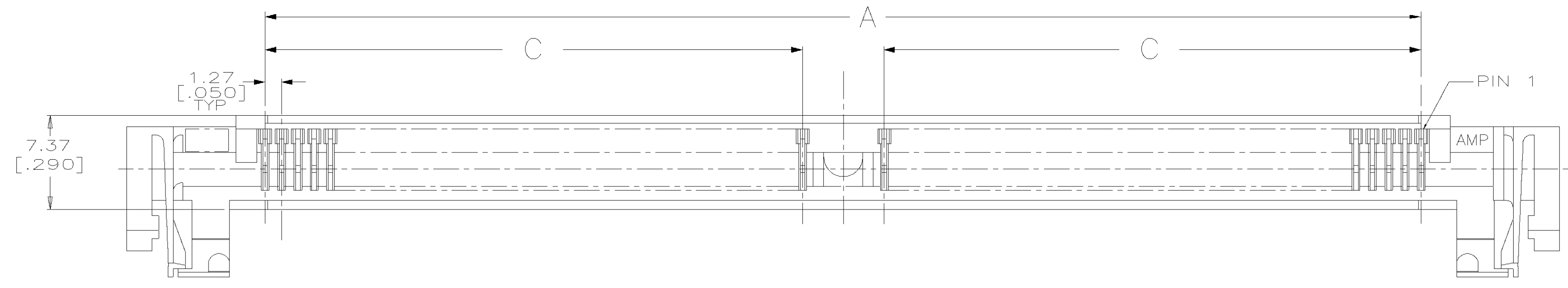
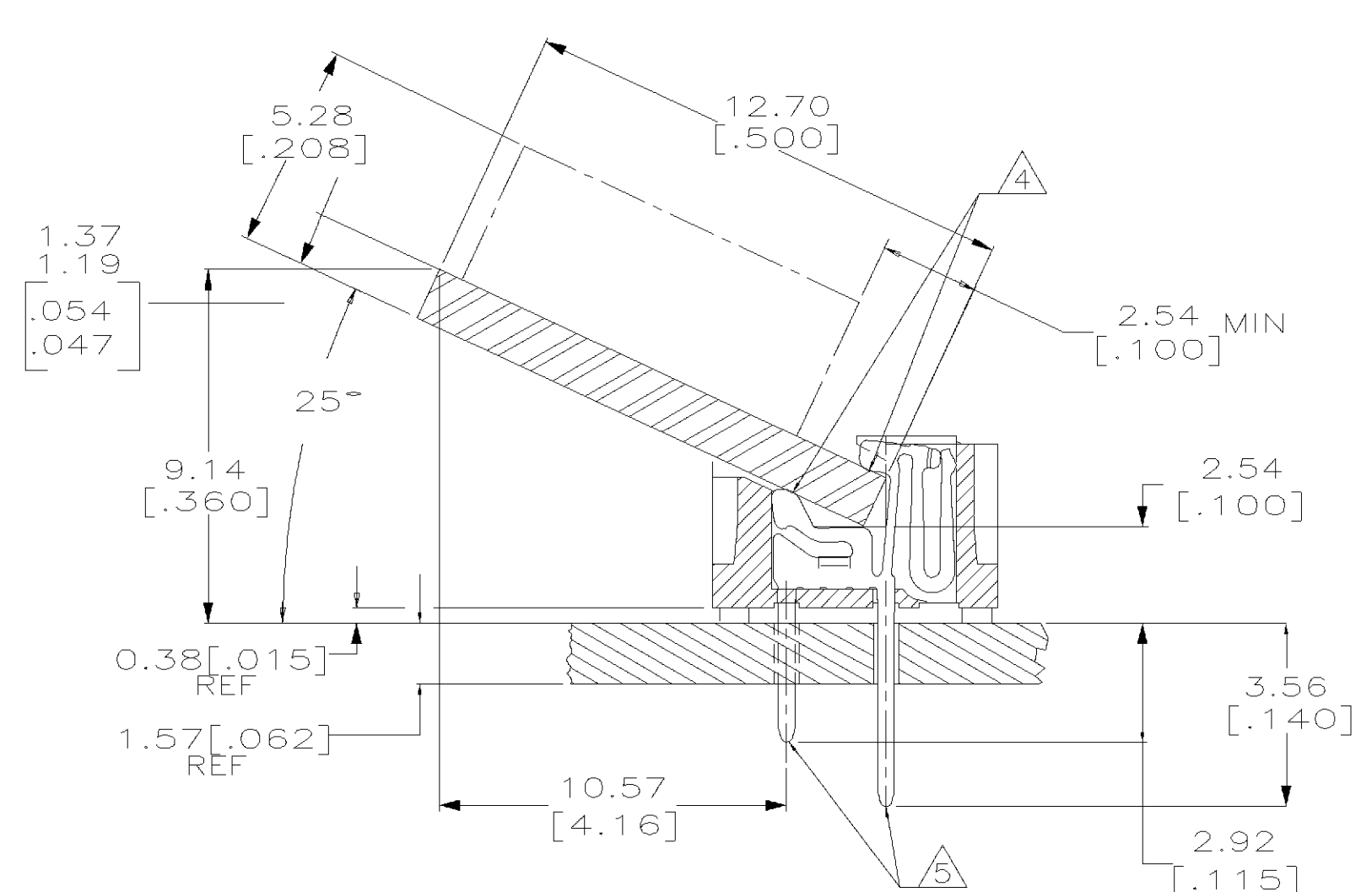


DRAWING MADE IN THIRD ANGLE PROJECTION
 THIS DRAWING IS UNPUBLISHED. RELEASED FOR PUBLICATION
 © COPYRIGHT 19 BY AMP INCORPORATED. ALL INTERNATIONAL RIGHTS RESERVED.

LOC		DIST		REV		ZONE		LTR		REVISIONS		DATE	APPD
AG	53									R	REVISED PER 0440-0089-97	7-15-97	AH
										S	REV PER 051D-0084-00	16JUL00	MB

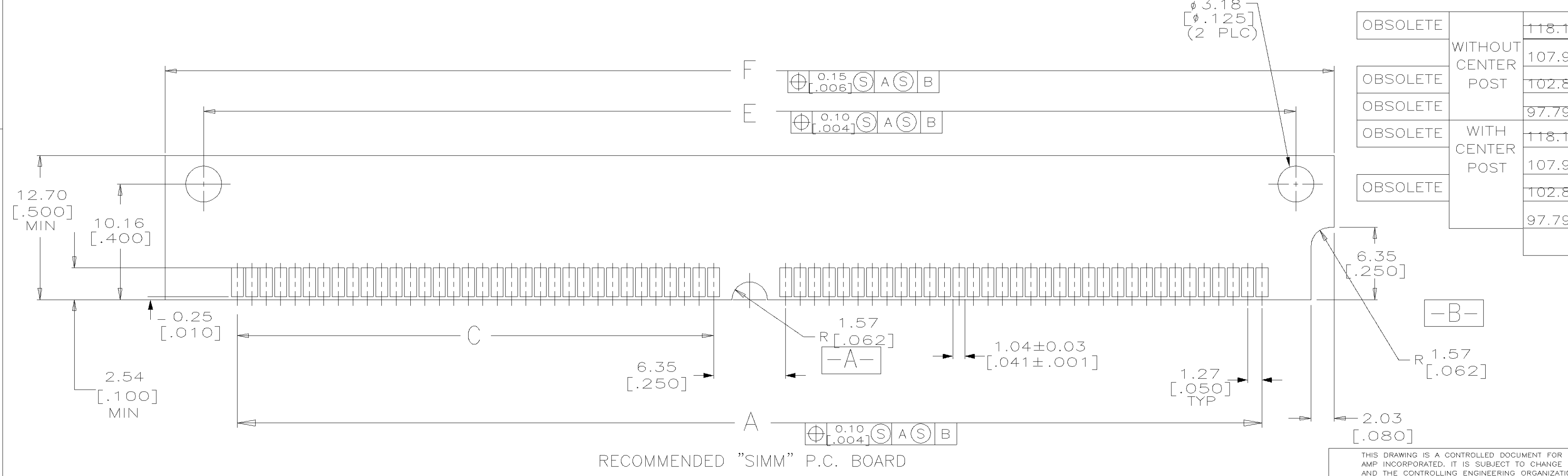


- △ HOUSING-MATERIAL : LIQUID-CRYSTAL-POLYMER.
- △ CONTACT-MATERIAL : PHOS. BRONZE, AMP 100-255.
- △ CONTACT-PLATE 0.00127 [.000050] MIN NICKEL ALL OVER.
- △ CONTACT-PLATE 0.00076 [.000030] MIN. GOLD AT CONTACT PTS.
- △ CONTACT SOLDERDETAILS-PLATE 0.00508 [.000200] MIN TIN/LEAD.
- 6. IN ADDITION TO THOSE RECOMMENDED "SIMM" P.C. BOARD DIMENSIONS AND TOLERANCES SHOWN, ALL JEDEC SPECIFICATIONS APPLY AS SHOWN ON MO-116, ISSUE A.
- 7. RECOMMENDED MATING S.I.M.M. TAB METALLURGY:
 BASE METAL-COPPER. PLATING TO BE 0.00076 [.000030] MIN GOLD OVER 0.00127 [.000050] MIN NICKEL.
- △ SUPERSEDED BY 821950-5
- △ SUPERSEDED BY 821950-6
- △ SUPERSEDED BY 821950-7
- △ SUPERSEDED BY 821950-8



SECTION X-X
 SCALE 5:1
 (BOARDS SHOWN FOR REF ONLY)

		F	E	D	C	B	A	NO OF POSN	PART NO
OBSOLETE	WITHOUT CENTER POST	118.11[4.650]	111.35[4.384]	60.96[2.400]	49.53[1.950]	125.73[4.950]	105.41[4.150]	80	821950-8
OBSOLETE		107.95[4.250]	101.19[3.984]	55.88[2.200]	44.45[1.750]	115.57[4.550]	95.25[3.750]	72	821950-7
OBSOLETE		102.87[4.050]	96.11[3.784]	53.34[2.100]	41.91[1.650]	110.49[4.350]	90.17[3.550]	68	821950-6
OBSOLETE	WITH CENTER POST	97.79[3.850]	91.03[3.584]	50.80[2.000]	39.37[1.550]	105.41[4.150]	85.09[3.350]	64	821950-5
OBSOLETE		118.11[4.650]	111.35[4.384]	60.96[2.400]	49.53[1.950]	125.73[4.950]	105.41[4.150]	80	△ 821950-4
OBSOLETE		107.95[4.250]	101.19[3.984]	55.88[2.200]	44.45[1.750]	115.57[4.550]	95.25[3.750]	72	△ 821950-3
OBSOLETE		102.87[4.050]	96.11[3.784]	53.34[2.100]	41.91[1.650]	110.49[4.350]	90.17[3.550]	68	△ 821950-2
OBSOLETE		97.79[3.850]	91.03[3.584]	50.80[2.000]	39.37[1.550]	105.41[4.150]	85.09[3.350]	64	△ 821950-1



RECOMMENDED "SIMM" P.C. BOARD

DO NOT SCALE PRINT. UNLESS SPECIFIED DIMENSIONS IN mm [INCHES] TOLERANCES ON : 2 PLC DEC ± - 3 PLC DEC ± 0.13 [.005] ANGLES ±	DR 2-15-91 K.SALMON CHK 2-18-91 R.MILLER APPD 2-18-91 J.LAMBERT APPD 2-18-91 E.MCCARTHY PRODUCT SPEC - APPLICATION SPEC - WEIGHT -	AMP Incorporated Harrisburg, PA 17105-3508 NAME CONNECTOR, MICRO-EDGE, .050, LP, GOLD PLATING SIZE D CAGE CODE 00779 DRAWING NO C-821950 SCALE 4:1 SHEET 1 OF 1
--	--	---