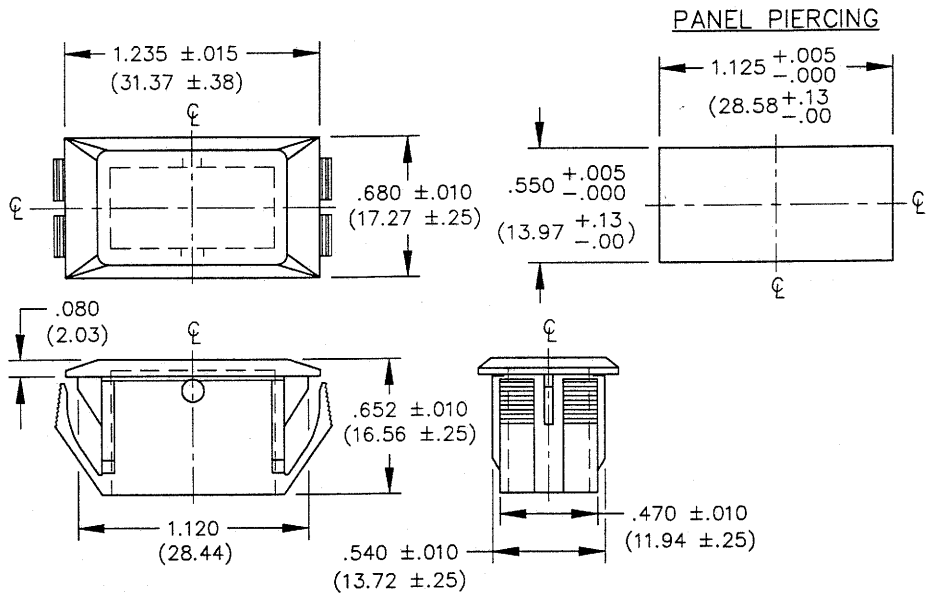


DIMENSIONS IN INCHES (MILLIMETERS)  
DO NOT SCALE DRAWING .....

Dwg. No.  
GIL-2000-2010



FORM-B4  
REVISIONS  
RELEASED: DGW 8-16-2000  
0  
AUG 17 2000

**CW INDUSTRIES**  
Southampton, Pa. 18966

TOLERANCES UNLESS OTHERWISE SPECIFIED

2 Place Decimal $\pm .010$	METRIC
3 Place Decimal $\pm .005$	1 Place Dec. $\pm .25$ mm
Angles $\pm 1^\circ$	2 Place Dec. $\pm .13$ mm

Made for: CW IND.  
Drawn by: DGW 8-16-2000  
Checked by: G. Gold 8-16-00  
Approval: *[Signature]* 8-16-00

Title: UNIBODY HOUSING BLANK ASSEMBLY  
Division: SWITCH  
Dwg. No. GIL-2000-2010