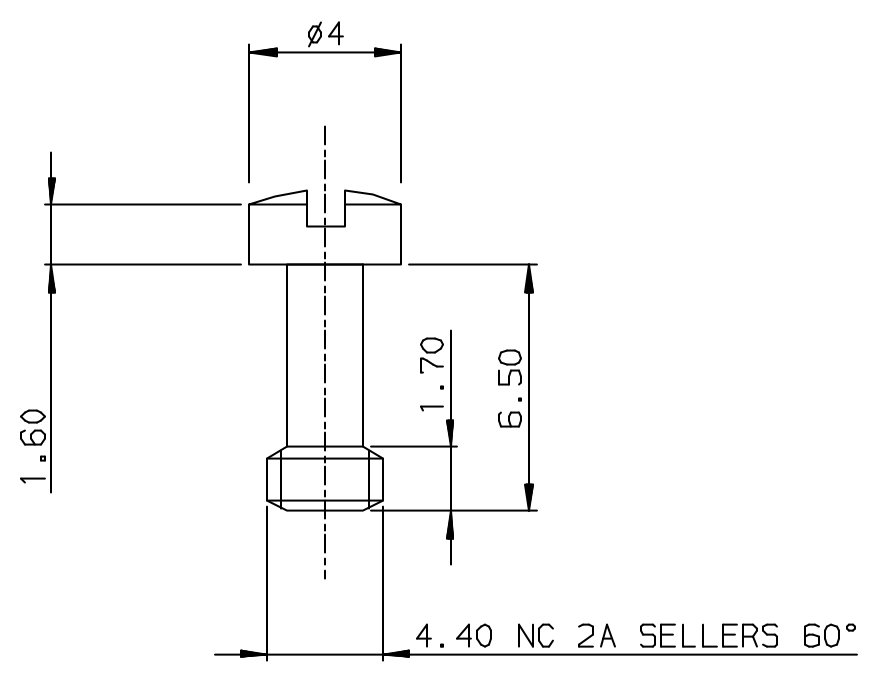


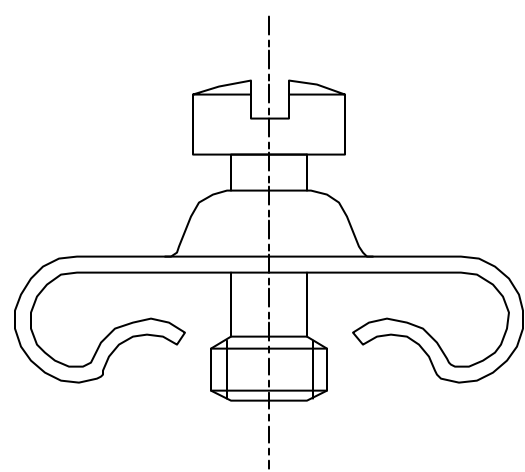
Tous droits strictement réservés. Reproduction ou communication a des tiers interdite sans que l'auteur ait autorisé par écrit la reproduction FCI. Propriété de FCI. Droits de reproduction FCI.

FCI

All rights strictly reserved. Reproduction or issue to third parties in any form whatever is not permitted without written authority from the proprietor. Property of FCI. Copyright FCI.



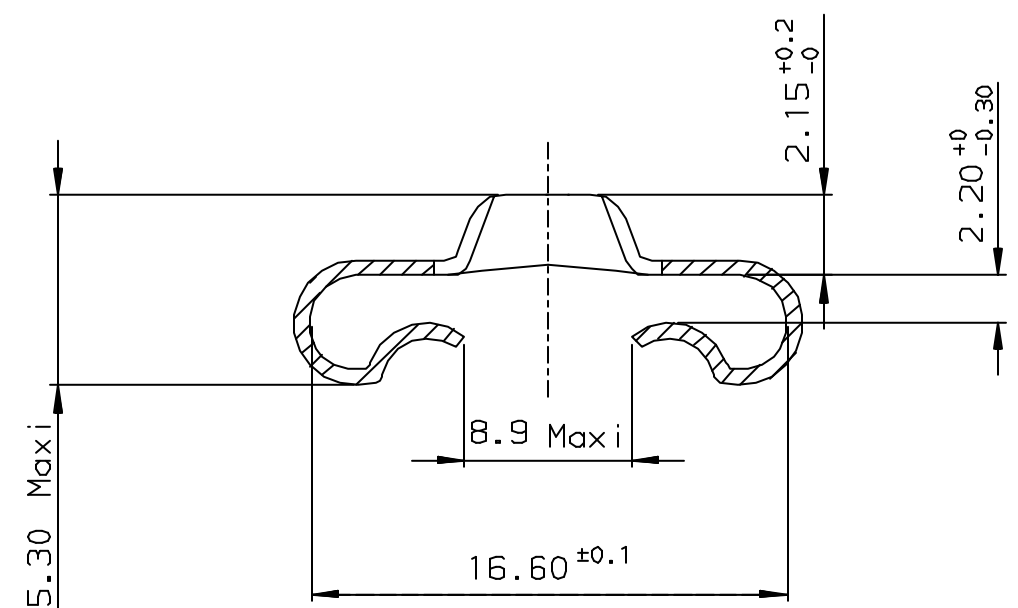
VUE ASSEMBLE



Part number **863002ALF**

NOTES

- Pieces assembly
- Packaging : per 100 piece
- Material : steel
- Thread : UNC 4.40



NOTE1. RoHS INFORMATIONS

- The "LF" product meets European union Directives and other country regulations as described in GS-22-008.
- The product is not intended to be exposed to a manufacturing solder process.
- Plating: Zinc Cr3+, white color.
- Packaging spec: see GS-14-920.

European view

www.fciconnect.com		 ISO 1302	tolerance ISO 406 ISO 1101	projection 	mm
Dr	GOISNARD	12/01/06	Product family	D-SUB 571	size
Eng	PESSON	12/01/06	Spec ref	-	A3
Chr	LEGARE	12/01/06	Material	SEE NOTES	ECN
Appr	LEGARE	12/01/06			LS05-0123
title ETRIER DE FIXATION POUR BOITIER ET CAPOT METAL 50pts (P et S)			dwg no C01-8655-1645		Rev. A
catalog no -			CUSTOMER COPY		sheet 1 of 1

Ltr	ecn no	dr	date
A	LS05-0123	LGO	12/01/06
-	-	-	-
-	-	-	-
-	-	-	-
-	-	-	-