

PART NO	CL CODE	B	C
DF40JC- 10DS-0.4V(53)	CL684-4059-8-53	4.6	1.6
DF40JC- 20DS-0.4V(53)	CL684-4060-7-53	6.6	3.6
DF40JC- 24DS-0.4V(53)	CL684-4061-0-53	7.4	4.4
DF40JC- 30DS-0.4V(53)	CL684-4062-2-53	8.6	5.6
DF40JC- 34DS-0.4V(53)	CL684-4163-0-53	9.4	6.4
DF40JC- 40DS-0.4V(53)	CL684-4063-5-53	10.6	7.6
DF40JC- 44DS-0.4V(53)	CL684-4137-0-53	11.4	8.4
DF40JC- 50DS-0.4V(53)	CL684-4046-6-53	12.6	9.6
DF40JC- 60DS-0.4V(53)	CL684-4064-8-53	14.6	11.6
DF40JC- 70DS-0.4V(53)	CL684-4145-8-53	16.6	13.6
DF40JC- 80DS-0.4V(53)	CL684-4065-0-53	18.6	15.6
DF40JC- 90DS-0.4V(53)	CL684-4143-2-53	20.6	17.6
DF40JC-100DS-0.4V(53)	CL684-4066-3-53	22.6	19.6

- NOTES )
- ALL LEADS METAL FITTINGS CO-PLANARITY SHALL BE 0.1mm MAX.
  - IS NO PATTERN AREA OTHER THAN THE SAME CIRCUIT.
  - HRS MARK AND CAV NO. IS INDICATED IN APPROXIMAL POSITION SHOWN.
  - GATE POSITION OF 60 TO 100 POSITONS IS POSITIONED IN APPROXIMAL AREA SHOWN.
  - GATE POSITION OF 10 TO 50 POSITONS IS POSITIONED IN APPROXIMAL AREA SHOWN.  
A PART OF THE WALL COULD BE NOTCHED FOR SETTING GATE.
  - 60 TO 100 POSITIONS HAVE CONCAVE PORTION.
  - THE DIMENSIONS INDICATED IN THE FIGURE IS REFERENCE.  
AN ELECTRIC PERFORMANCE IS GUARANTEED BY BEING MAINTAINED AS SHOWN IN THE FIGURE.

NO.	MATERIAL	FINISH	REMARKS	NO.	MATERIAL	FINISH	REMARKS
2	PHOSPHOR BRONZE		CONTACT AREA: PdNi0.76μm+GOLD0.05μm MIN UNDERPLATING: NICKEL 1μm MIN	6	PS		CLEAR ( REINFORCEMENT COLLAR )
1	LCP		BLACK. UL94V-0	5	PS		BLACK ( PLASTIC REEL )
				4	POLYESTER		CLEAR ( COVER TAPE )
				3	PS		CLEAR ( EMBOSSED CARRIER TAPE )

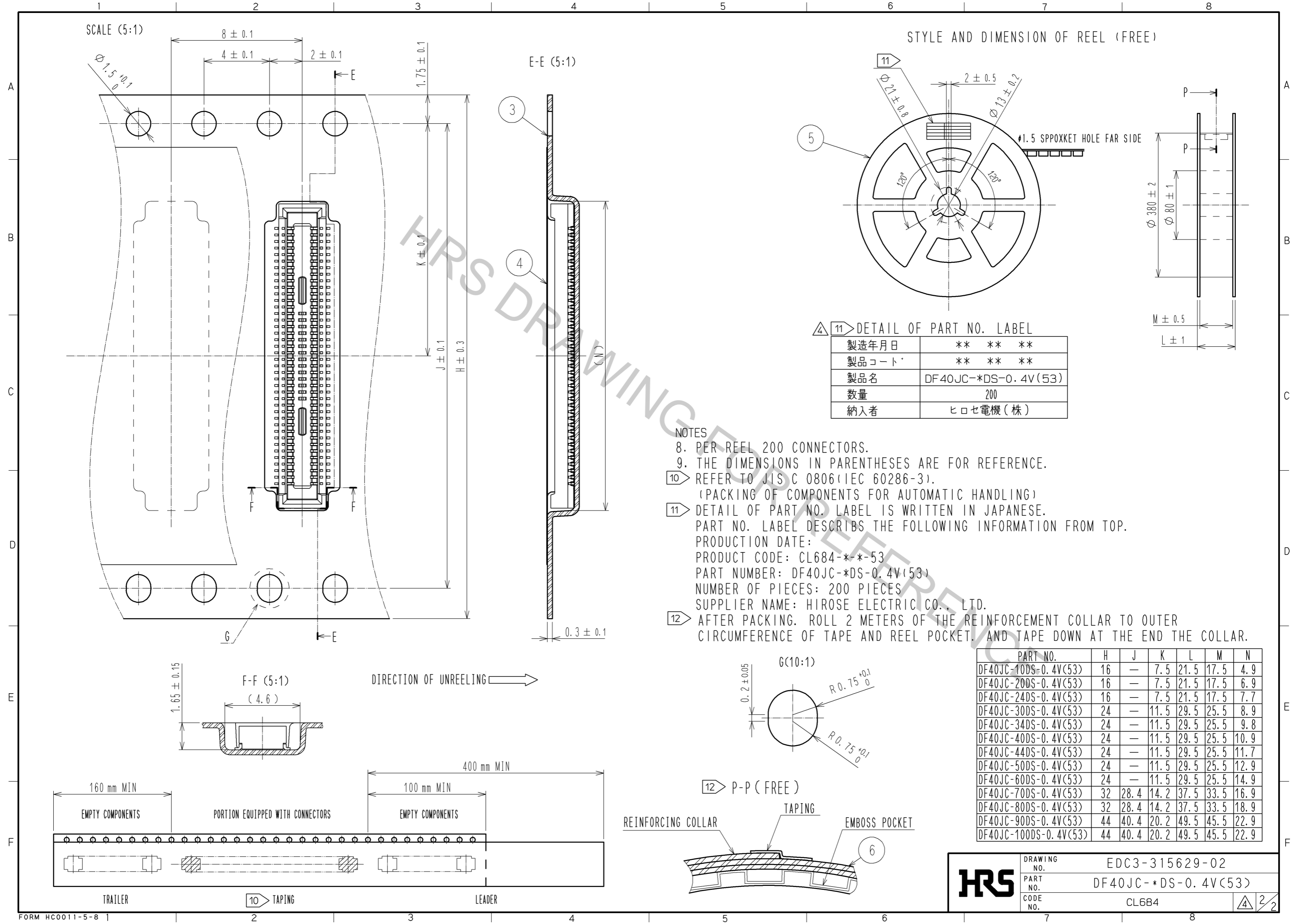
UNITS	SCALE	COUNT	DESCRIPTION OF REVISIONS	DESIGNED	CHECKED	DATE
mm	10 : 1	1	DIS-H-007533	YN. SAKAMOTO	YH. MICHIDA	13.01.07

APPROVED	CHECED	DESIGNED	DRAWN	DATE	DRAWING NO.	PART NO.	CODE NO.
KH. IKEDA	TS. MIYAZAKI	TK. SUZUKI	TK. SUZUKI	08.04.28	EDC3-315629-02	DF40JC- *DS-0.4V(53)	CL684

SCALE (5:1)

STYLE AND DIMENSION OF REEL (FREE)

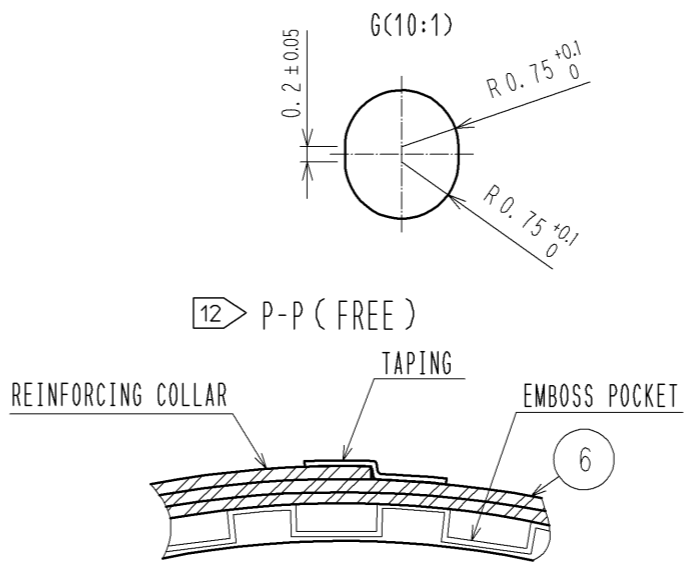
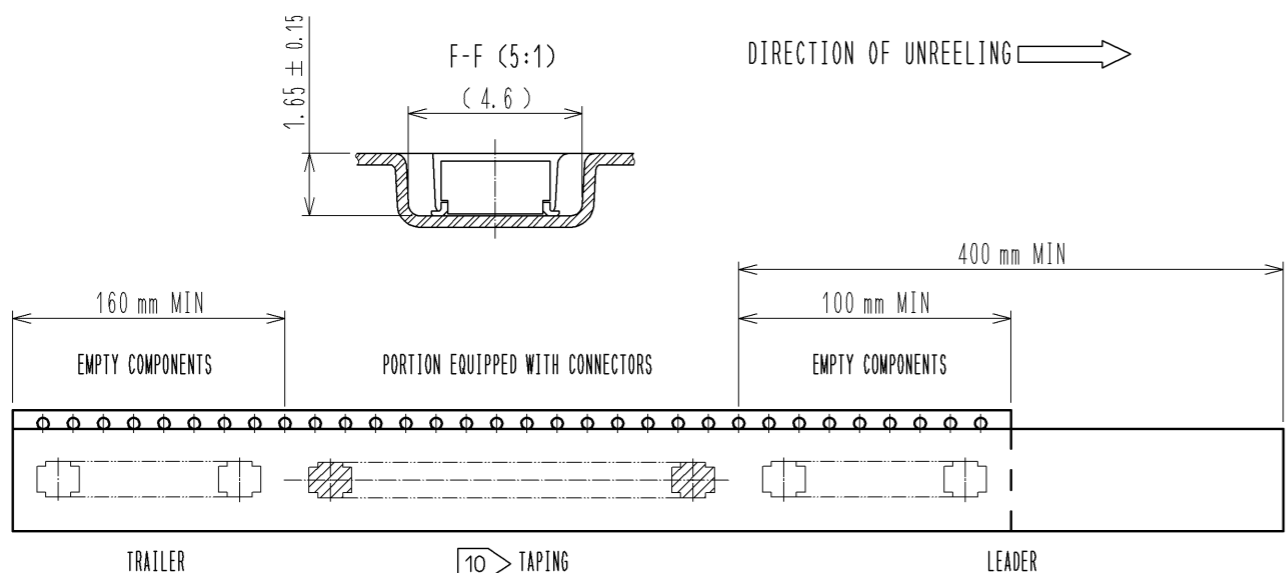


△ 11 DETAIL OF PART NO. LABEL

製造年月日	** ** *
製品コード	** ** *
製品名	DF40JC-*DS-0.4V(53)
数量	200
納入者	ヒロセ電機(株)

- NOTES
- 8. PER REEL 200 CONNECTORS.
  - 9. THE DIMENSIONS IN PARENTHESES ARE FOR REFERENCE.
  - 10 REFER TO JIS C 0806(IEC 60286-3).  
(PACKING OF COMPONENTS FOR AUTOMATIC HANDLING)
  - 11 DETAIL OF PART NO. LABEL IS WRITTEN IN JAPANESE.  
PART NO. LABEL DESCRIBES THE FOLLOWING INFORMATION FROM TOP:  
PRODUCTION DATE:  
PRODUCT CODE: CL684-\*-\*53  
PART NUMBER: DF40JC-\*DS-0.4V(53)  
NUMBER OF PIECES: 200 PIECES  
SUPPLIER NAME: HIROSE ELECTRIC CO., LTD.
  - 12 AFTER PACKING, ROLL 2 METERS OF THE REINFORCEMENT COLLAR TO OUTER CIRCUMFERENCE OF TAPE AND REEL POCKET, AND TAPE DOWN AT THE END THE COLLAR.

PART NO.	H	J	K	L	M	N
DF40JC-10DS-0.4V(53)	16	—	7.5	21.5	17.5	4.9
DF40JC-20DS-0.4V(53)	16	—	7.5	21.5	17.5	6.9
DF40JC-24DS-0.4V(53)	16	—	7.5	21.5	17.5	7.7
DF40JC-30DS-0.4V(53)	24	—	11.5	29.5	25.5	8.9
DF40JC-34DS-0.4V(53)	24	—	11.5	29.5	25.5	9.8
DF40JC-40DS-0.4V(53)	24	—	11.5	29.5	25.5	10.9
DF40JC-44DS-0.4V(53)	24	—	11.5	29.5	25.5	11.7
DF40JC-50DS-0.4V(53)	24	—	11.5	29.5	25.5	12.9
DF40JC-60DS-0.4V(53)	24	—	11.5	29.5	25.5	14.9
DF40JC-70DS-0.4V(53)	32	28.4	14.2	37.5	33.5	16.9
DF40JC-80DS-0.4V(53)	32	28.4	14.2	37.5	33.5	18.9
DF40JC-90DS-0.4V(53)	44	40.4	20.2	49.5	45.5	22.9
DF40JC-100DS-0.4V(53)	44	40.4	20.2	49.5	45.5	22.9



<b>HRS</b>	DRAWING NO.	EDC3-315629-02
	PART NO.	DF40JC-*DS-0.4V(53)
	CODE NO.	CL684
		△ 2/2