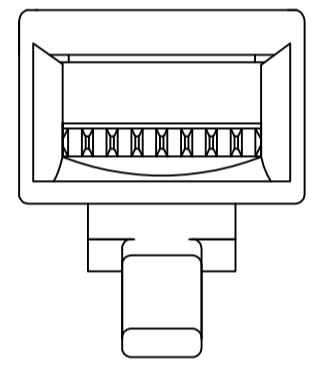
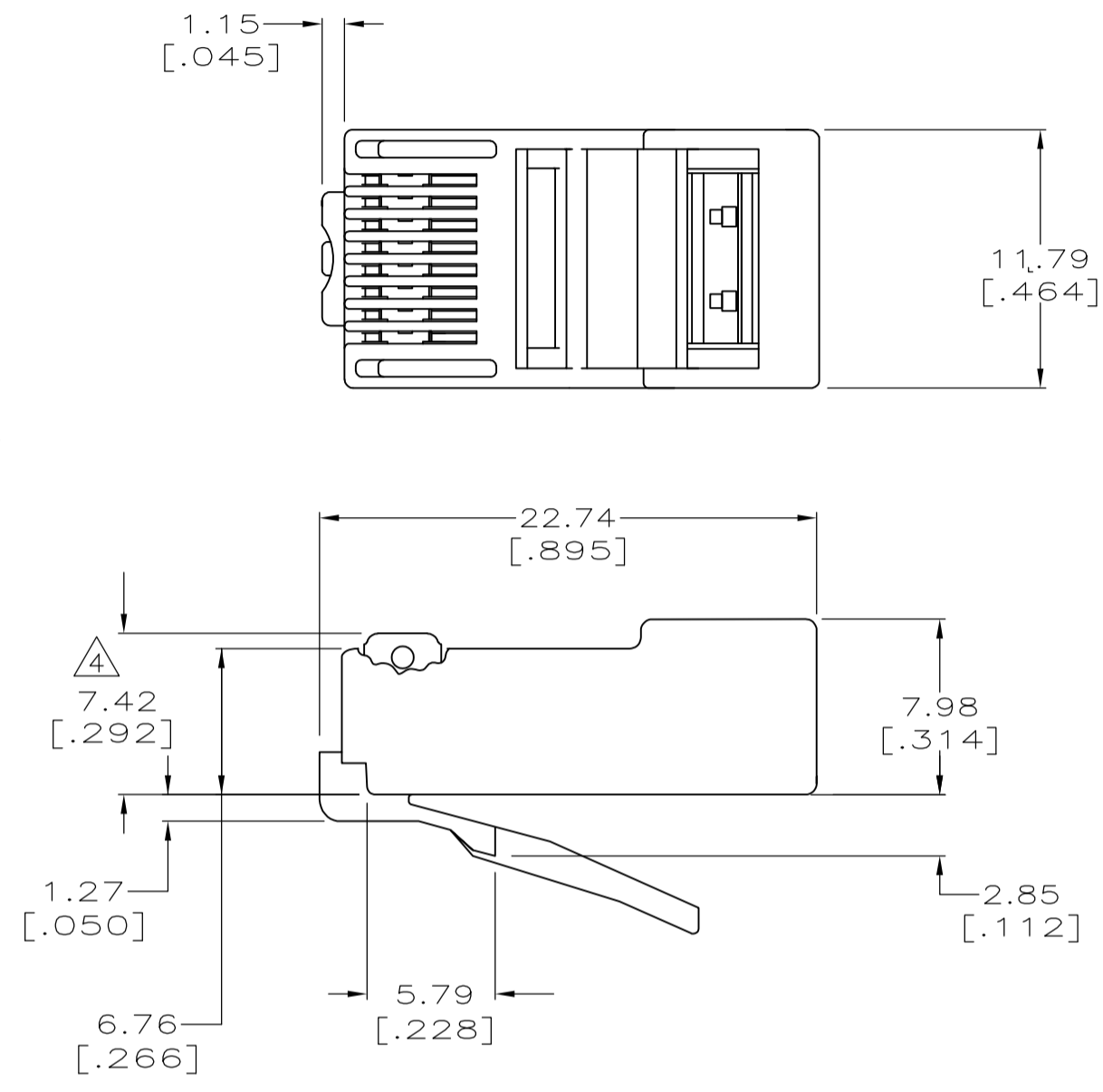
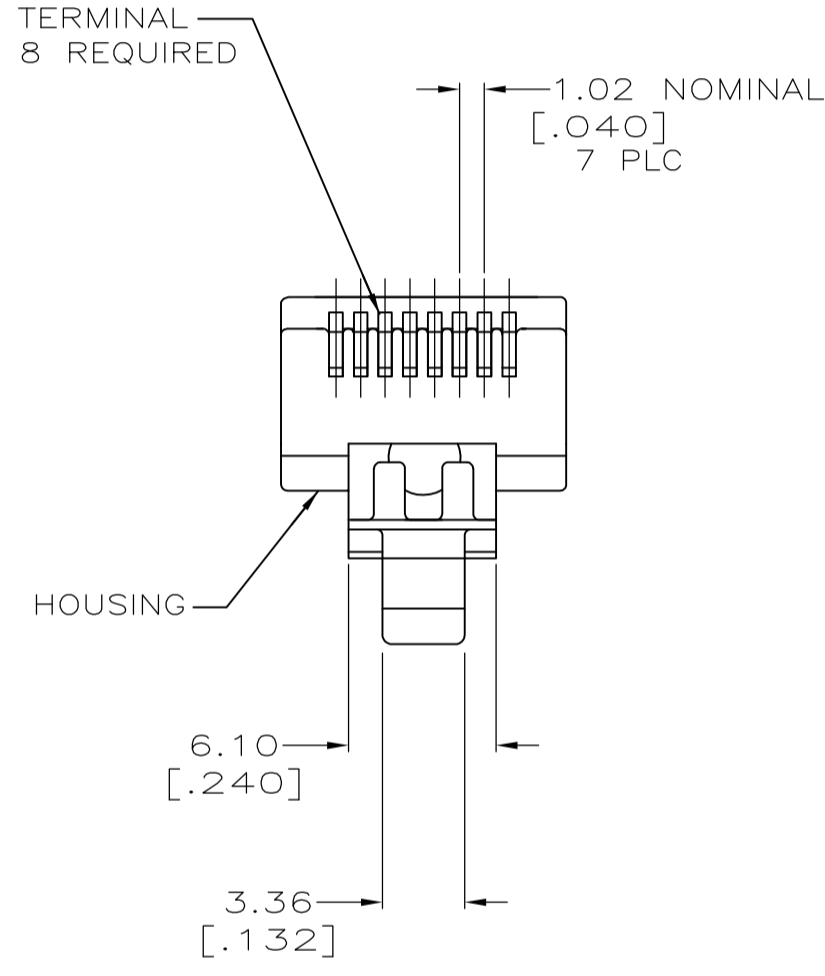


LOC		DIST		REVISIONS			
P	LTR	DESCRIPTION	DATE	DWN	APVD		
D		REV PER ECO-12-012918	05JUL2012	JM	JG		



- 1. DIMENSIONS ARE MAXIMUM UNLESS OTHERWISE SPECIFIED.
- 2. MATERIAL: HOUSING- POLYCARBONATE, CLEAR
 TERMINAL- PHOSPHOR BRONZE, PLATED WITH 1.27µm [.000050] MINIMUM THICK GOLD IN LOCALIZED GOLD PLATE AREA, OVER 2.54µm [.000100] MINIMUM THICK NICKEL UNDERPLATE.
- 3. PLUG WILL ACCEPT 26 OR 28 AWG STRANDED WIRE, 0.74-0.99 [.029-.039] DIAMETER.
- 4. TERMINATED DIMENSION 6.15 [.242] MAXIMUM.
- 5. 10,000 ASSEMBLIES PER PACKAGE.
- 6. 500 ASSEMBLIES PER PACKAGE.
- 7. 100 ASSEMBLIES PER PACKAGE.

7	5-557961-3
6	5-557961-2
5	5-557961-1

THIS DRAWING IS A CONTROLLED DOCUMENT.		DWN B. SIMPSON 4-22-93	Tyco Electronics Corporation Harrisburg, PA 17105-3608																		
DIMENSIONS: mm [INCHES]		CHK C. WHITT 4-30-93	NAME MCCRATH/HAWKINS																		
TOLERANCES UNLESS OTHERWISE SPECIFIED:		APVD 5-5-93	PRODUCT SPEC																		
<table border="0"> <tr><td>0 PLC</td><td>± -</td><td>1</td></tr> <tr><td>1 PLC</td><td>± -</td><td>1</td></tr> <tr><td>2 PLC</td><td>± -</td><td>1</td></tr> <tr><td>3 PLC</td><td>± -</td><td>1</td></tr> <tr><td>4 PLC</td><td>± -</td><td>1</td></tr> <tr><td>ANGLES</td><td>± -</td><td>1</td></tr> </table>		0 PLC	± -	1	1 PLC	± -	1	2 PLC	± -	1	3 PLC	± -	1	4 PLC	± -	1	ANGLES	± -	1	APPLICATION SPEC	
0 PLC	± -	1																			
1 PLC	± -	1																			
2 PLC	± -	1																			
3 PLC	± -	1																			
4 PLC	± -	1																			
ANGLES	± -	1																			
MATERIAL	FINISH	WEIGHT	SIZE A2	CAGE CODE 00779																	
			DRAWING NO 557961																		
CUSTOMER DRAWING			RESTRICTED TO																		
		SCALE 4:1	SHEET 1 OF 1	REV D																	

557961