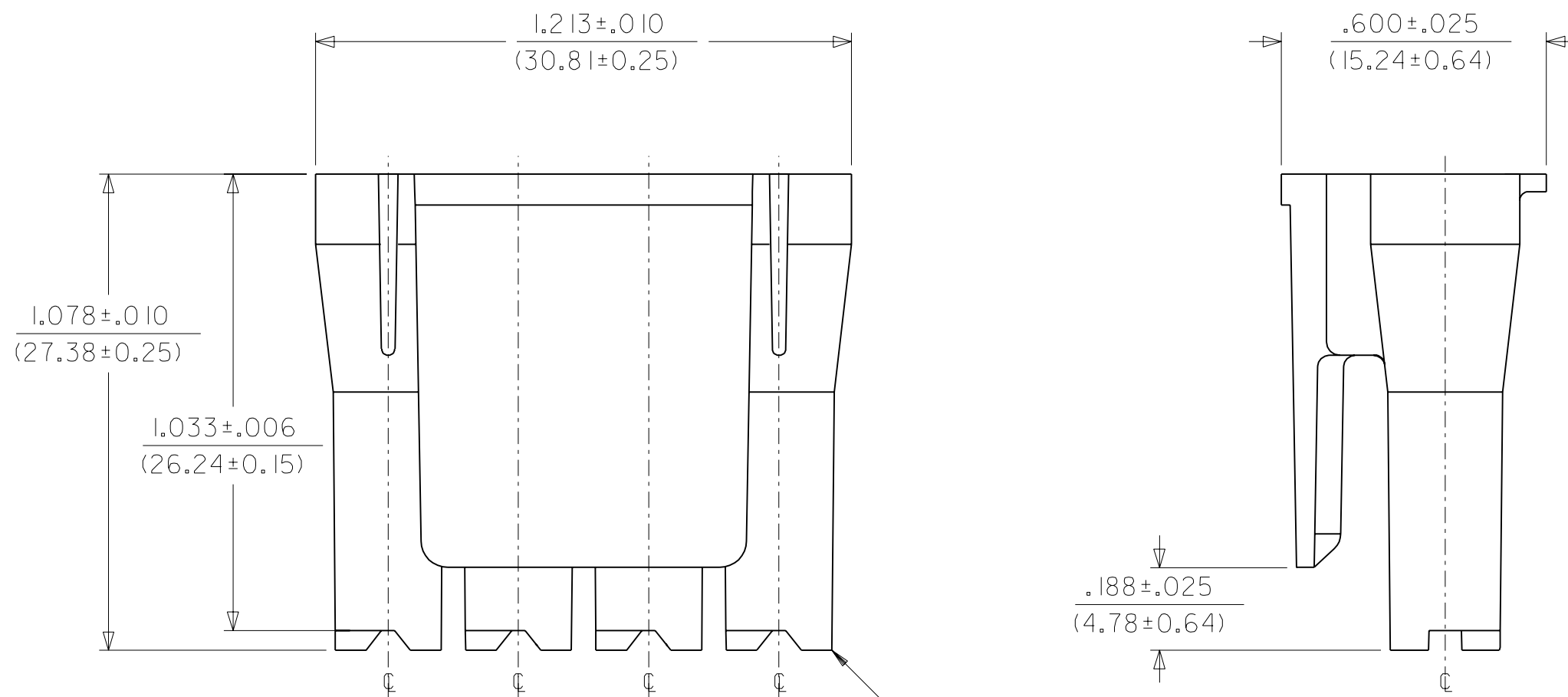
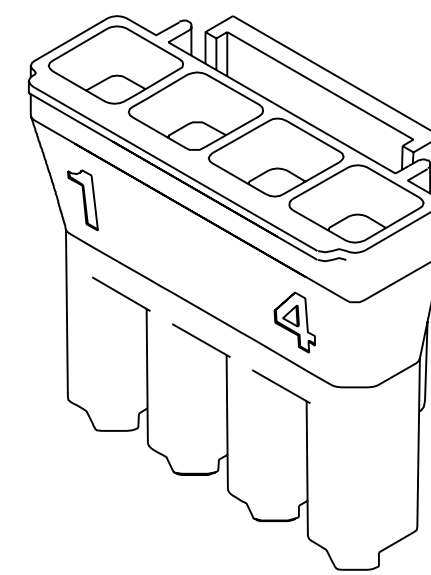
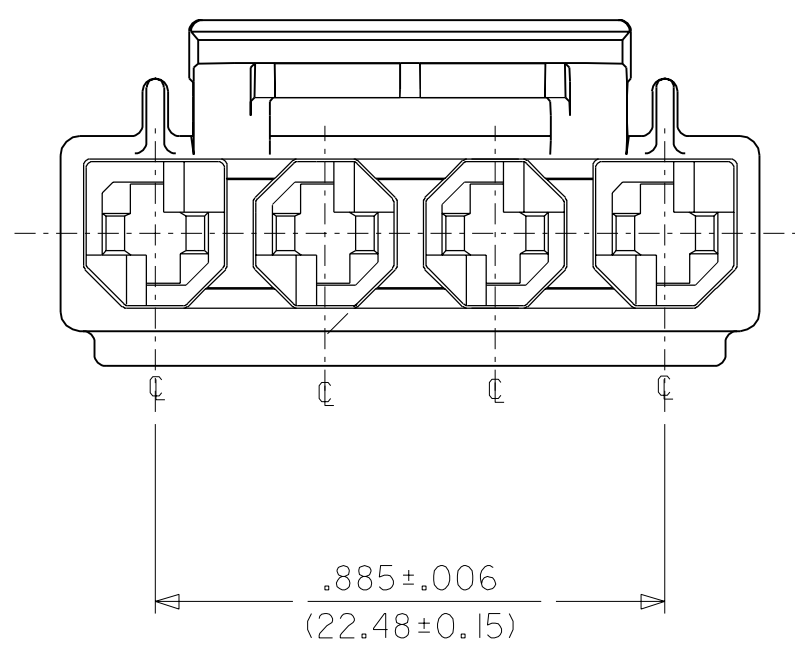


### NOTES:

1. MATERIAL: PA66, UL94V-2, COLOR: NATURAL (TRANSLUCENT)
2. THIS CONNECTOR HOUSING FOR USE WITH 43375-\*\*\*\* TERMINALS.
3. THIS CONNECTOR HOUSING WILL MATE TO A-43160-\*\*\*\*4, 43180-\*\*\*\*4, AND 43680-\*\*\*\*4 HOUSINGS.
4. PRODUCT SPECIFICATION: PSX-44441-9999.
5. PACKAGING: PK-44441-001.



CIRCUIT 1



44441-1004  
(NO SCALE)

A1	ADD V-2 TO TITLE UCP 2004-2000 BW 9-20-04
A	RELEASED PER UCR2001-0005 ES 00-07-03

MFG.	SH.	REV.	LTR.	REVISIONS
------	-----	------	------	-----------

DIMENSIONS SHOWN (METRIC) INCH		▽ = 0		◼ = 0		REVISE ONLY ON CAD SYSTEM	
UNLESS OTHERWISE SPECIFIED TOLERANCES: ANGULAR ± 1/2°							
		INCH		METRIC			
3 PLACE	± .005	---		---			
2 PLACE	± .01	± 0.13		---			
1 PLACE	---	± 0.25		---			
DRAFT WHERE APPLICABLE MUST REMAIN WITHIN DIMENSIONS							
DRWG. BY	ES	CHK'D. BY	RE	MOLEX INCORPORATED		SHEET NO.	DATE
APP'D. BY	RE	SCALE	3: 1	LISLE, ILL. 60532 U.S.A.		1 OF 1	00/07/03
PART NO.		DRWG. NO.					
44441-1004		SD-44441-1004					
FILE NAME		THIS DRAWING CONTAINS INFORMATION THAT IS PROPRIETARY TO MOLEX INC. AND SHOULD NOT BE USED WITHOUT WRITTEN PERMISSION.					
				CP	C		