

1 0 1 0 4 9 9 9 - X 0 E - X X X L F

8-COLUMN DIFFERENTIAL SIGNAL

LEAD-FREE DESIGNATION ONLY WITH APPLICABLE PLATING CODES

LETTER	PERFORMANCE-BASED PLATING (SEE NOTE 2)	
	TARGET APPLICATION	LEAD FREE (LF)
B	TELCORDIA CO	NO
C	TELCORDIA UE	NO
D	TELCORDIA CO	YES
E	TELCORDIA UE	YES

NUMBER	PIN STYLE, HEIGHT
0	STANDARD GUIDE PIN MACHINED, 31.6mm

MODULE DESCRIPTION	LETTER DESIGNATION REPRESENTED IN DASH NUMBER										BASE MODULE
LEFT POLARIZING GUIDANCE MODULE (SEE SHEET 3)	J	A	B	C	D	E	F	G	H		
RIGHT POLARIZING GUIDANCE MODULE (SEE SHEET 4)	Y	P	Q	R	S	T	U	V	W		
OPEN MODULE (TWO WALL) (SEE SHEET 2)	0 (ZERO)										
LEFT WALL MODULE (SEE SHEET 5)	L										
RIGHT WALL MODULE (SEE SHEET 6)	M										
FOUR WALL MODULE (SEE SHEET 7)	1										

NUMBER	CONTACT MATING WIPE LENGTH		COMPLIANT PIN DRILL SIZE
	SIGNAL	WIDE GROUND	
1	2	4	Ø0.55 [0.0217"]
2	3	4	Ø0.55 [0.0217"]
3	2	4	Ø0.45 [0.0177"]
4	3	4	Ø0.45 [0.0177"]
5	2	3	Ø0.55 [0.0217"]
6	3	3	Ø0.55 [0.0217"]
7	2	3	Ø0.45 [0.0177"]
8	3	3	Ø0.45 [0.0177"]

	GROUNDED	UNGROUNDED
FINISHED	Ø2.35-2.55	Ø2.35-2.55
PAD	Ø5.50	N/A
PLATED	YES	NO
DRILL (mm/in)	2.58 / .1015	2.44 / .096

SCREW P/N	DESCRIPTION	BOARD THICKNESS
10091790-002LF	#2-56 X .375" PHILLIPS PANHEAD W/SQ CONICAL WASHER	1.60 - 5.00
10091790-003LF	#2-56 X .500" PHILLIPS PANHEAD W/SQ CONICAL WASHER	5.00 - 10.00

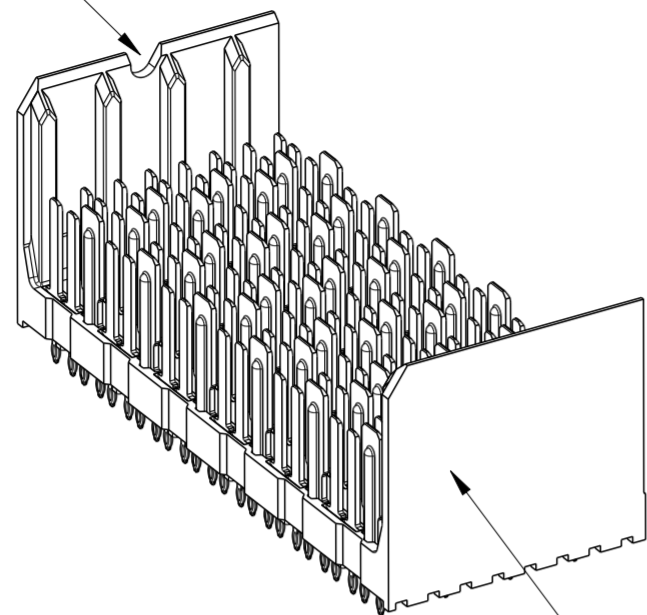
spec ref	SEE NOTES	dr	Kok-Hoe Lee	2010/06/24	projection	MM	size	A2	scale	4:1	
tolerance std	ASME Y14.5	eng	Michael Song	2016/06/06	chr	Heaven Cen	2016/06/08	ecn no	ELX-DG-24191-1	rel level	Released
surface	linear	appr	Pai-Ming Zheng	2016/06/15	product family	XCode	cat. no.	SEE P/N TREE	Product - Customer Drw	sheet 1 of 8	
ASME Y14.5	angular	0°	±	Amphenol FCI	MODULE ASSEMBLY	10104999	rev	E			

Amphenol FCI

© 2016 AFCI

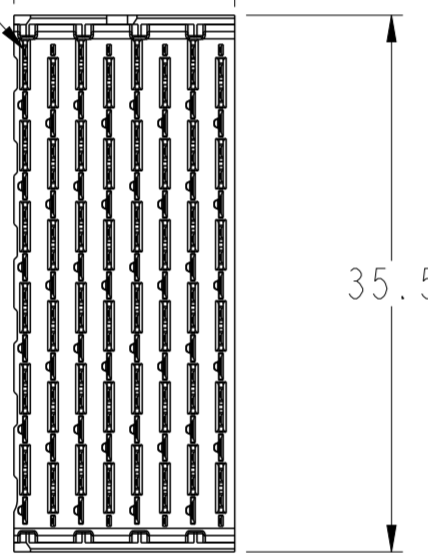
OPEN (2-WALL) MODULE

SEE NOTE 8



SEE NOTE 5

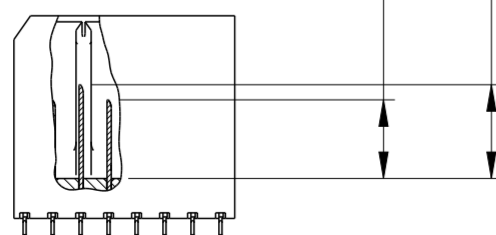
POSN A1 (14.75 MAX)



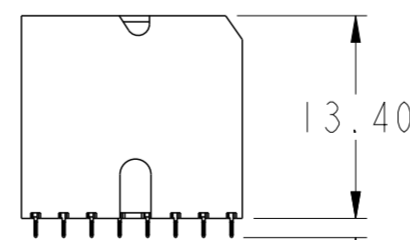
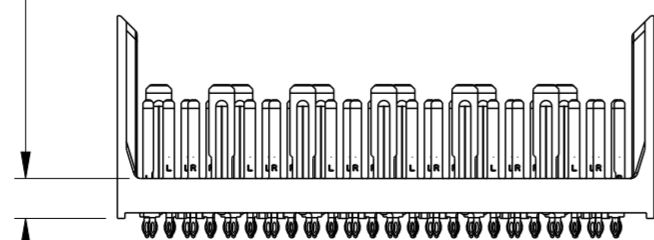
35.5

- 6.2 (4MM WIPE WIDE GROUNDS)
- 5.2 (3MM WIPE WIDE GROUNDS)
- 5.2 (3MM SMALL END GROUNDS)
- 5.2 (3MM WIPE SIGNALS)
- 4.2 (2MM WIPE SIGNALS)

(SEE P/N TREE FOR ALL COMBINATIONS AVAILABLE)

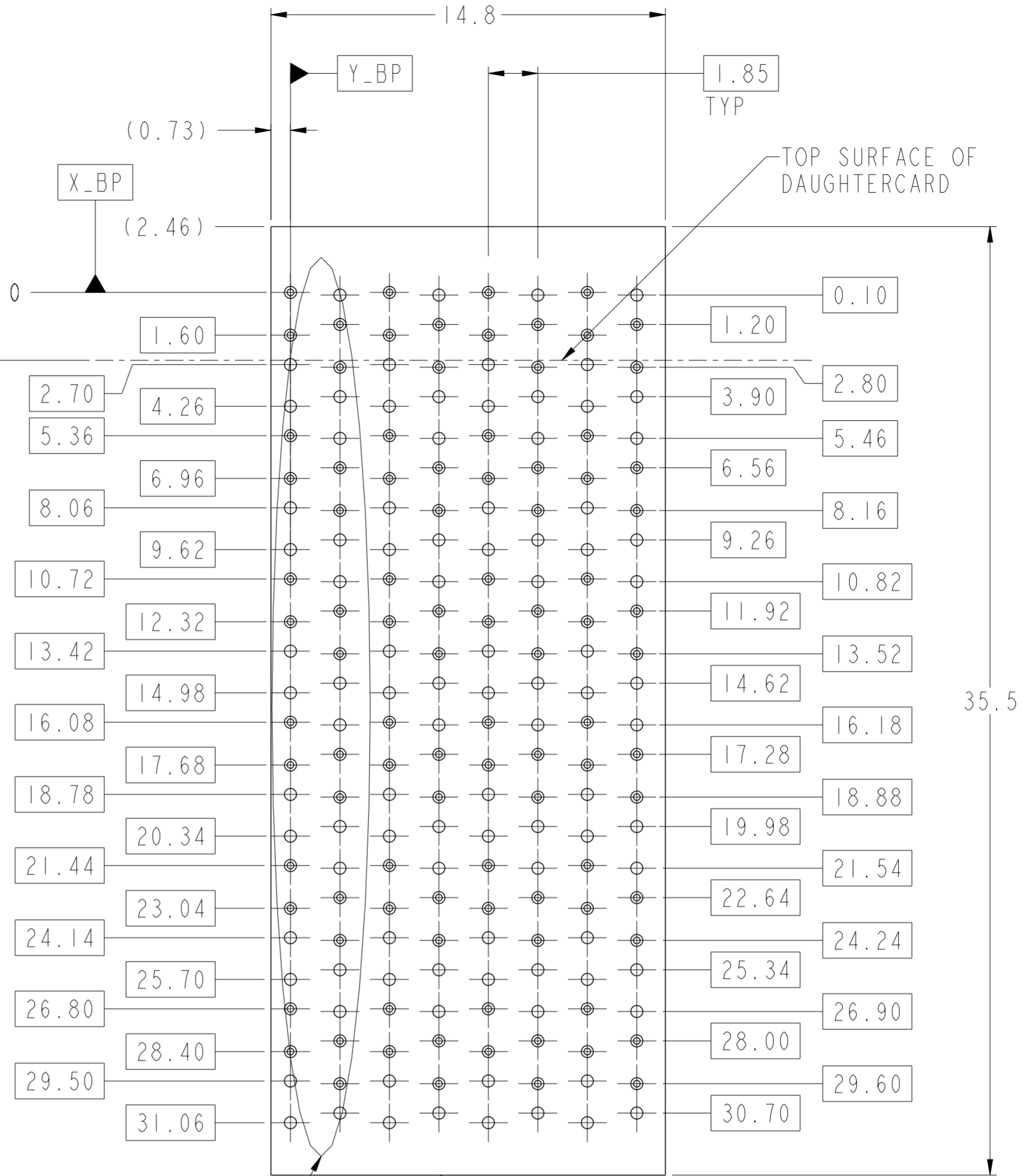


2.64±0.10 FROM STANDOFF SURFACE TO MATING SURFACE



TAIL LENGTH SEE NOTE 12

2.54 TO TOP SURFACE OF DAUGHTERCARD



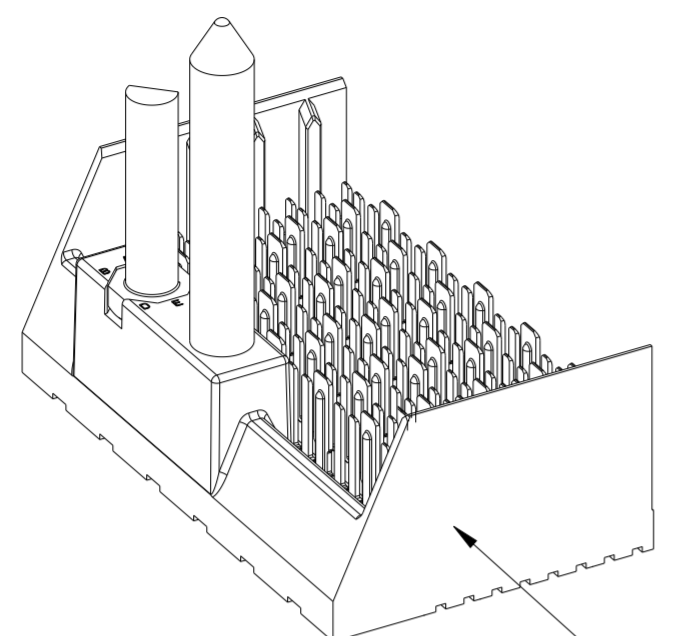
SEE DETAIL A (SHEET 8)

NOMINAL MODULE OUTLINE

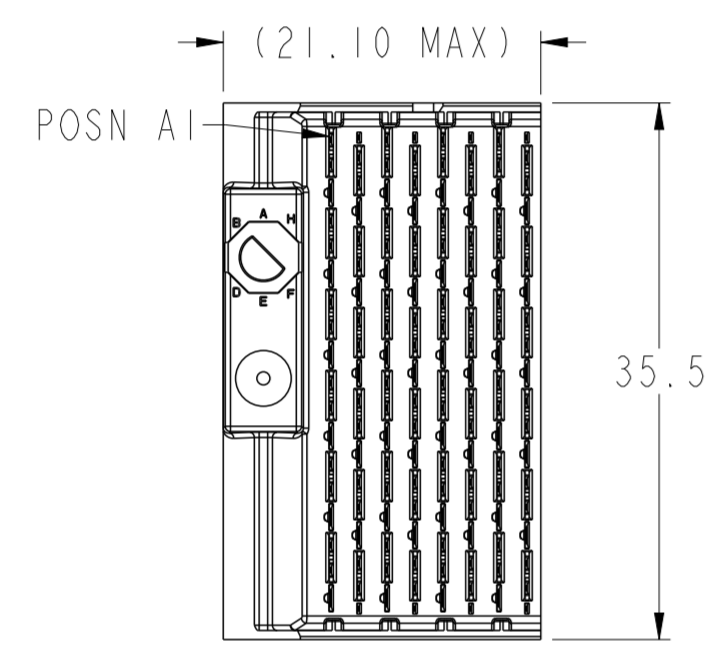
PCB HOLE PATTERN COMPONENT SIDE SCALE 6:1

spec ref	SEE NOTES	dr	Kok-Hoe Lee	2010/06/24	projection	MM	size	A2	scale	3:1
tolerance std	TOLERANCES UNLESS OTHERWISE SPECIFIED	eng	Michael Song	2016/06/06			ecn no	ELX-DG-24191-1	rel level	Released
ASME Y14.5		chr	Heaven Cen	2016/06/08						
surface	linear	0.X	±0.2		MODULE ASSEMBLY VERTICAL HEADER, 8-COLUMN, 6-PAIR	cat. no. SEE P/N TREE	Product - Customer Drw	sheet 2 of 8	rev E	
		0.XX	±0.10							
		0.XXX	±0.050							
ASME Y14.5	angular	0°	±°							

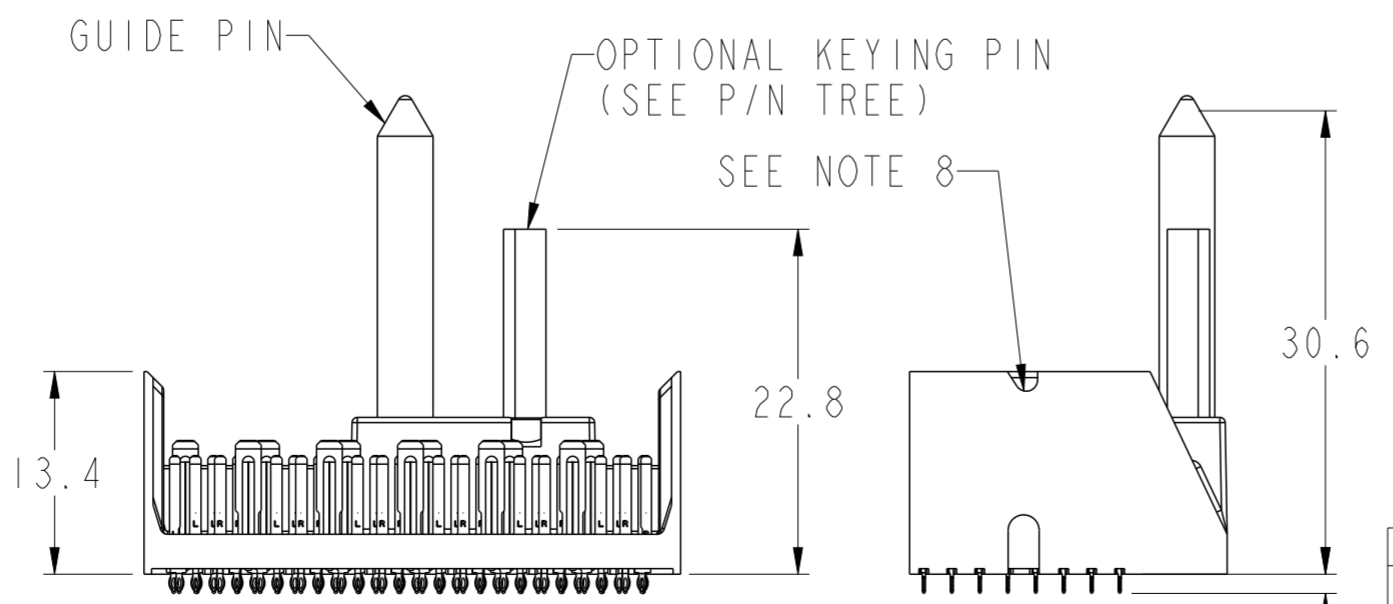
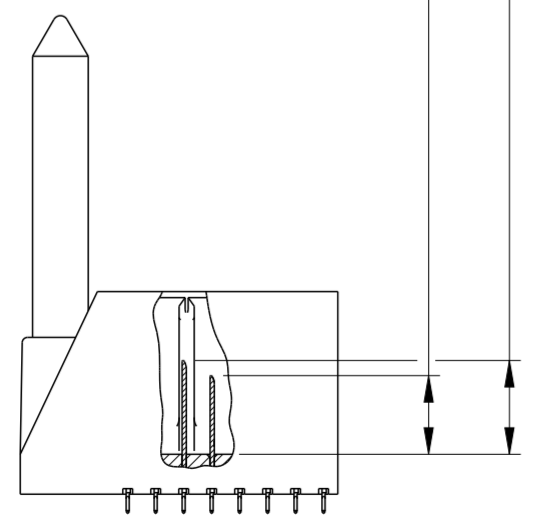
LEFT POLARIZING/GUIDE MODULE



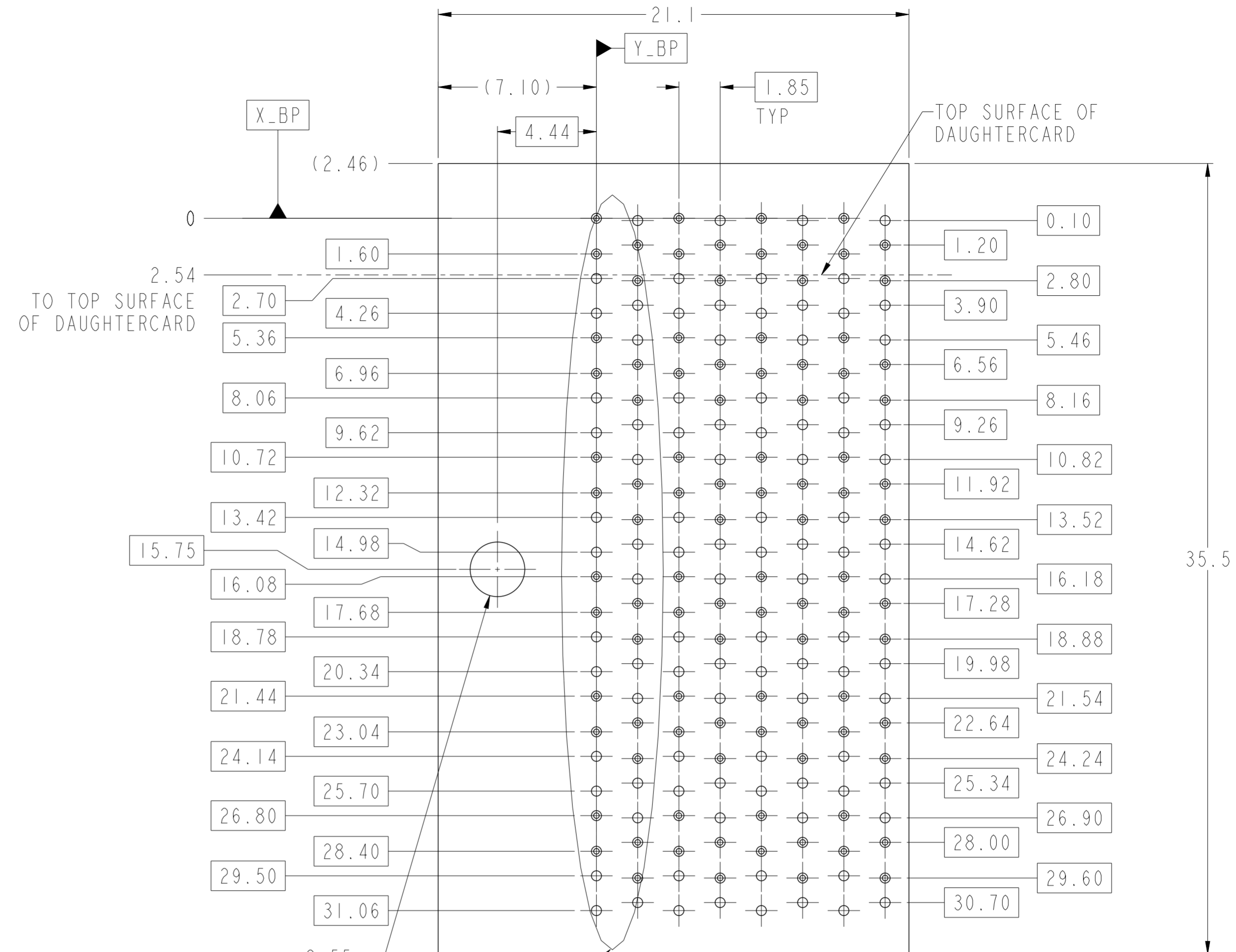
SEE NOTE 5



- 6.2 (4MM WIPE WIDE GROUNDS)
 - 5.2 (3MM WIPE WIDE GROUNDS)
 - 5.2 (3MM SMALL END GROUNDS)
 - 5.2 (3MM WIPE SIGNALS)
 - 4.2 (2MM WIPE SIGNALS)
- (SEE P/N TREE FOR ALL COMBINATIONS AVAILABLE)



TAIL LENGTH
SEE NOTE 12



\varnothing 0.10	X_BP	Y_BP
--------------------	------	------

SEE NOTE 11 & TABLE 1

SEE DETAIL A
(SHEET 8)

PCB HOLE PATTERN
COMPONENT SIDE
SCALE 6:1

spec ref	SEE NOTES	dr	Kok-Hoe Lee	2010/06/24	projection	MM	size	A2	scale	3:1
tolerance std	TOLERANCES UNLESS OTHERWISE SPECIFIED	eng	Michael Song	2016/06/06			ecn no	ELX-DG-24191-1	rel level	Released
ASME Y14.5		chr	Heaven Cen	2016/06/08						
surface	linear	0.X	±0.2		MODULE ASSEMBLY VERTICAL HEADER, 8-COLUMN, 6-PAIR	cat. no. SEE P/N TREE	Product - Customer Drw	sheet 3 of 8	rev E	
		0.XX	±0.10							
ASME Y14.5	angular	0°	±							

PDS: Rev :E

STATUS:Released

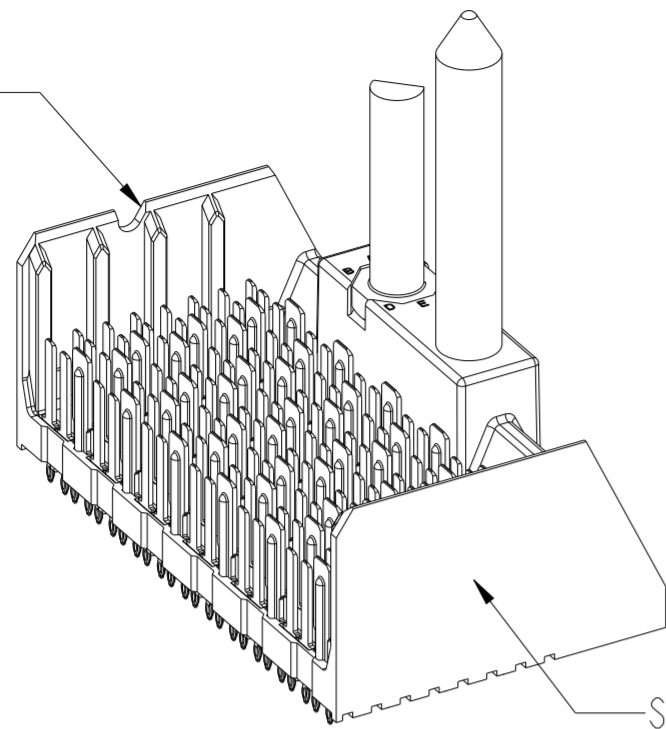
Printed: Jun 15, 2016

Amphenol FCI

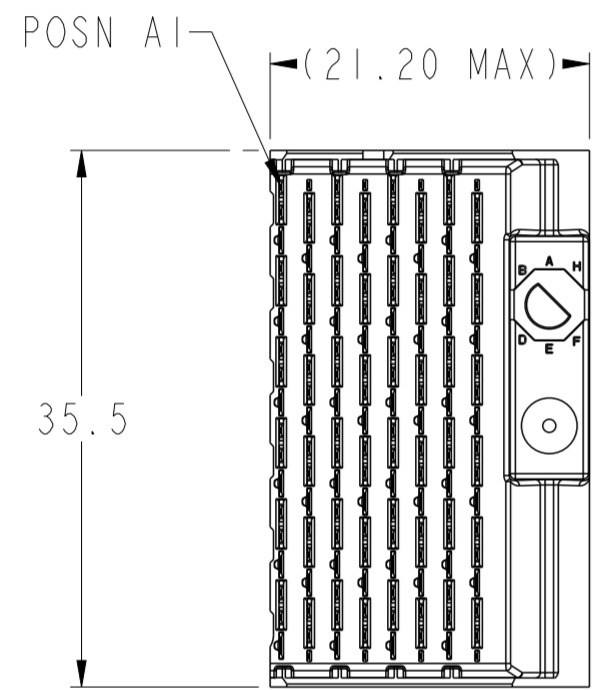
© 2016 AFCI

RIGHT POLARIZING/GUIDE MODULE

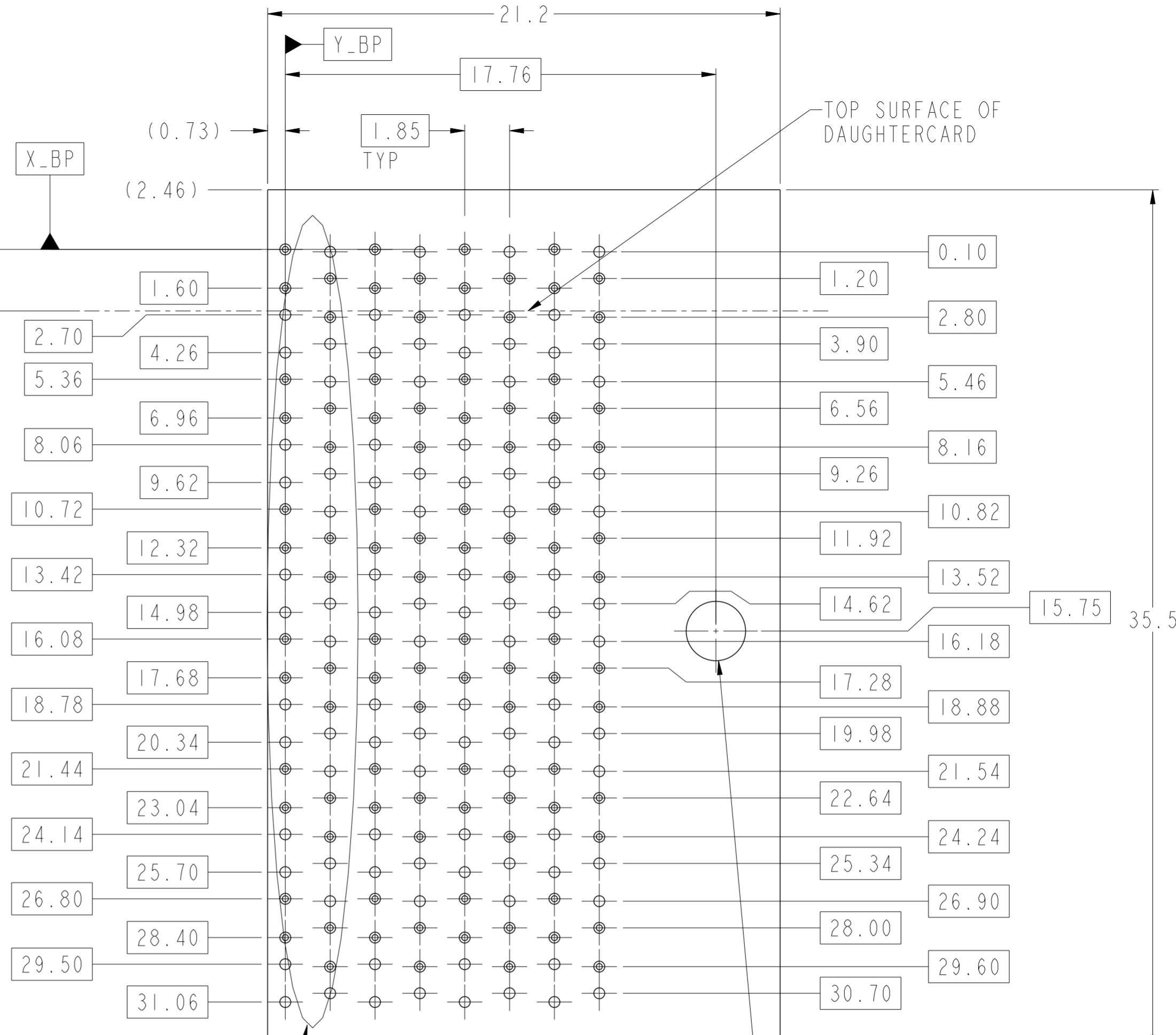
SEE NOTE 8



SEE NOTE 5



2.54
TO TOP SURFACE
OF DAUGHTERCARD



SEE DETAIL A
(SHEET 8)

NOMINAL MODULE OUTLINE
PCB HOLE PATTERN
COMPONENT SIDE
SCALE 6:1

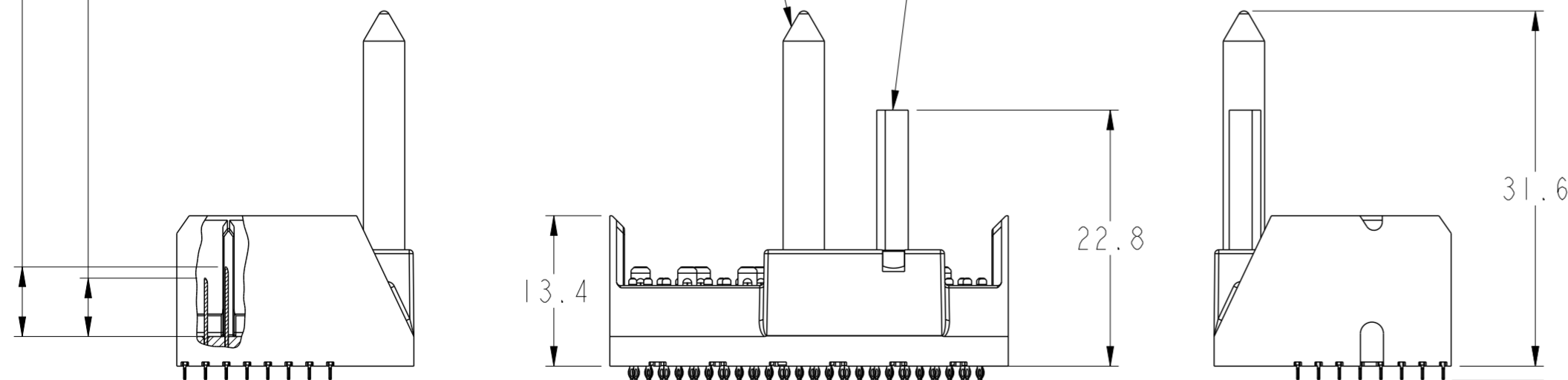
Ø 2.55
Ø 2.35
⊕ Ø 0.10 X_BP Y_BP
SEE NOTE 11 & TABLE 1

6.2 (4MM WIPE WIDE GROUNDS)
5.2 (3MM WIPE WIDE GROUNDS)

5.2 (3MM SMALL END GROUNDS)
5.2 (3MM WIPE SIGNALS)
4.2 (2MM WIPE SIGNALS)

(SEE P/N TREE FOR
ALL COMBINATIONS AVAILABLE)

GUIDE PIN
OPTIONAL KEYING PIN
(SEE P/N TREE)

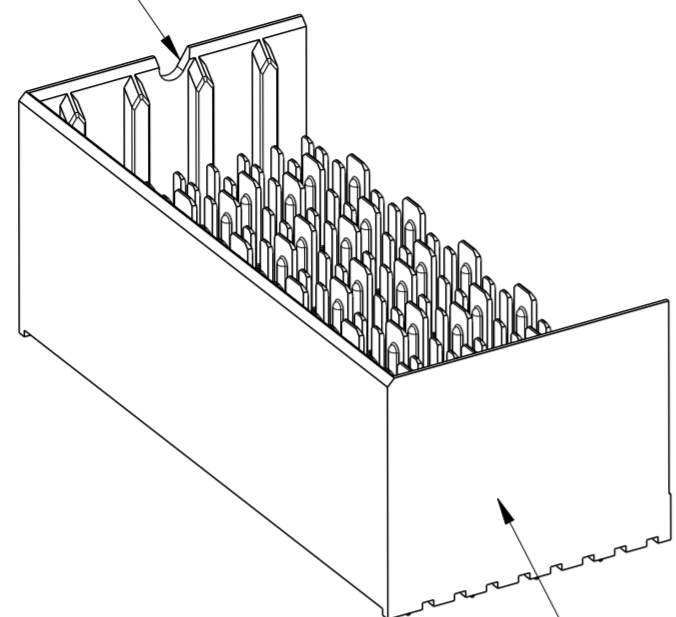


TAIL LENGTH
SEE NOTE 12

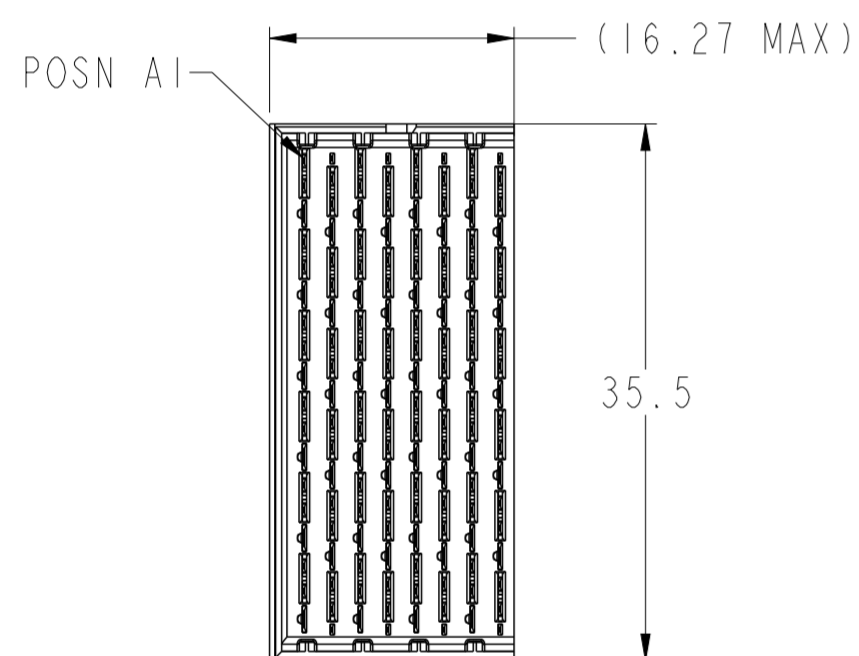
spec ref	SEE NOTES	dr	Kok-Hoe Lee	2010/06/24	projection	MM	size	A2	scale	3:1
tolerance std	TOLERANCES UNLESS OTHERWISE SPECIFIED	eng	Michael Song	2016/06/06			ecn no	ELX-DG-24191-1	rel level	Released
ASME Y14.5		chr	Heaven Cen	2016/06/08						
surface	linear	0.X	±0.2		MODULE ASSEMBLY VERTICAL HEADER, 8-COLUMN, 6-PAIR	cat. no. SEE P/N TREE	Product - Customer Drw	sheet 4 of 8	rev E	
		0.XX	±0.10							
		0.XXX	±0.050							
ASME Y14.5	angular	0°	±							

LEFT WALL MODULE

SEE NOTE 8



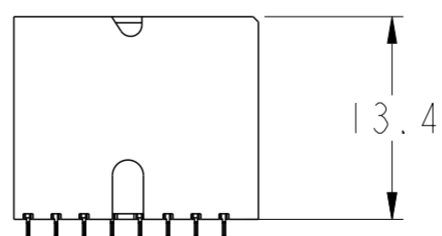
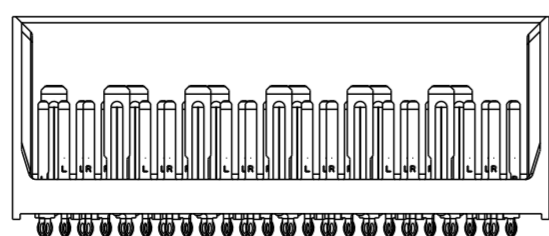
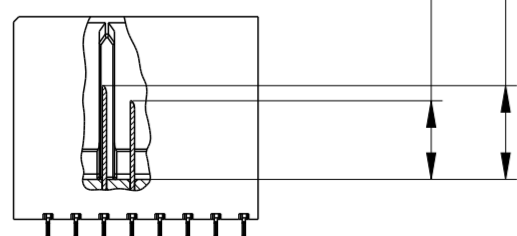
SEE NOTE 5



SCALE 2:1

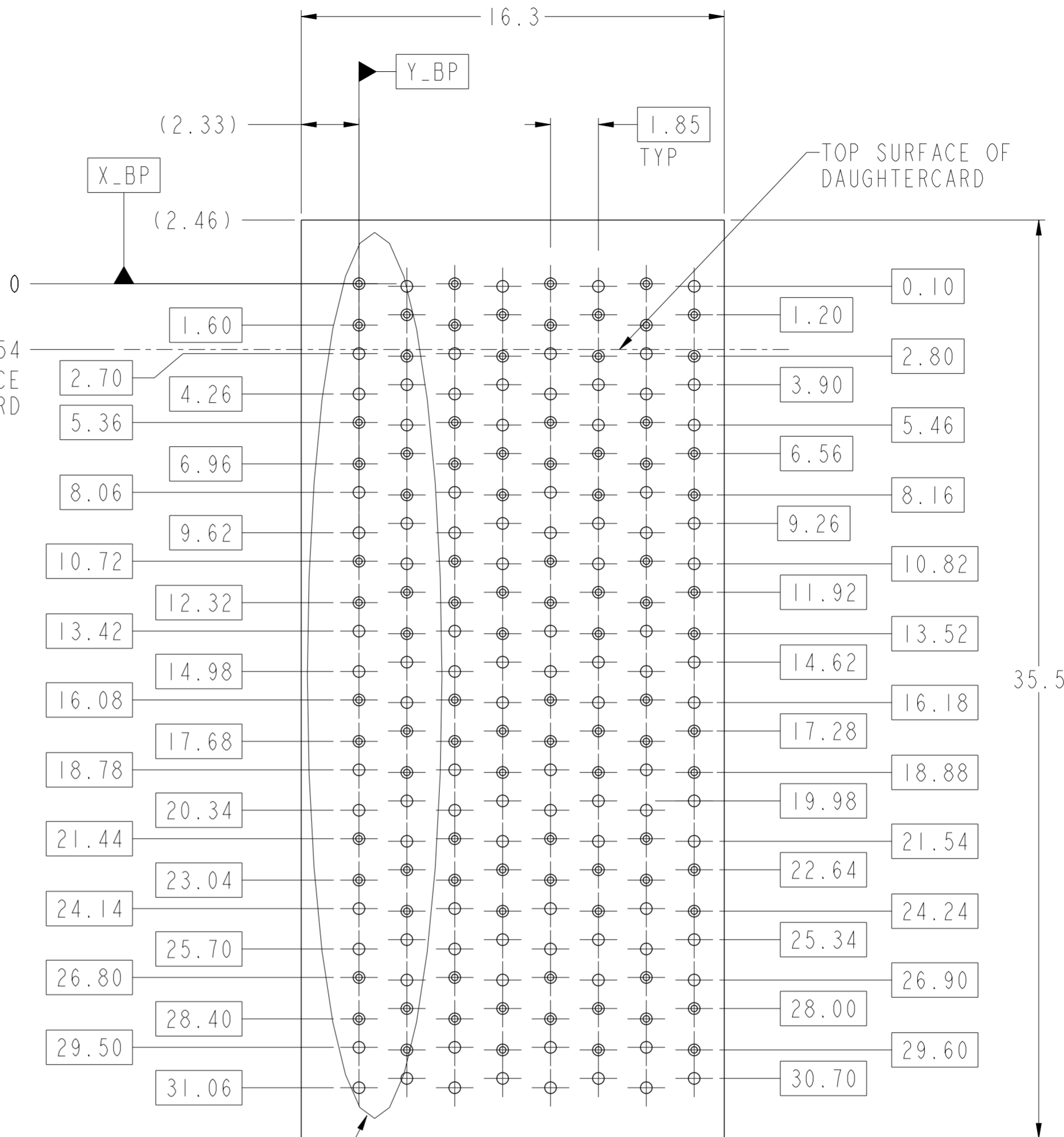
- 6.2 (4MM WIPE WIDE GROUNDS)
- 5.2 (3MM WIPE WIDE GROUNDS)
- 5.2 (3MM SMALL END GROUNDS)
- 5.2 (3MM WIPE SIGNALS)
- 4.2 (2MM WIPE SIGNALS)

(SEE P/N TREE FOR ALL COMBINATIONS AVAILABLE)



TAIL LENGTH
SEE NOTE 12

2.54
TO TOP SURFACE
OF DAUGHTERCARD



SEE DETAIL A
(SHEET 8)

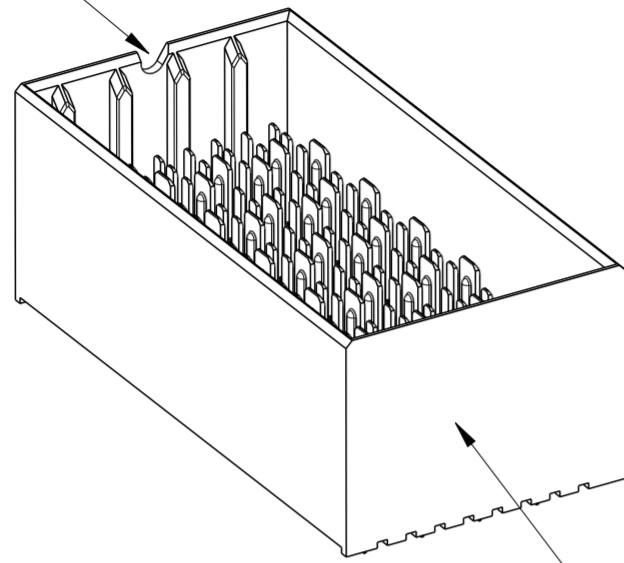
NOMINAL MODULE OUTLINE

PCB HOLE PATTERN
COMPONENT SIDE
SCALE 6:1

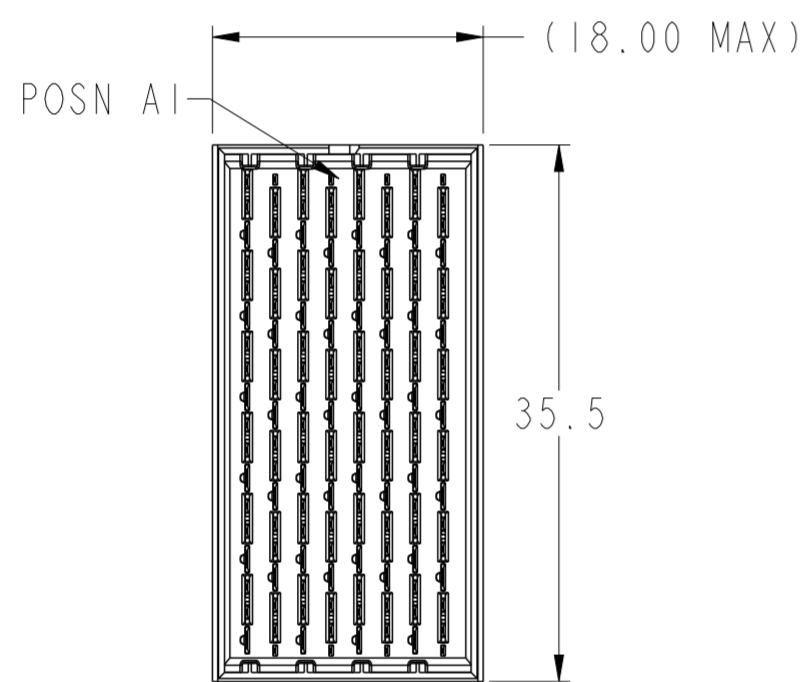
spec ref	SEE NOTES	dr	Kok-Hoe Lee	2010/06/24	projection	MM	size	A2	scale	3:1	
tolerance std	TOLERANCES UNLESS OTHERWISE SPECIFIED	eng	Michael Song	2016/06/06			ecn no	ELX-DG-24191-1	rel level	Released	
ASME Y14.5		chr	Heaven Cen	2016/06/08							product family
surface	linear	0.X	±0.2		MODULE ASSEMBLY VERTICAL HEADER, 8-COLUMN, 6-PAIR	cat. no.	SEE P/N TREE	Product - Customer Drw	sheet 5 of 8	rev	E
		0.XX	±0.10							dwg no	10104999
ASME Y14.5	angular	0°	±°							title	10104999

FOUR WALL MODULE

SEE NOTE 8

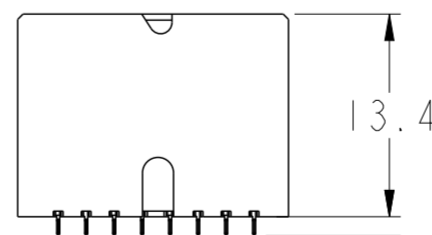
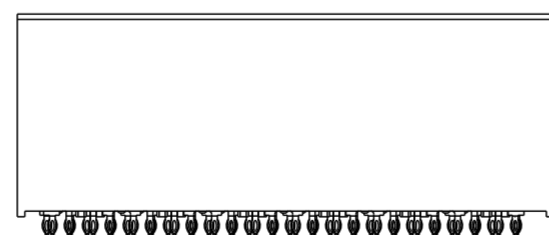
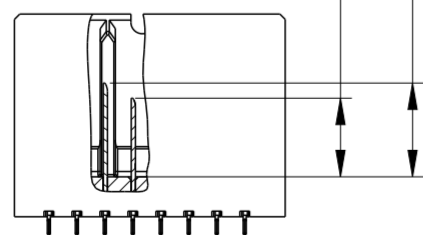


SEE NOTE 5

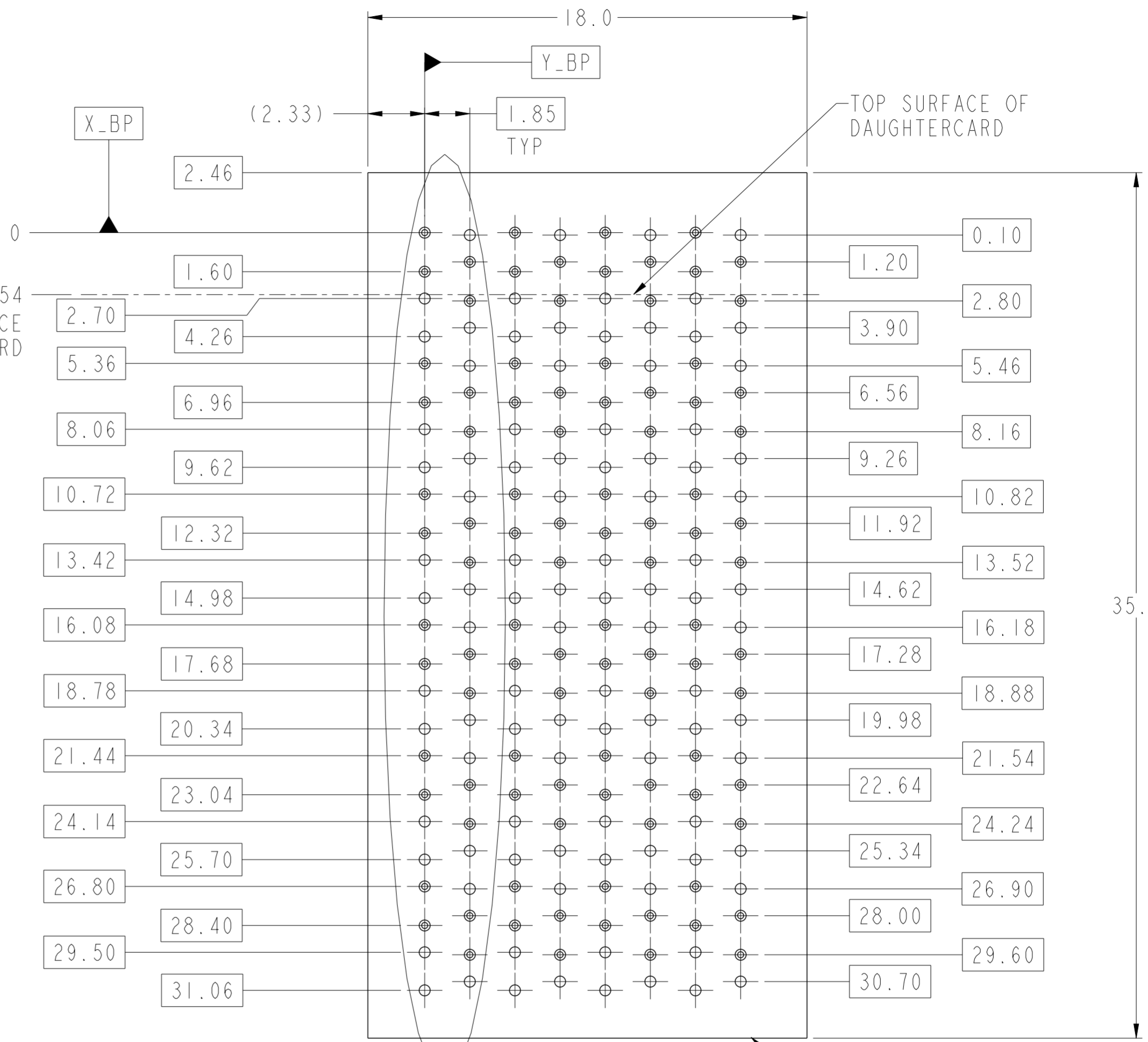


- 6.2 (4MM WIPE WIDE GROUNDS)
- 5.2 (3MM WIPE WIDE GROUNDS)
- 5.2 (3MM SMALL END GROUNDS)
- 5.2 (3MM WIPE SIGNALS)
- 4.2 (2MM WIPE SIGNALS)

(SEE P/N TREE FOR ALL COMBINATIONS AVAILABLE)



TAIL LENGTH
SEE NOTE 12



SEE DETAIL A
(SHEET 8)

PCB HOLE PATTERN
COMPONENT SIDE
SCALE 6:1

NOMINAL MODULE OUTLINE

spec ref	SEE NOTES	dr	Kok-Hoe Lee	2010/06/24	projection	MM	size	A2	scale	3:1	
tolerance std	TOLERANCES UNLESS OTHERWISE SPECIFIED	eng	Michael Song	2016/06/06			ecn no	ELX-DG-24191-1	rel level	Released	
ASME Y14.5		chr	Heaven Cen	2016/06/08							
		appr	Pai-Ming Zheng	2016/06/15							
surface	linear	0.X	±0.2	Amphenol FCI		MODULE ASSEMBLY VERTICAL HEADER, 8-COLUMN, 6-PAIR		title cat. no.	product family SEE P/N TREE	Product - Customer Drw	sheet 7 of 8
		0.XX	±0.10								
		0.XXX	±0.050								
ASME Y14.5	angular	0°	±								

PDS: Rev :E

STATUS:Released

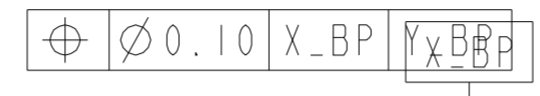
Printed: Jun 15, 2016

Amphenol FCI

© 2016 APCI

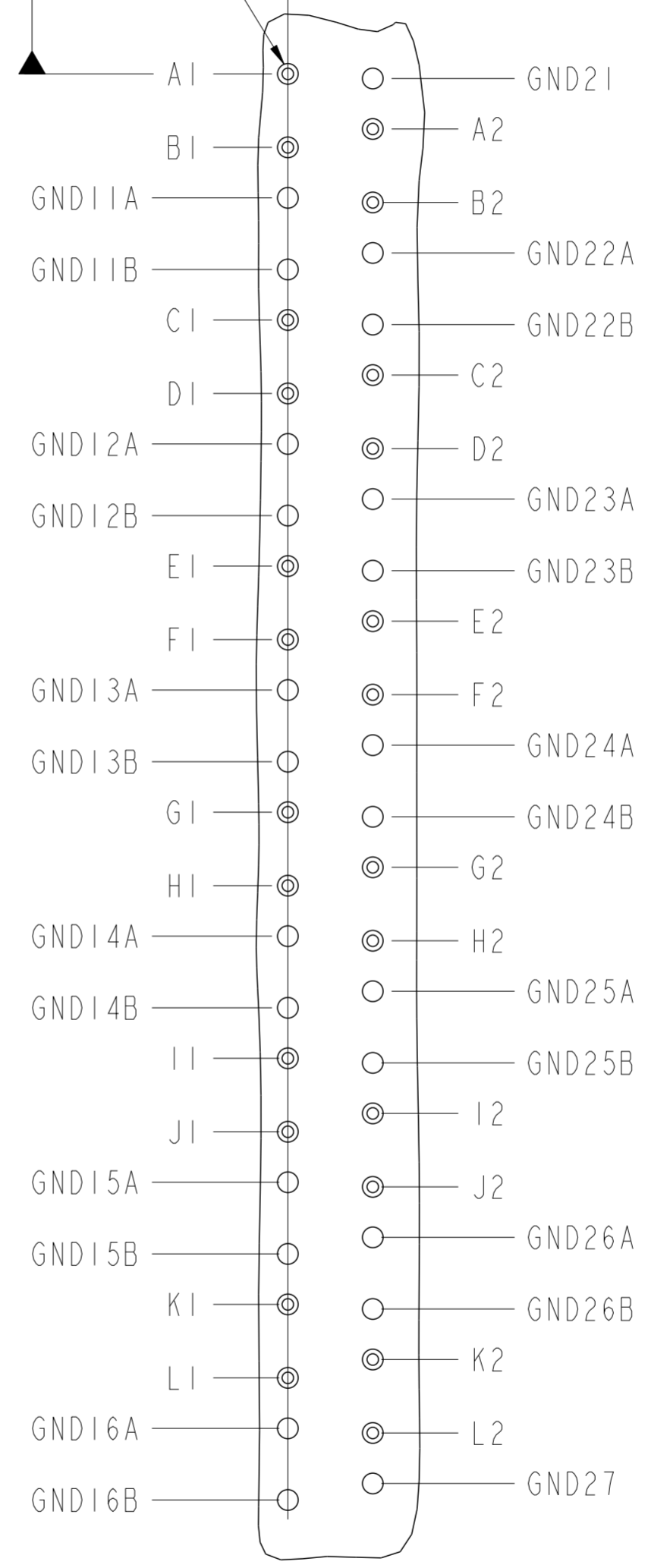
TABLE 3: PTH AND PAD SIZES WITH REFERENCE TO COMPLIANT PIN DRILL		
COMPLIANT PIN DRILL	PTH	PAD
Ø0.55 [0.0217"]	Ø0.45±0.05	Ø0.85
Ø0.45 [0.0177"]	Ø0.36±0.05	Ø0.75

REFER TABLE 3 FOR PTH, DRILL & PAD SIZES



NOTES:

1. CONNECTOR MATERIALS
SHROUD: HIGH-TEMP THERMOPLASTIC, GRAY, UL94V-0
CONTACTS: HIGH PERFORMANCE COPPER ALLOY
2. CONTACT PLATING:
SEPARABLE INTERFACE: PERFORMANCE-BASED PLATING, QUALIFIED TO MEET THE REQUIREMENTS OF FCI PRODUCT SPECIFICATION GS-12-588, INCLUDING TELCORDIA GR-1217-CORE (NOVEMBER 1995) CENTRAL OFFICE (CO) OR UNCONTROLLED ENVIRONMENT (UE) TEST SEQUENCE AS NOTED IN P/N TREE.
PRESS-FIT TAILS: TIN OVER NICKEL, OR TIN-LEAD ALLOY OVER NICKEL. SEE P/N TREE.
3. PRODUCT SPECIFICATION: GS-12-588
4. APPLICATION SPECIFICATION: GS-20-121
5. PRODUCT MARKING (PART NUMBER AND LOT CODE) ON THESE SURFACES.
6. HOUSING MUST WITHSTAND EXPOSURE TO 260°C PEAK TEMPERATURE FOR 40 SECONDS IN A CONVECTION, INFRA-RED, OR VAPOR-PHASE REFLOW OVEN.
7. PACKAGING MEETS GS-14-920 LEAD-FREE LABELING SPECIFICATION.
8. NOTCH INDICATES "ROW A" SIDE OF CONNECTOR.
9. SEE APPLICATION SPECIFICATION FOR ROUTING GUIDELINES, ADDITIONAL PTH GUIDELINES, MATED DIMENSIONS, GUIDE PN SELECTION, ETC.
10. SCREW IS OPTIONAL AND ENGAGES WITH BOTTOM OF GUIDE-PIN FROM BENEATH THE PCB FOR ADDITIONAL GUIDE-PIN SUPPORT.
11. OPTIONAL HOLE LOCATION FOR GROUNDED PIN OR ADDITIONAL GUIDE-PIN SUPPORT. SEE TABLE 1 ON SHEET 1 FOR ADDITIONAL DETAILS.
12. TAIL LENGTH=1.3mm FOR Ø0.55[0.0217"]COMPLIANT PIN DRILL
TAIL LENGTH=1.5mm FOR Ø0.45[0.0177"]COMPLIANT PIN DRILL



DETAIL A
SCALE 8:1

Amphenol FCI

© 2016 AFCI

spec ref	SEE NOTES	dr	Kok-Hoe Lee	2010/06/24	projection	MM	size	A2	scale	4:1
tolerance std	TOLERANCES UNLESS OTHERWISE SPECIFIED	eng	Michael Song	2016/06/06			ecn no	ELX-DG-24191-1	rel level	Released
ASME Y14.5		chr	Heaven Cen	2016/06/08						
		appr	Pai-Ming Zheng	2016/06/15						
surface	linear	0.X	±0.2	Amphenol FCI		MODULE ASSEMBLY VERTICAL HEADER, 8-COLUMN, 6-PAIR		dwg no 10104999	rev E	
		0.XX	±0.10							
		0.XXX	±0.050							
ASME Y14.5	angular	0°	±°	cat. no.	SEE P/N TREE	Product - Customer Drw	sheet 8 of 8			