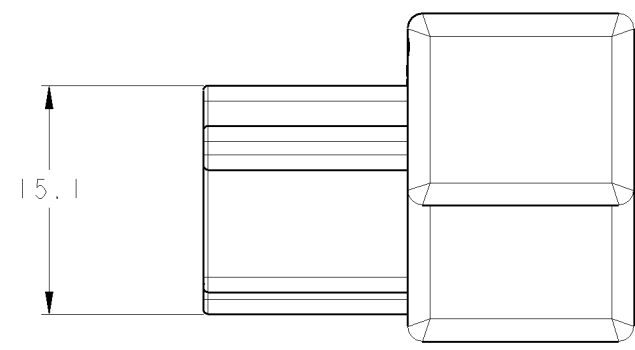
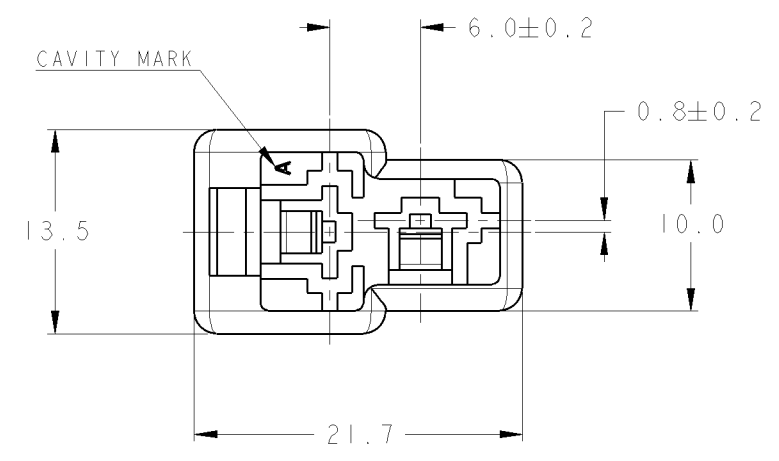
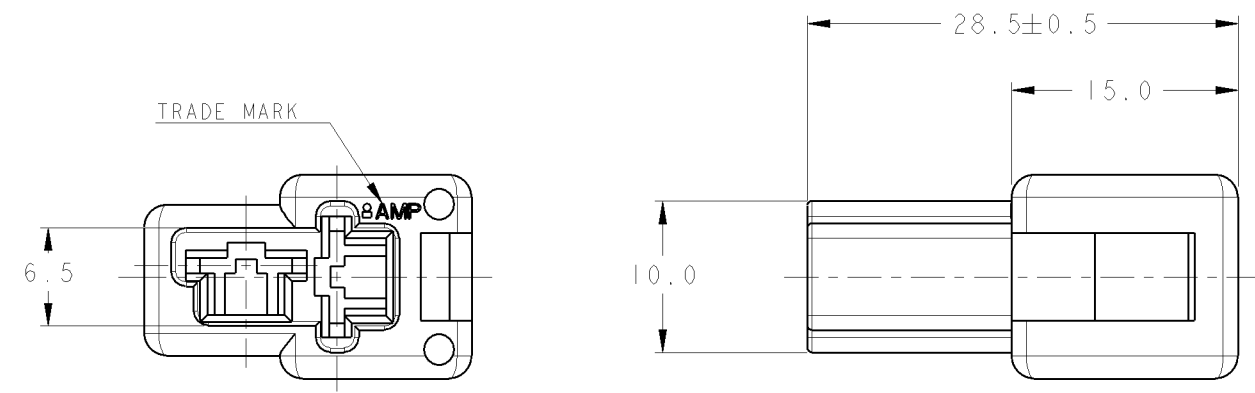
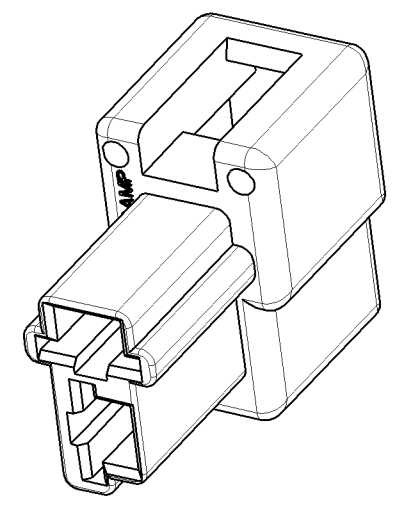


THIS DRAWING IS UNPUBLISHED. RELEASED FOR PUBLICATION 20  
 © COPYRIGHT 20 BY TYCO ELECTRONICS CORPORATION. ALL RIGHTS RESERVED.

LOC	DIST	REVISIONS			
P	LTR	DESCRIPTION	DATE	DWN	APVD
DS	-	A	RELEASED	11. JUN. 08	SC JK



174197-5	BLUE
174197-2	BLACK
174197-1	NATURAL
P/N	COLOR

NOTES  
 1. MATING PLUG HSG P/N: 174198  
 2. APPLIED CONTACT P/N: 170349, 170340, 170341  
 3. GENERAL TOLERANCES: ±0.3

<small>THIS DRAWING IS A CONTROLLED DOCUMENT FOR TYCO ELECTRONICS CORPORATION. IT IS SUBJECT TO CHANGE AND THE CONTROLLING ENGINEERING ORGANIZATION SHOULD BE CONTACTED FOR THE LATEST REVISION.</small>		DWN SC KIM CHK BW KANG APVD JK SONG		AMP KOREA Kyungsan, Korea	
DIMENSIONS: mm 		TOLERANCES UNLESS OTHERWISE SPECIFIED: 0 PLC ± 1 PLC ±0.3 2 PLC ±0.10 3 PLC ±0.001 4 PLC ±0.0001 ANGLES ±		NAME 250 2P CAP LANCE HSG	
MATERIAL 66 NYLON (UL94 V-2) FINISH -		PRODUCT SPEC - APPLICATION SPEC - WEIGHT -		SIZE A3 CAGE CODE 00779 DRAWING NO 174197 RESTRICTED TO -	
CUSTOMER DRAWING		SCALE 2:1		SHEET 1 OF 1 REV A	