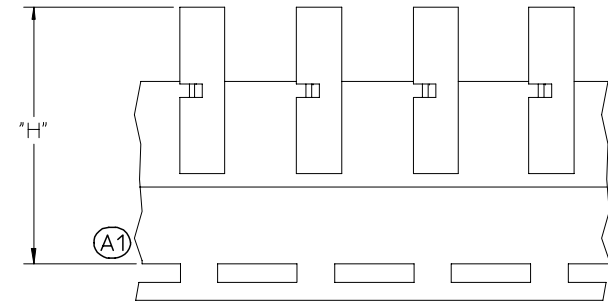
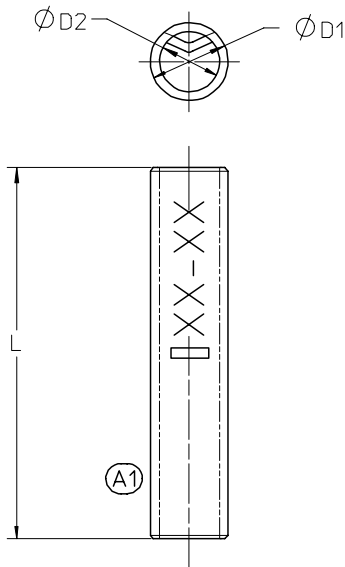


MATERIAL NO.	ENGINEERING NO.	D1 MAX	D2 MIN	L MAX	H NOMINAL	WIRE RANGE AWG	DESCRIPTION
192030384 (A1)	A-S-145	.14/3.6	.05/1.2	.627/15.92	-----	22-18	LOOSE
192030385	B-S-131	.17/4.3	.07/1.9	.627/15.92	-----	16-14	LOOSE
192030386	C-S-146	.23/5.8	.12/3.0	.627/15.92	-----	12-10	LOOSE
192030523 (A1)	192030384T	.14/3.6	.05/1.2	.627/15.92	1.218/30.94	22-18	TAPE
192030479	192030385T	.17/4.3	.07/1.9	.627/15.92	1.218/30.94	16-14	TAPE
192030480	192030386T	.23/5.8	.12/3.0	.627/15.92	1.218/30.94	12-10	TAPE



PARTS ON TAPE

NOTE(S):

1. MATERIAL: STEEL .031/0.80 THICK REF
2. FINISH: NICKEL PLATING
3. PART IS ROHS COMPLIANT.

(A1)

ADD MATERIAL #'S EC NO: ETC2005-0779 DRWN: DMYRICK 2006/09/05 CHKD: JPAMLCKI 2006/09/05 APPR: JMACNEIL 2006/09/11	QUALITY SYMBOLS ▽=0 ▽=0	GENERAL TOLERANCES (UNLESS SPECIFIED)		DIMENSION STYLE IN/MM		SCALE 1:1	DESIGN UNITS INCH	THIRD ANGLE PROJECTION	
		4 PLACES	±----	±----	DRAWN BY DMYRICK	DATE 2005/4/7	TITLE STEP DOWN BUTT SPLICE SEAMLESS		
		3 PLACES	±----	±----	CHECKED BY RDEROSS	DATE 2005/4/7			
		2 PLACES	±----	±----	APPROVED BY RDEROSS		DATE 2005/4/7	MOLEX INCORPORATED	
1 PLACE	±----	±----	ANGULAR ±----°		MATERIAL NO. SEE CHART		DOCUMENT NO. SD-19203-015	SHEET NO. 1 OF 1	
DRAFT WHERE APPLICABLE MUST REMAIN WITHIN DIMENSIONS			SIZE B		THIS DRAWING CONTAINS INFORMATION THAT IS PROPRIETARY TO MOLEX INCORPORATED AND SHOULD NOT BE USED WITHOUT WRITTEN PERMISSION				