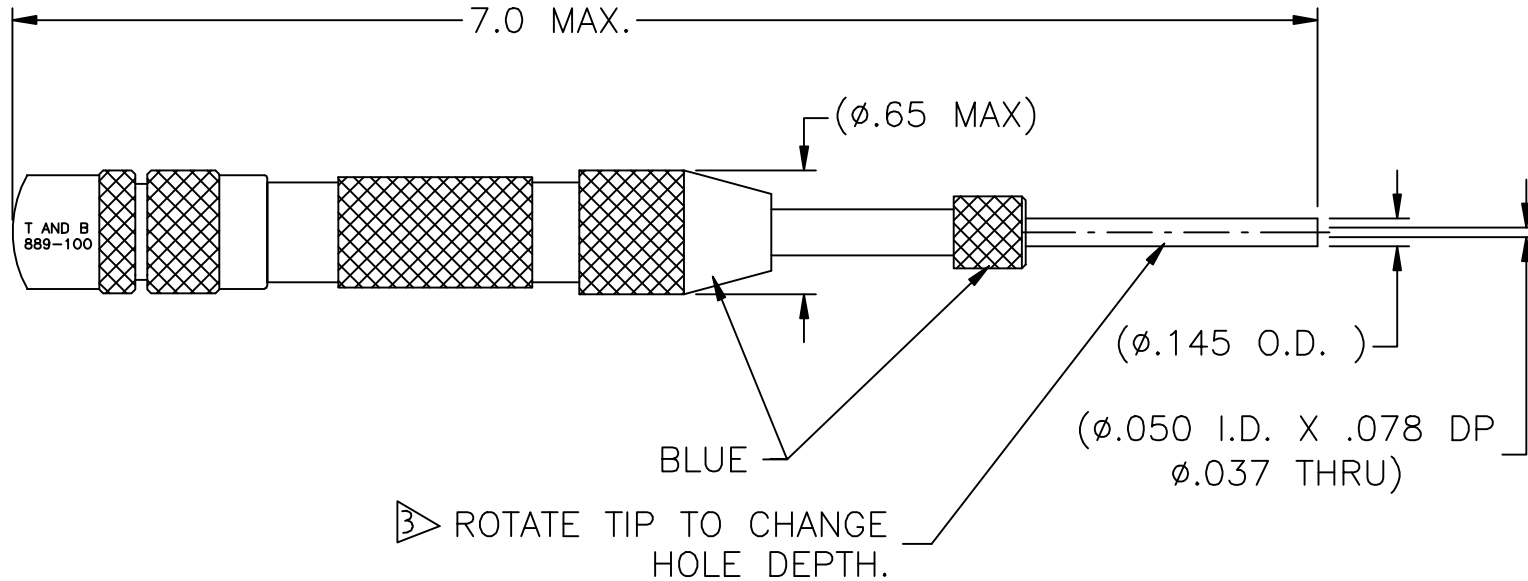


ATC 2046-100-ENV




**UNCONTROLLED DOCUMENT
WILL NOT BE UPDATED**

3. HOLE DEPTH IS ADJUSTABLE: TURN TIP TO MOVE INTERNAL ADJUSTABLE SHAFT.

2. COLOR CODE: BLUE.

NOTES: 1. THIS IS AN AUTOCAD DRAWING, DO NOT CHANGE MANUALLY.

				THESE DRAWINGS, SPECIFICATIONS OR OTHER DATA ARE AND REMAIN, THE PROPERTY OF ASTRO TOOL CORP. AND MUST BE RETURNED UPON REQUEST. THEY CONTAIN INFORMATION OWNED AND/OR DEVELOPED BY ASTRO AT ITS OWN PRIVATE EXPENSE AND MAY NOT BE USED, DUPLICATED OR DISCLOSED TO OTHERS, IN WHOLE OR IN PART FOR DESIGN, MANUFACTURE OR PROCUREMENT WITHOUT THE WRITTEN PERMISSION OF ASTRO TOOL CORP. EACH AND EVERY TIME.	SCALE: N.T.S.	UNLESS OTHERWISE SPECIFIED: DECIMALS: .XXX ± .005 .XX ± .010 .X ± .030	 21615 S.W. TUALATIN VALLEY HWY., BEAVERTON OR 97006 CAGE 58164
A	NEW RELEASE.	DYO	07-24-15	MMK	DWN BY: DYO	ANGLES: ± 1°	
REV.	DESCRIPTION	BY	DATE	APR.	APPROVED:		PART NO. A ATC 2046-100-ENV