

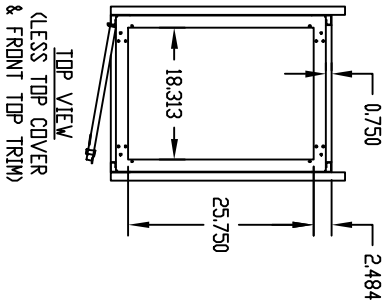
PART NAME SERIES 30-2000 UPRIGHT CABINET RACK

PART No. E30-2000 TD E30-2007

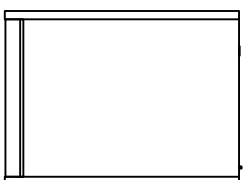
REV. DATE 1-2-02

FINISH:
 FRAME ASSEMBLY, SIDES, DOOR & TOP COVER _____ GRAY TEXTURE DR
 ROYAL BLUE TEXTURE
 PANEL MOUNTING RAILS _____ SMOOTH BLACK
 FRONT TOP TRIM _____ METALLIC GRAY

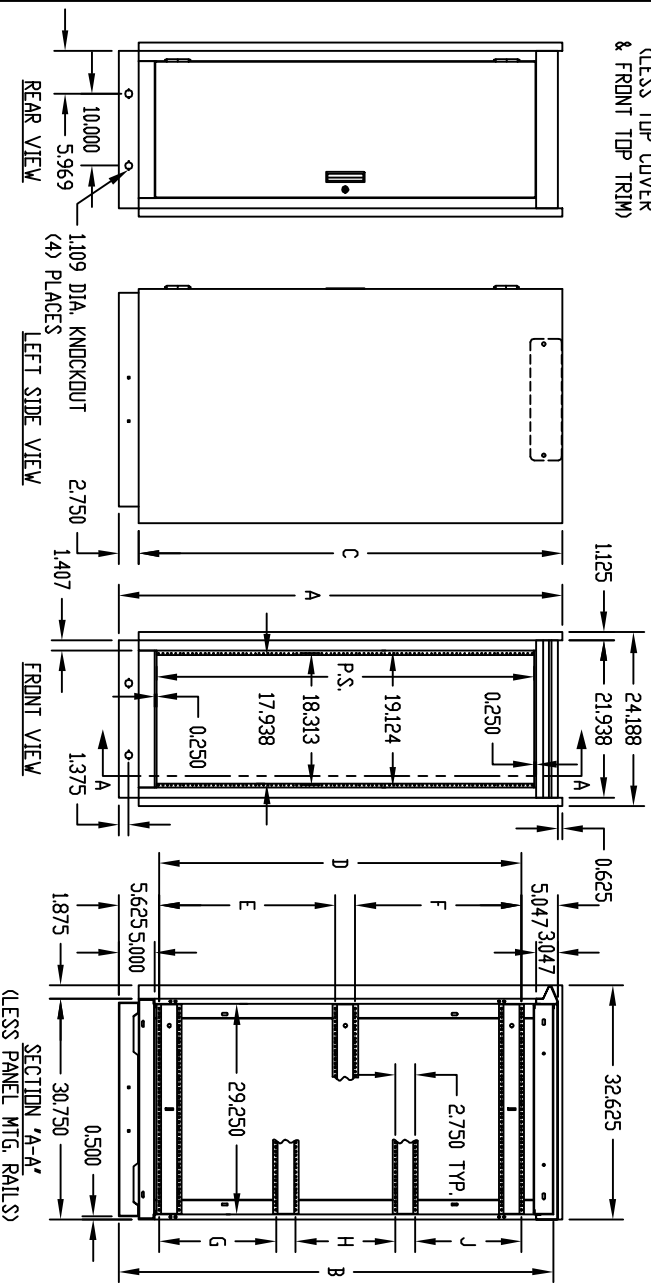
MATERIAL:
 PANEL MOUNTING RAILS _____ 12 GA. STEEL
 FRAME TOP, BASE ASSEMBLY, FILLERS & VERTICAL RAILS _____ 14 GA. STEEL
 RAIL SUPPORTS _____ 16 GA. STEEL
 TOP COVER & SIDES _____ 18 GA. STEEL
 DOOR & FRONT TOP TRIM _____ 20 GA. STEEL



TOP VIEW
 (LESS TOP COVER & FRONT TOP TRIM)



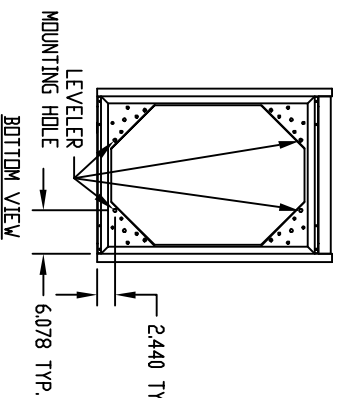
TOP VIEW



SECTION "A-A"
 (LESS PANEL MOUNTING RAILS)

PANEL MOUNTING RAILS (FRONT & REAR) ARE TAPPED #10-32 ON E.I.A. UNIVERSAL SPACING AND ARE FULLY ADJUSTABLE.

BOTTOM PIERCED FOR MOUNTING RC-7758 CASTERS.
 LOAD RATING: 1200 LBS. MAX.



* DISCONTINUED

PART No.	P.S.	A	B	C	D	E	F	G	H	J
E30-2000	21,000	30,250	29,000	27,500	18,937	—	—	—	—	—
* E30-2001	31,500	40,750	39,500	38,000	29,437	—	—	—	—	—
* E30-2002	35,000	44,250	43,000	41,500	32,937	—	—	—	—	—
E30-2003	42,000	51,250	50,000	48,500	—	19,281	17,906	—	—	—
E30-2004	52,500	61,750	60,500	59,000	—	24,531	23,156	—	—	—
E30-2005	61,250	70,500	69,250	67,750	—	28,906	27,531	—	—	—
E30-2006	70,000	79,250	78,000	76,500	—	33,281	31,906	—	—	—
E30-2007	78,750	88,000	86,750	85,250	—	—	—	25,125	22,312	23,750