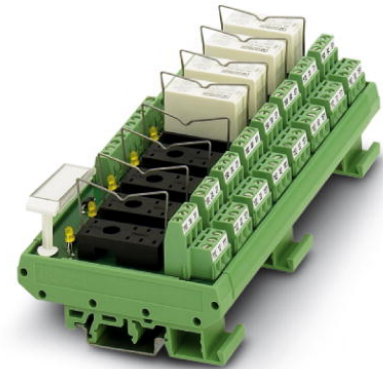


UMK- 8 RELS/KSR-24/21/21

Order No.: 2975722



<http://eshop.phoenixcontact.de/phoenix/treeViewClick.do?UID=2975722>

VARIOFACE module, with plug-in bases for 8 miniature relays with two PDT contacts, with LED



Commercial data	
EAN	4017918100810
Pack	1 pcs.
Customs tariff	85364190
Weight/Piece	0.2745 KG
Catalog page information	Page 301 (IF-2009)

Product notes

WEEE/RoHS-compliant since:
03/30/2007



<http://www.download.phoenixcontact.com>
Please note that the data given here has been taken from the online catalog. For comprehensive information and data, please refer to the user documentation. The General Terms and Conditions of Use apply to Internet downloads.

Technical data

Input data	
Nominal input voltage U_N	24 V DC \pm 10%
Input voltage range in reference to U_N	0.9 ... 1.1
Name of protection	Free-wheeling diode
Protective circuit/component	Damping diode

Status display/channel	Yellow LED
------------------------	------------

Output data

Contact type	2 PDT
Maximum switching voltage	250 V AC
Limiting continuous current	5 A
Error detection (line break / short circuit)	no

General data

No. of channels	8
Compatible components	Miniature relays or miniature optocouplers
With components	No
Width	168.8 mm
Height	59 mm
Depth	77 mm
Ambient temperature (operation)	-20 °C ... 50 °C
Ambient temperature (storage/transport)	-20 °C ... 70 °C
Test voltage	2.5 kV (50 Hz, 1 min)
Test voltage relay winding/relay contact	2.5 kV AC
Standards/regulations	DIN VDE 0110
Mounting position	Any
Pollution degree	2
Surge voltage category	III
Housing insulation material	PVC, side panel PA non-reinforced,
Color	green

Connection data

Connection 1	Input
Type of connection	Screw connection
Number of positions	10
Conductor cross section stranded min.	0.14 mm ²
Conductor cross section stranded max.	1.5 mm ²
Conductor cross section solid min.	0.14 mm ²
Conductor cross section solid max.	1.5 mm ²
Conductor cross section AWG/kcmil min.	26
Conductor cross section AWG/kcmil max	14
Screw thread	M3

Stripping length	6 mm
Connection 2	Output
Type of connection	Screw connection
Number of positions	6
Conductor cross section solid min.	0.14 mm ²
Conductor cross section solid max.	1.5 mm ²
Conductor cross section stranded min.	0.14 mm ²
Conductor cross section stranded max.	1.5 mm ²
Conductor cross section AWG/kcmil min.	26
Conductor cross section AWG/kcmil max	14
Screw thread	M3
Stripping length	6 mm

Certificates / Approvals

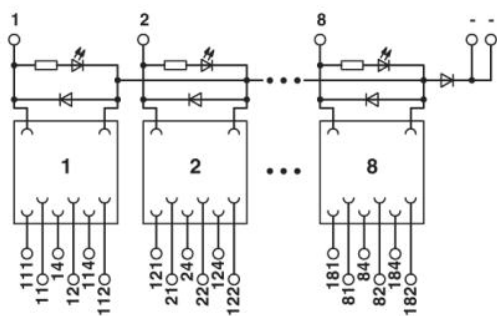


Certification

GOST

Diagrams/Drawings

Circuit diagram



Address

PHOENIX CONTACT Deutschland GmbH
Flachmarktstr. 8
32825 Blomberg, Germany
Phone +49 5235 3 12000
Fax +49 5235 3 41200
<http://www.phoenixcontact.de>



© 2010 Phoenix Contact
Technical modifications reserved;