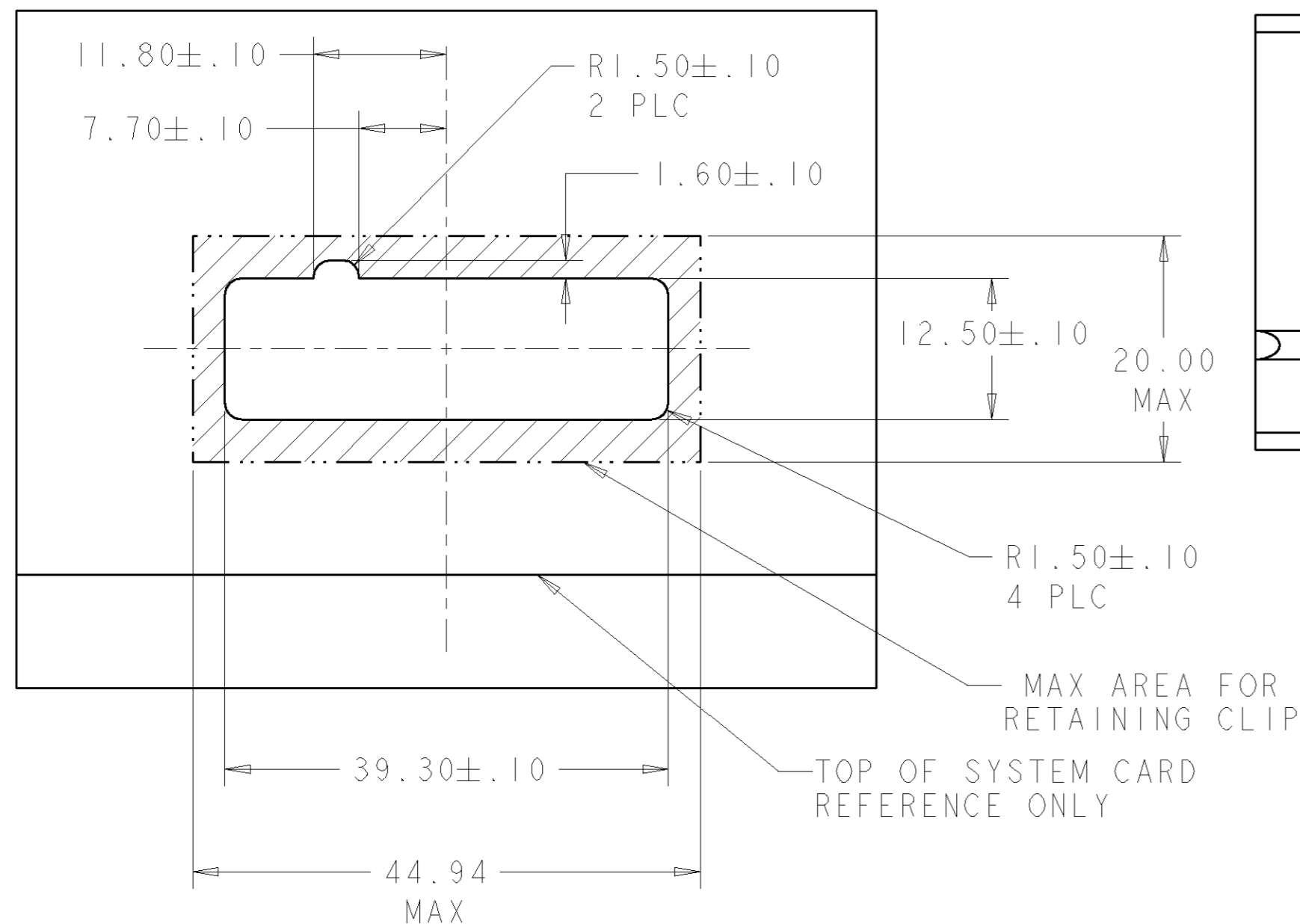
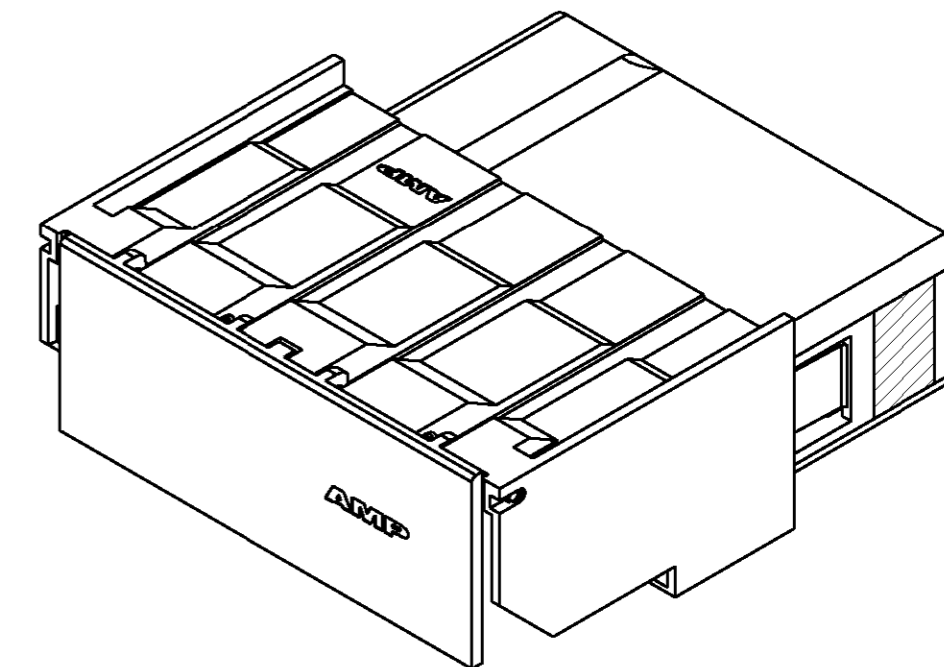
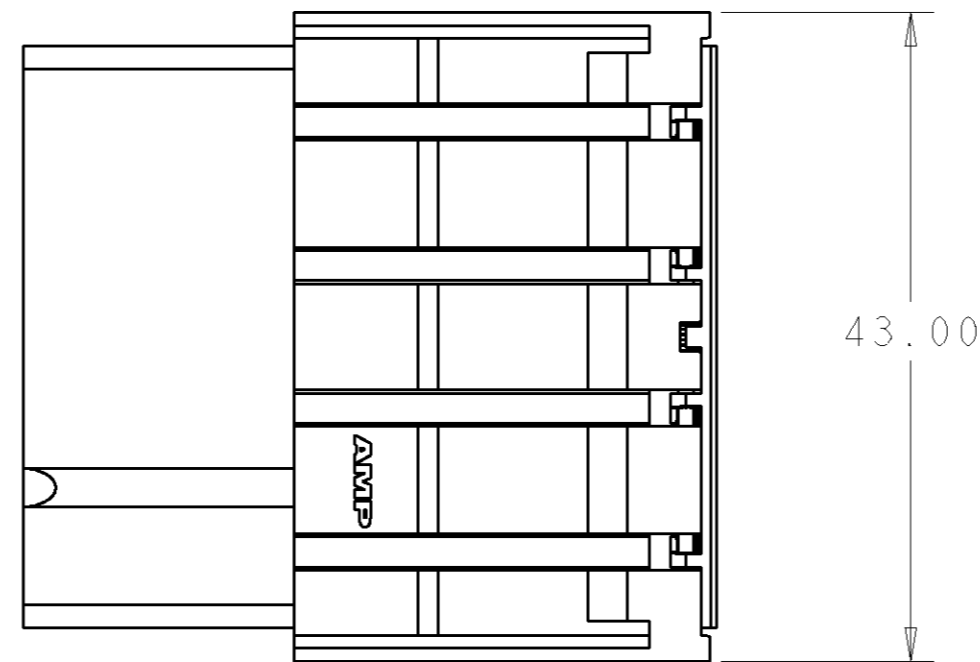


THIS DRAWING IS UNPUBLISHED. RELEASED FOR PUBLICATION
 © COPYRIGHT 20 BY TYCO ELECTRONICS CORPORATION. ALL RIGHTS RESERVED.

LOC	DIST	REVISIONS			
P	LTR	DESCRIPTION	DATE	DWN	APVD
CE	16	A	DRAWN	16JAN2006	EH AP

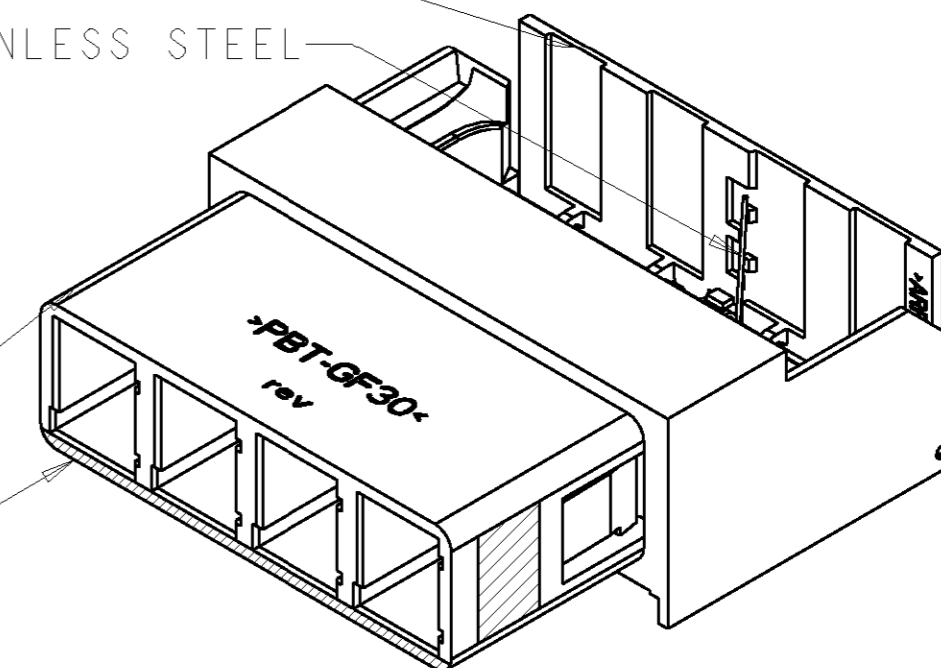


SUGGESTED PANEL CUT-OUT
 LOOKING FROM SYSTEM CARD SIDE



SCALE 2:1 PIN MATERIAL: SST

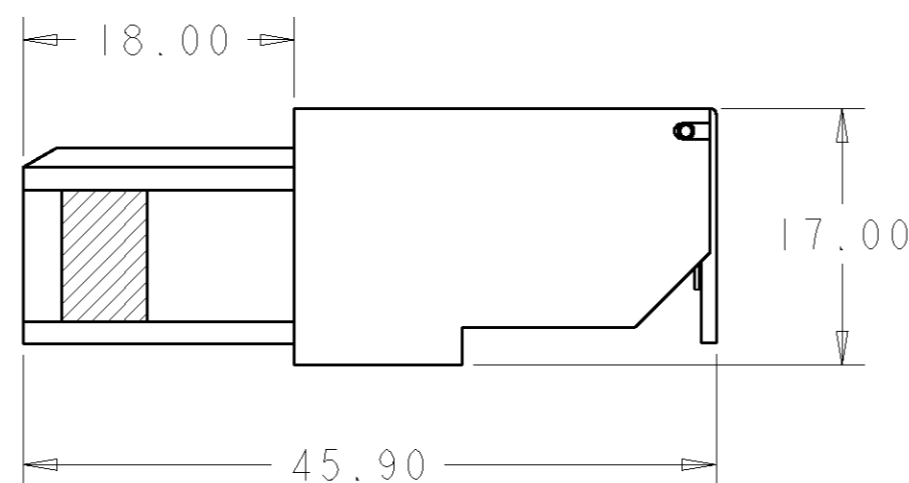
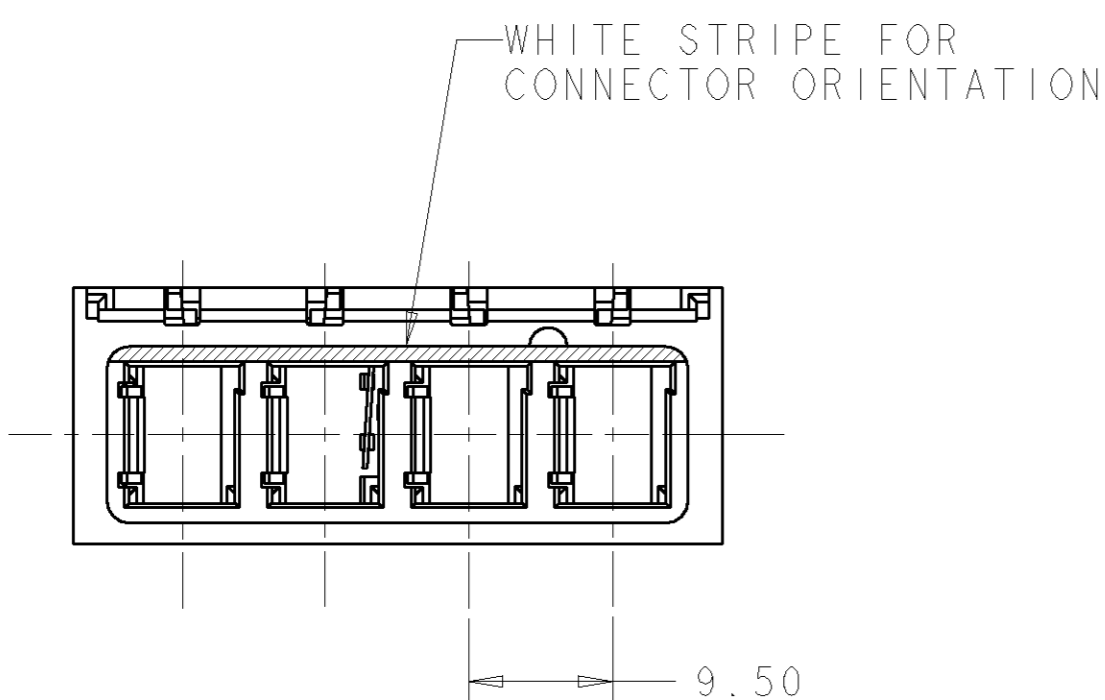
SHUTTER; MATERIAL: THERMOPLASTIC
 SHUTTER SPRING; MATERIAL: STAINLESS STEEL



SCALE 2:1

HOUSING; MATERIAL: GLASS FILLED THERMOPLASTIC

WHITE STRIPE FOR
 CONNECTOR ORIENTATION



6278529-1
 PART NUMBER

NOTE:
 1. HOUSING DESIGNED TO BE INSTALLED WITH RETENTION CLIP P/N 1278530-1, USING SEATING TOOL, P/N 1278945-2 AND MOTHERBOARD SUPPORT, P/N 1278944-1. REFER TO INSTRUCTION SHEET 408-8332.

THIS DRAWING IS A CONTROLLED DOCUMENT FOR TYCO ELECTRONICS CORPORATION. IT IS SUBJECT TO CHANGE AND THE CONTROLLING ENGINEERING ORGANIZATION SHOULD BE CONTACTED FOR THE LATEST REVISION.		DWN E HALEY 16 JAN 06	tyco Electronics		AMP Incorporated Harrisburg, PA 17105-3608
DIMENSIONS: mm		CHK A PLOTTIS 16 JAN 06	NAME BOARD FOR QUAD LAYOUT		
TOLERANCES UNLESS OTHERWISE SPECIFIED: 0 PLC ± 1 PLC ±0.5 2 PLC ±0.13 3 PLC ±0.013 4 PLC ±0.0001 ANGLES ± FINISH		APVD A PLOTTIS 16 JAN 06	PRODUCT SPEC - APPLICATION SPEC -		
MATERIAL		WEIGHT -	SIZE A200779	DRAWING NO C-6278529	RESTRICTED TO -
		CUSTOMER DRAWING	SCALE 2:1	SHEET 1 OF 1	REV A