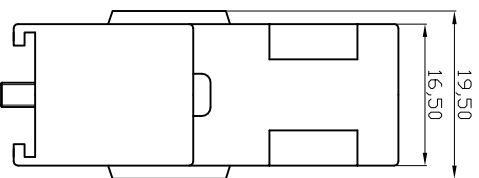
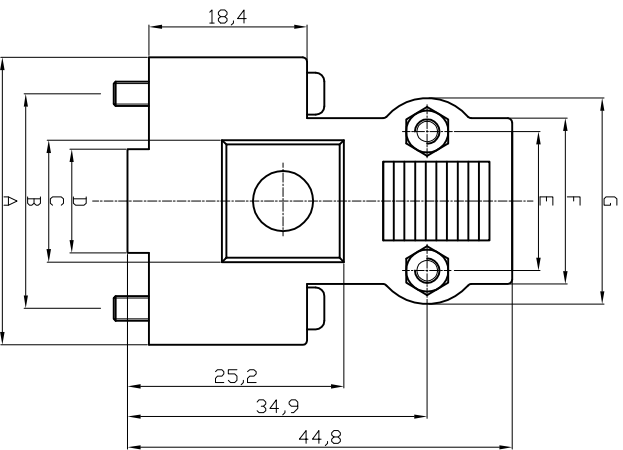


NOTES:
 ④ MATERIAL ABS UL94 HB

X= ME : Metallized
 - : Plastic, Grey



No. of contacts	Dimensions							
	A	B	C	D	E	F	G	H
09	33.5	25.0	14.2	12.1	16.2	19.3	24.0	9.7
15	41.2	33.3	21.5	16.1	23.0	28.1	33.0	21.6
25	54.5	47.1	35.1	29.9	35.8	41.5	46.2	34.3
37	71.5	63.5	51.1	46.0	53.0	58.0	63.0	51.0

RoHS compliant

Scale	1:1
TOLERANCE	
X.X	±0.38
X.XX	±0.25
X.XXX	±0.15
DIM	TOL
X.°	±2°
X.X°	±1°
Angle	TOL

Id.	Modification	Date	Name
④	Add "UL 94 HB"	01.11.2016	Winnie
③	Add spec	30.04.2014	Joanna
②	Corrected material	14.12.2010	Dean
①	Drawn	10.12.2008	Dean



Customer-No.
 ASSMANN WSW-No.
AGP-xx/IDC-X

Drawing-No.
ASS 3203 CO
 Replace
 rev04
 Sheet

1	2	3	4	5	6	7
A	B	C	D	E	F	G
H	G	F	E	D	C	B