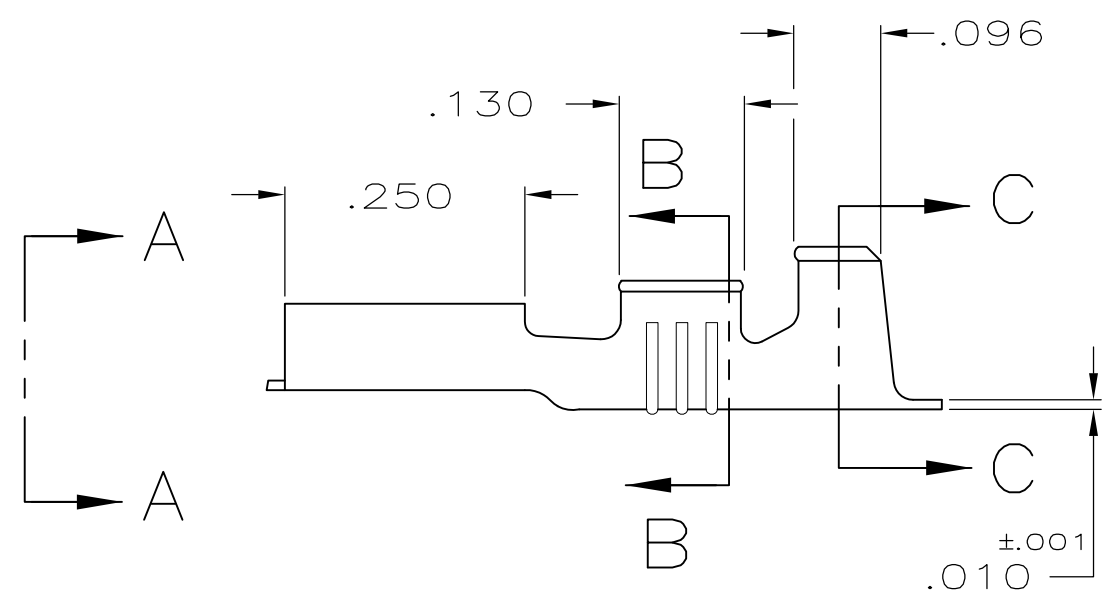
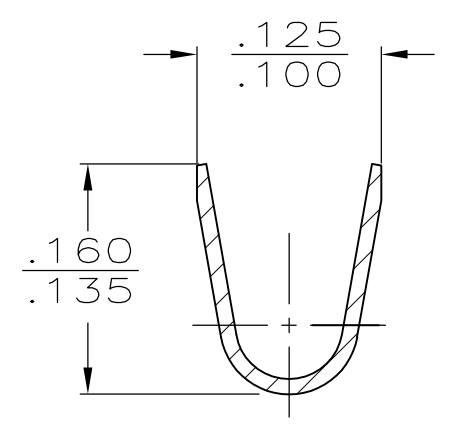
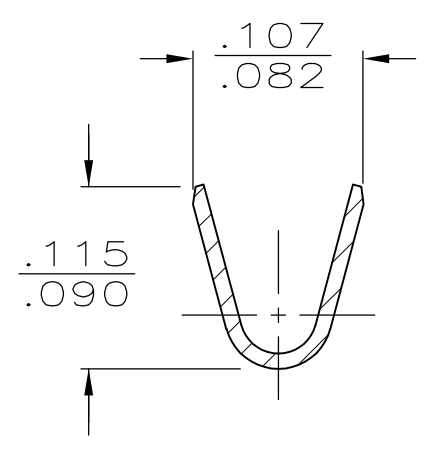
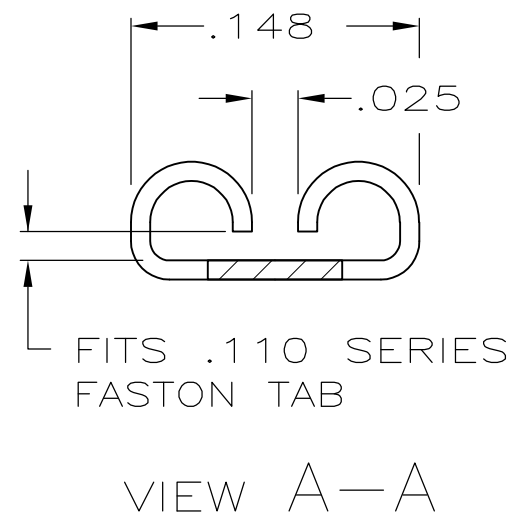
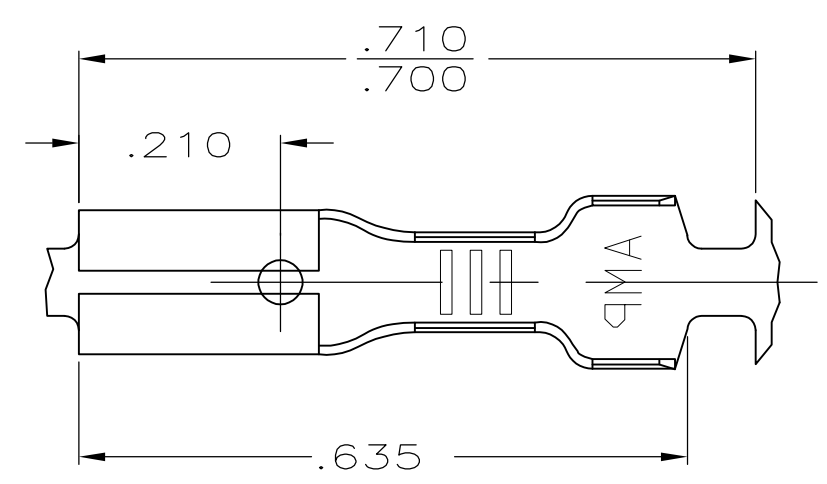


THIS DRAWING IS UNPUBLISHED. RELEASED FOR PUBLICATION
 © COPYRIGHT - By - ALL RIGHTS RESERVED.

LOC	DIST	REVISIONS			
P	LTR	DESCRIPTION	DATE	DWN	APVD
AF	50	AN	REVISED PER ECR-12-013445	08NOV12	KH PD

1 CONTINUOUS STRIP ON REELS.



OBSOLETE	SILVER	#4H BRASS	.060-.100	22-18	.020	-42068-6
OBSOLETE	GOLD	#4H BRASS	.060-.100	22-18	.020	-42068-5
OBSOLETE	TIN	#4H PHOS BRZ	.060-.100	22-18	.020	-42068-4
OBSOLETE	---	#4H PHOS BRZ	.060-.100	22-18	.020	-42068-3
	PRE-TIN	BRASS	.060-.100	22-18	.020	42068-1
	---	BRASS	.060-.100	22-18	.020	42068-0
	FINISH	MATERIAL	INSUL RANGE	WIRE SIZE	TAB ±.001 THK	PART NO

THIS DRAWING IS A CONTROLLED DOCUMENT.		DWN	6/23/87		 TE Connectivity RECEPTACLE, FASTON™ .110 SERIES			
DIMENSIONS: INCHES		CHK	-			NAME		
TOLERANCES UNLESS OTHERWISE SPECIFIED:		APVD	-			PRODUCT SPEC		
0 PLC ± - 1 PLC ± - 2 PLC ± - 3 PLC ± .015 4 PLC ± - ANGLES ± -		APPLICATION SPEC	-			SIZE		
MATERIAL	SEE TABLE	FINISH	SEE TABLE	WEIGHT	-	CAGE CODE	DRAWING NO	RESTRICTED TO
CUSTOMER DRAWING				SCALE	NTS	SHEET	1 OF 1	REV
								AN