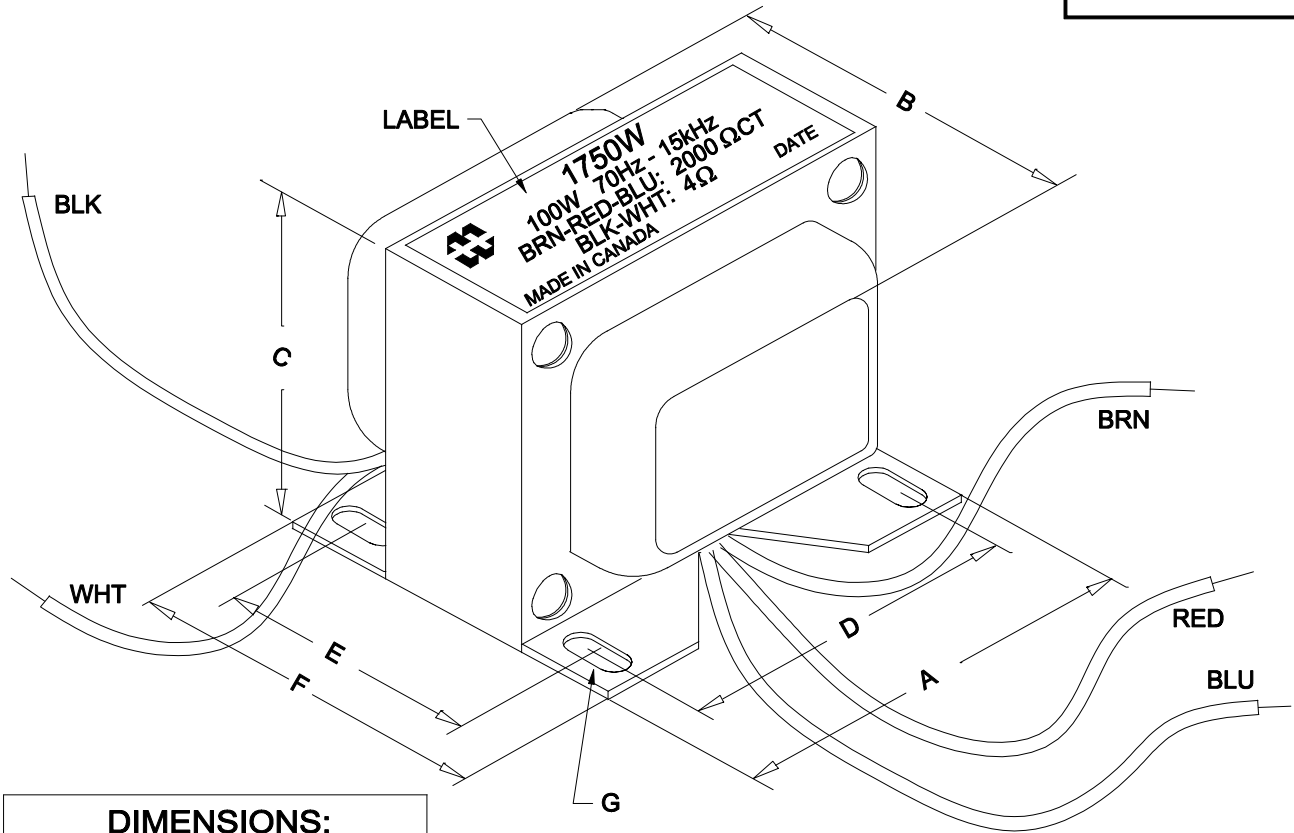
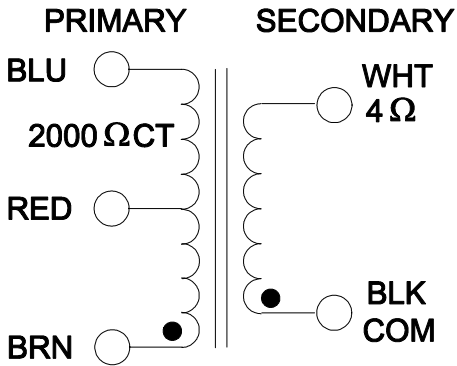


1750W



DIMENSIONS:	
A	4.063" ±0.063
B	3.450" ±0.125
C	3.500" ±0.063
D	3.500" ±0.063
E	2.250" ±0.063
F	2.800" ±0.063
G	0.187"X 0.300" ±0.015

NOTE: ALL LEADS 9.0" OUT MIN.



ELECTRICAL DATA:	
Turns ratio:	22.35 : 1
Inductance	@ 240V, 60Hz =>21.22H (Open circuit)
DCR	@ 20°C, BRN - RED =11.4Ω ±20%
	@ 20°C, RED - BLU =11.4Ω ±20%
	@ 20°C, BLK - WHT =0.10Ω ±20%
FREQ. RESP	@ 100W, 70Hz - 15kHz±1dB (1kHz Ref.)
Pri. Impedance	2000Ω CT (447V)
Sec. Impedance	4Ω (20V)
Power	100 WATTS

**HAMMOND
ELECTRONICS**
52 RANKIN PLACE,
WATERLOO, ONTARIO, N2L 3Z5.
PHONE (519) 886-6181
FAX # (519) 886-9540

TITLE				1750W
OUTPUT TRANSFORMER				
			DR BY IOAN POP	
0	05/11/09	PRELIMINARY.	I.P. DATE 05/11/09	
NO	DATE	REVISION	DIM IN(X)MM()	