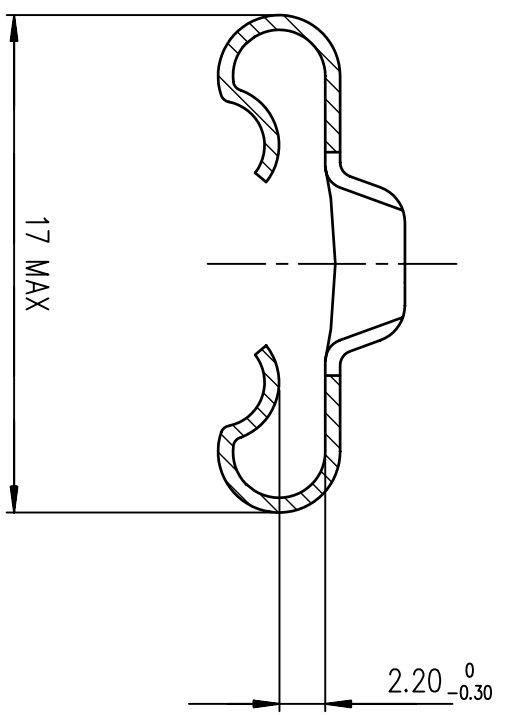
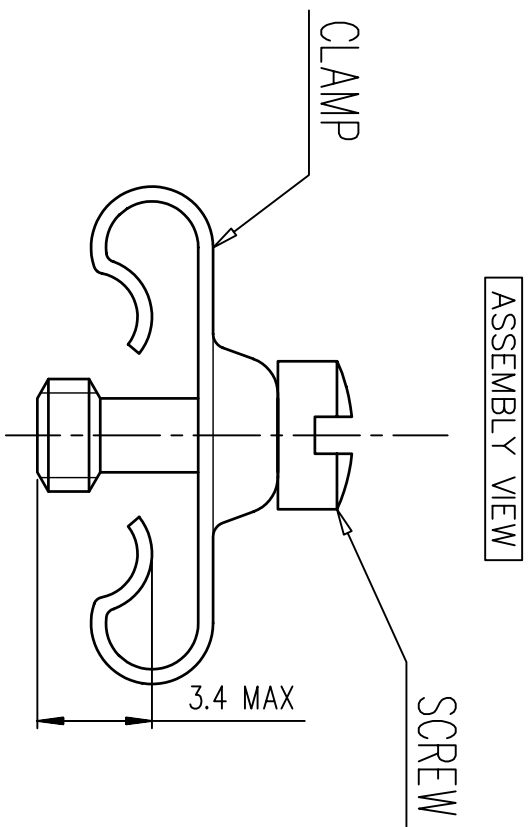
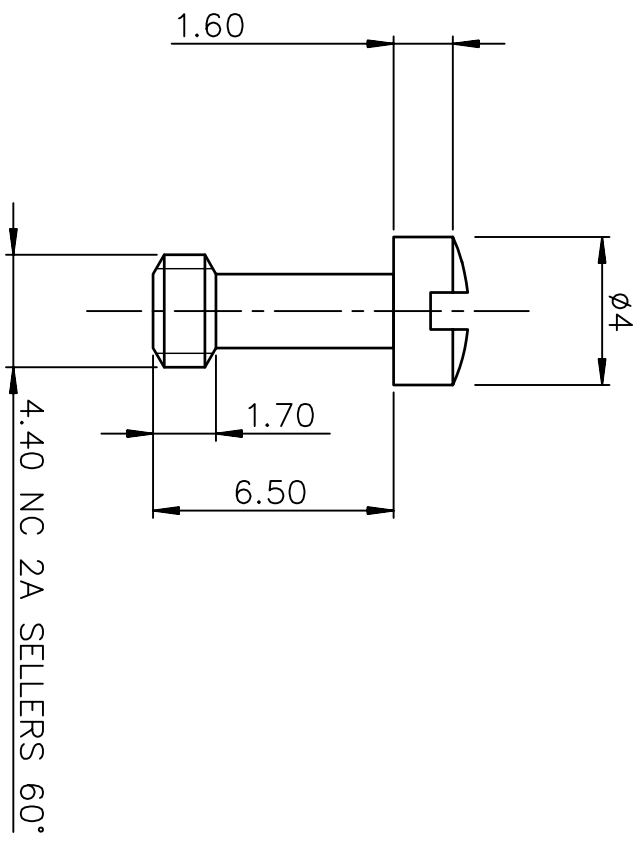


**NOTES**  
 Pieces assembly  
 Packaging : per 100 piece  
 Material : steel  
 Plating : yellow chromate cadmium  
 Thread : UNC 4.40



Part Number  
**863002A**

www.fciconnect.com		surface	ISO 1302	tolerance std	ISO 406 ISO 1101	projection	mm
Dr JOUBERT		ANGULAR	✓	TOLERANCES UNLESS OTHERWISE SPECIFIED		size	A3
Eng M.PESSON		LINEAR		0.X	±0.1	Scale	5
Chr ABHILASH		0.XX		0.XXX	±0.1	ECN	ELX-H-011686
Appr SUDHIR		±2		Product family		Spec ref	-
1998/03/27		D-SUB		D-SUB			
1998/03/27		Male Screw Lock					
2011/01/25		Shell 50 D Sub Accessories					
2011/01/25		Customer					
2012/05/09		Sheet 1 of 1					

rev	ecn no	dr	date
A	-	SJO	1998/03/27
B	LS06-0101	MPE	2006/06/27
C	LS07-0001	MPE	2007/01/02
D	LS09-0006	PCR	2009/01/08
E	I11-0022	AMR	2011/01/25
F	ELX-H-01663	PK	2012/05/09
G	ELX-H-01663	PK	2012/05/09