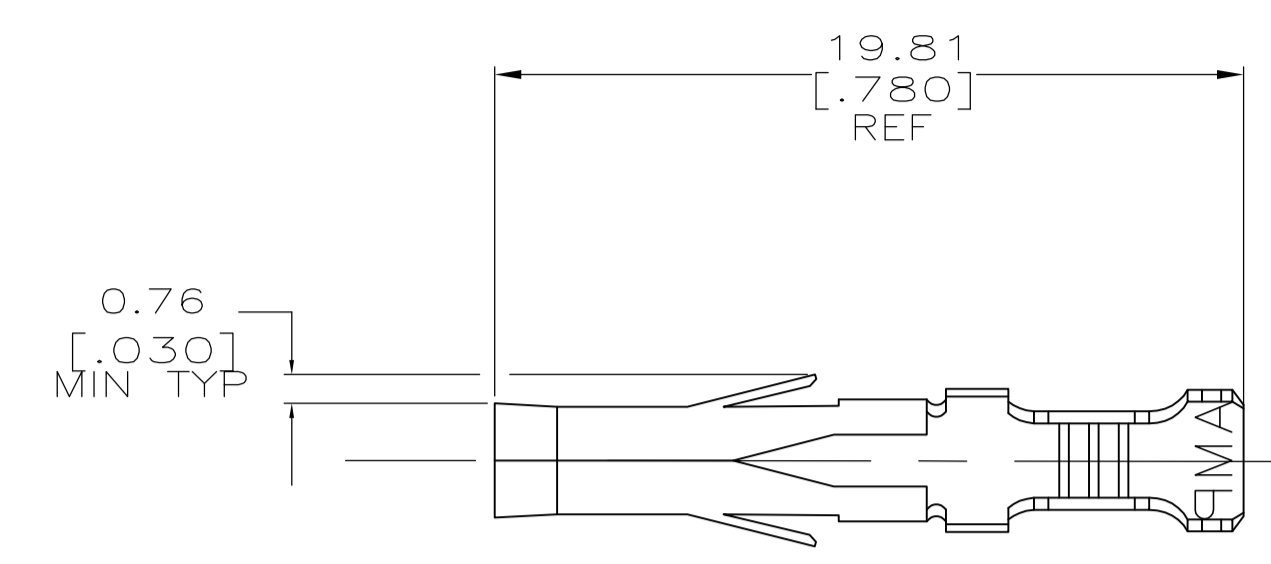
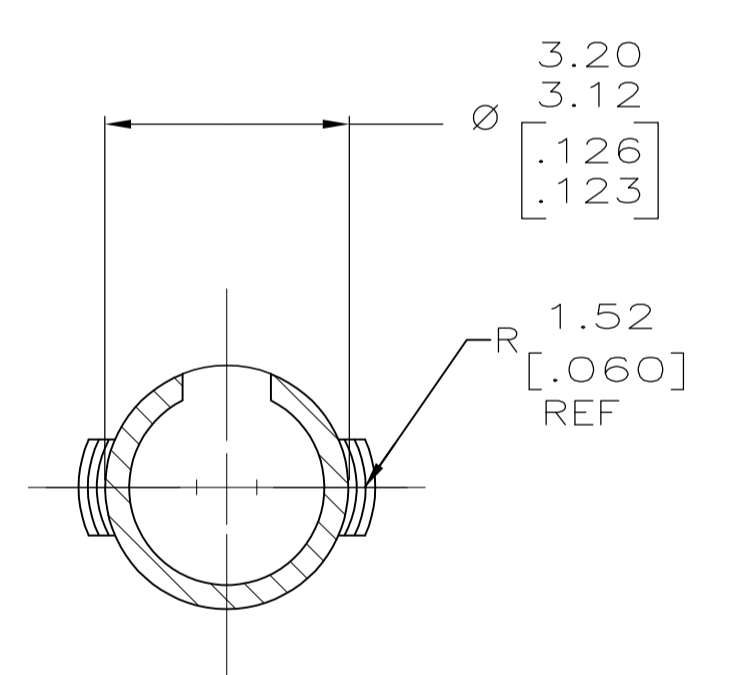
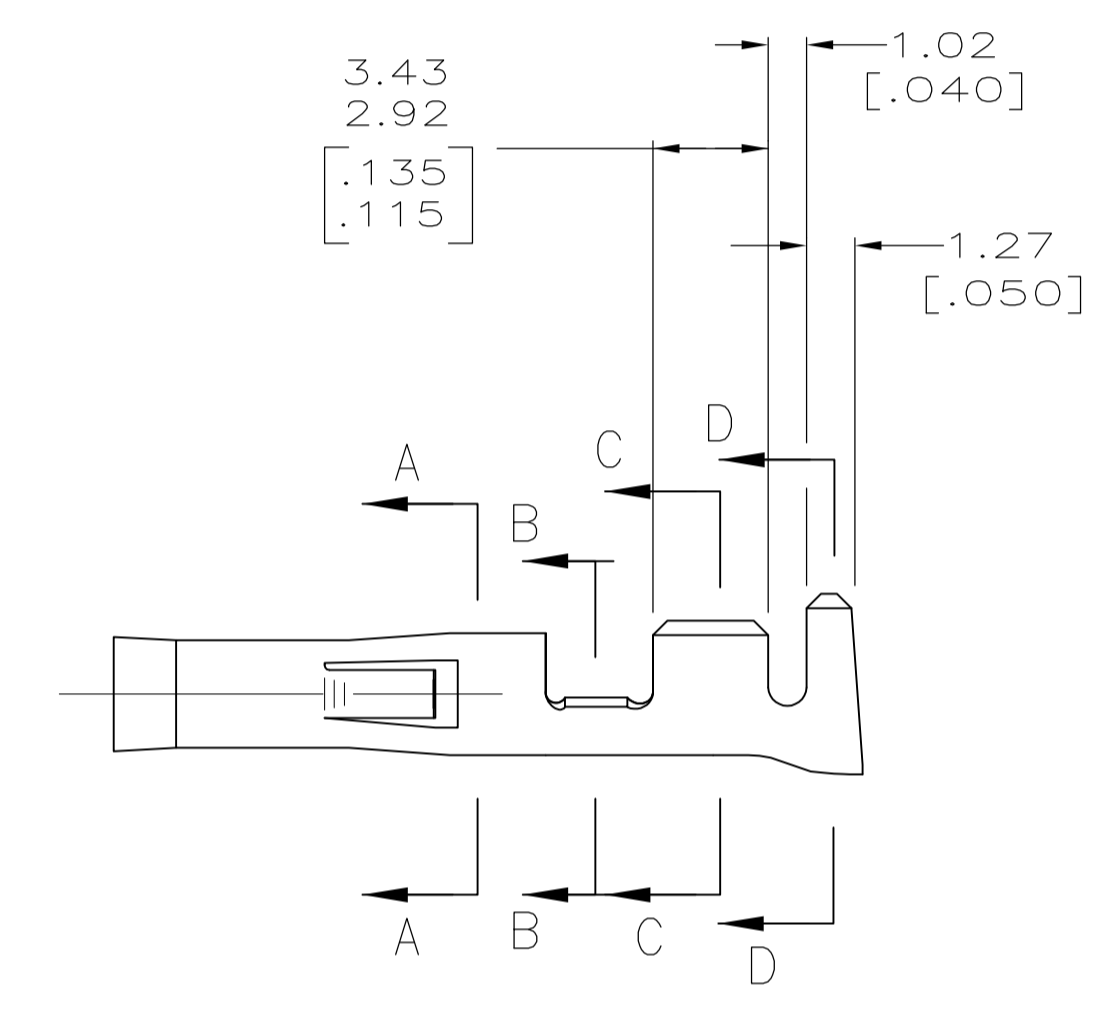
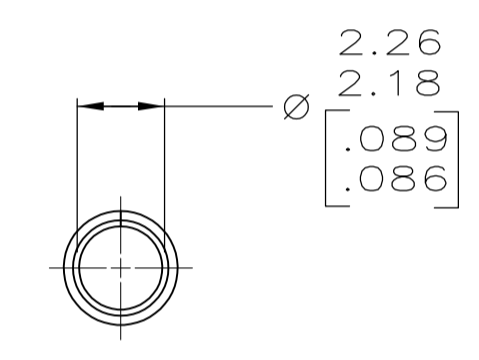


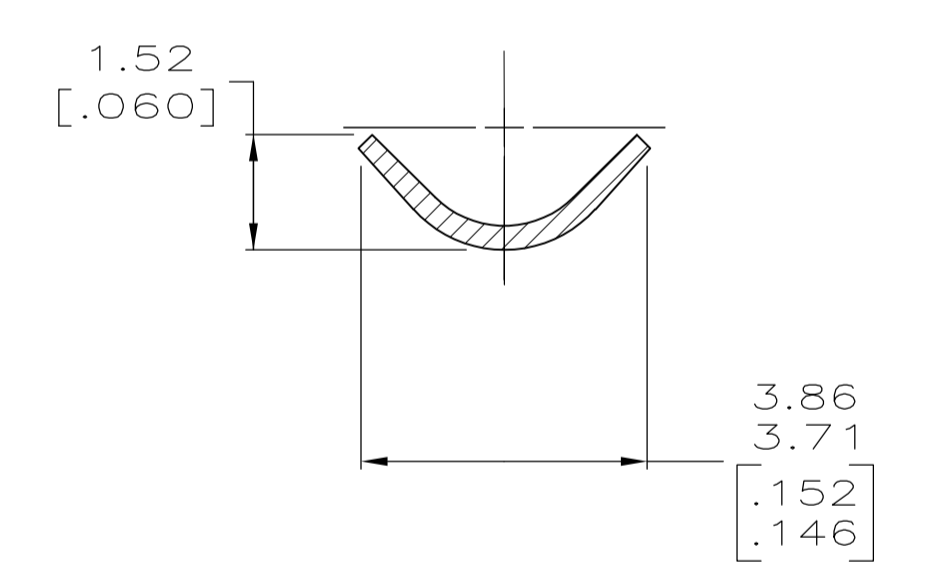
LOC		DIST		REVISIONS			
P	LTR	DESCRIPTION	DATE	DWN	APVD		
F		ECO-07-014387	19JUN07	KW	CC		



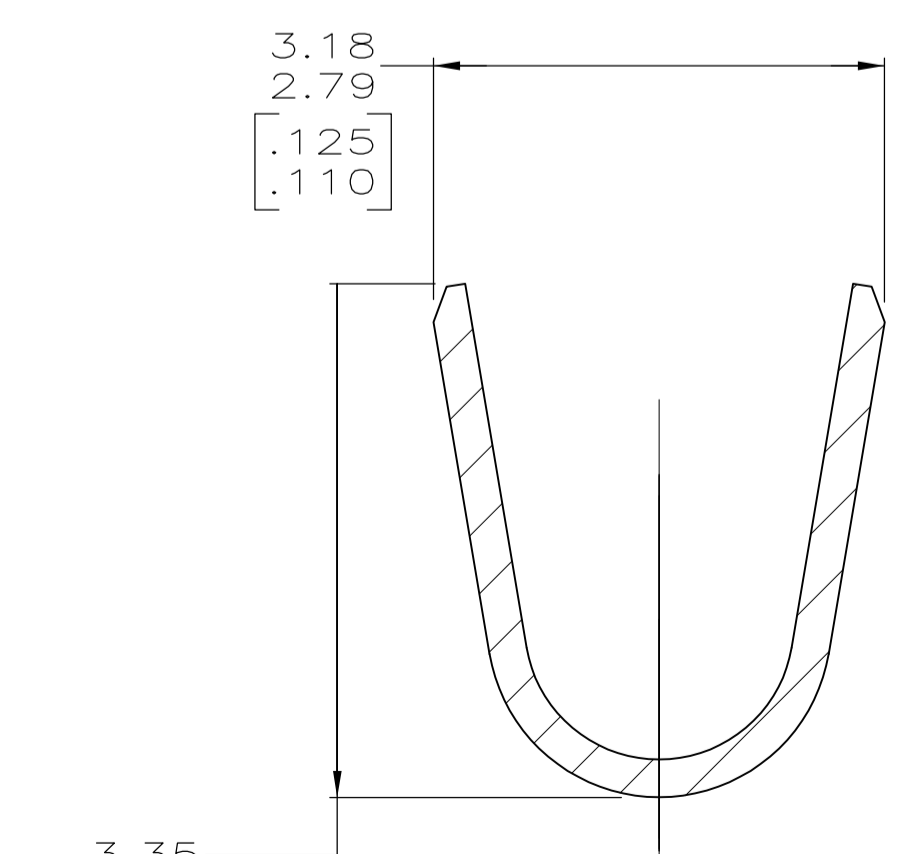
- 1. 0.00127 [.000050] NICKEL PLATE WITH 0.00076 [.000030] GOLD PLATE ON INSIDE OF RECEPTACLE.
- 2. WIRE RANGE: 0.5-2mm² (20-14 AWG).
- 3. INSULATION RANGE: 3.56 [.140] MAX. DIA.
- 4. DIMENSIONS IN BRACKETS ARE IN INCHES.



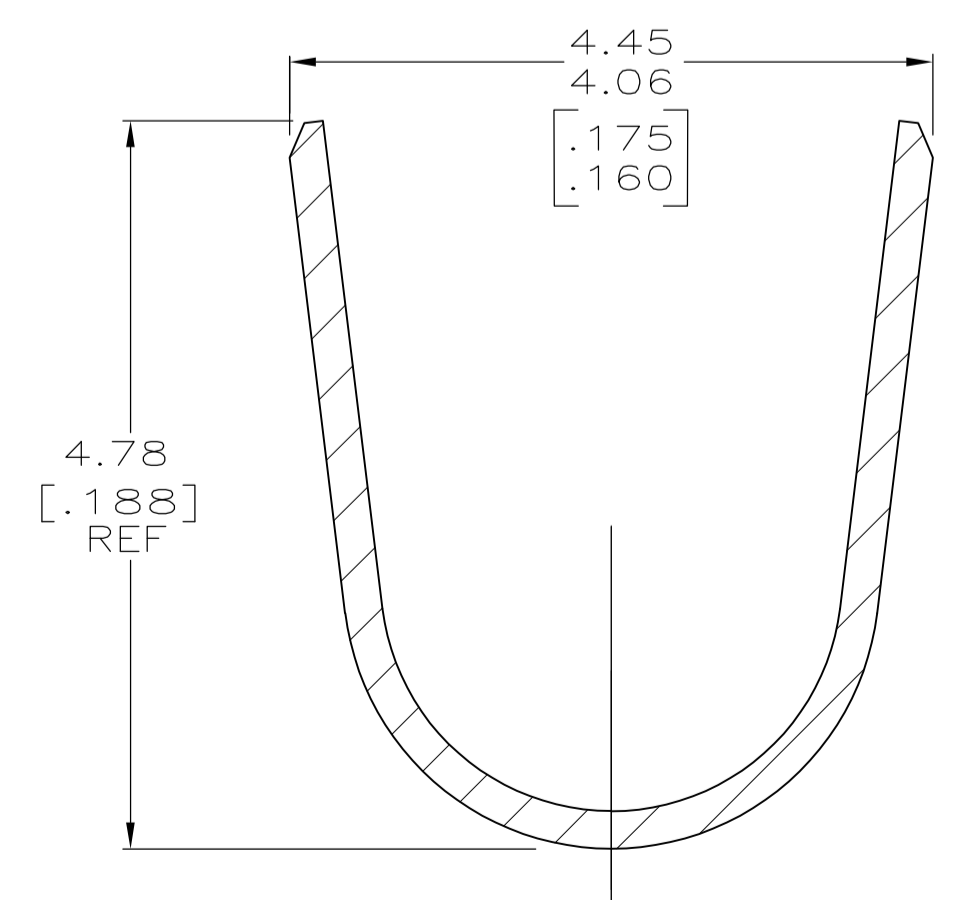
SECTION A-A
SCALE 10:1



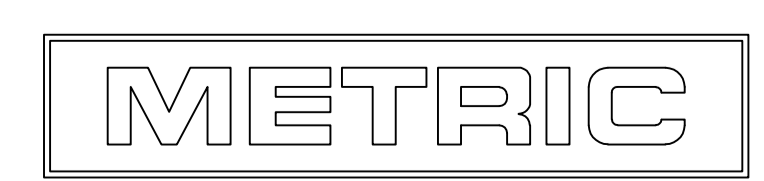
SECTION B-B
SCALE 10:1



SECTION C-C
SCALE 10:1



SECTION D-D
SCALE 10:1



PRE-TIN	0.25 [.010] PHOS BRZ	770144-6
1	0.25 [.010] BRASS	770144-5
PRE-TIN	0.25 [.010] BRASS	770144-1
FINISH	MATERIAL	PART NO

THIS DRAWING IS A CONTROLLED DOCUMENT.		DIN K. WHITAKER 19JUN2007	Tyco Electronics Corporation Harrisburg, PA 17105-3608	
DIMENSIONS: mm [INCHES]		CHK C. CASH 19JUN2007	NAME SOCKET, .093, LOOSE PIECE, COMMERCIAL PIN AND SOCKET	
TOLERANCES UNLESS OTHERWISE SPECIFIED:		APVD C. CASH 19JUN2007	RESTRICTED TO	
0. PLC ± -		APPLICATION SPEC	SIZE A1	
1. PLC ± -		WEIGHT	CAGE CODE 00779	
2. PLC ± 0.13 [.005]		SCALE	DRAWING NO 770144	
3. PLC ± -		SCALE	SHEET 1 OF 1	
4. PLC ± -		SCALE	REV F	
ANGLES ± -		CUSTOMER DRAWING		