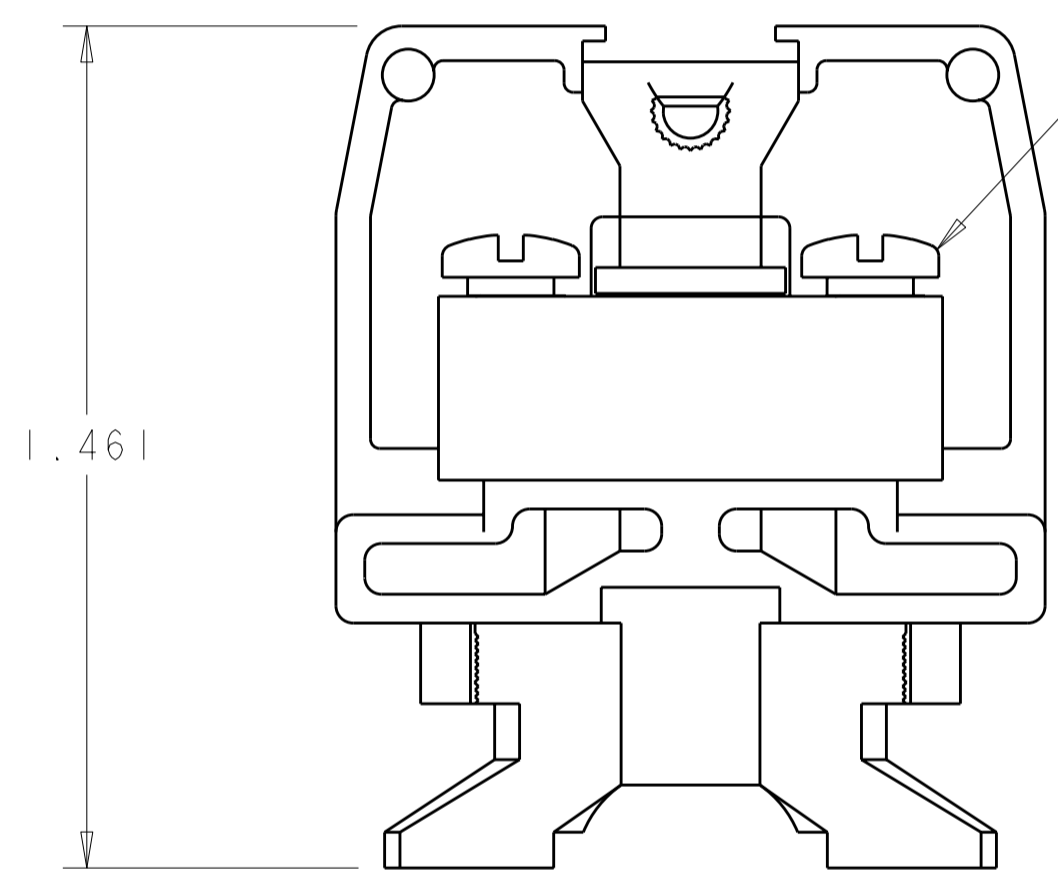
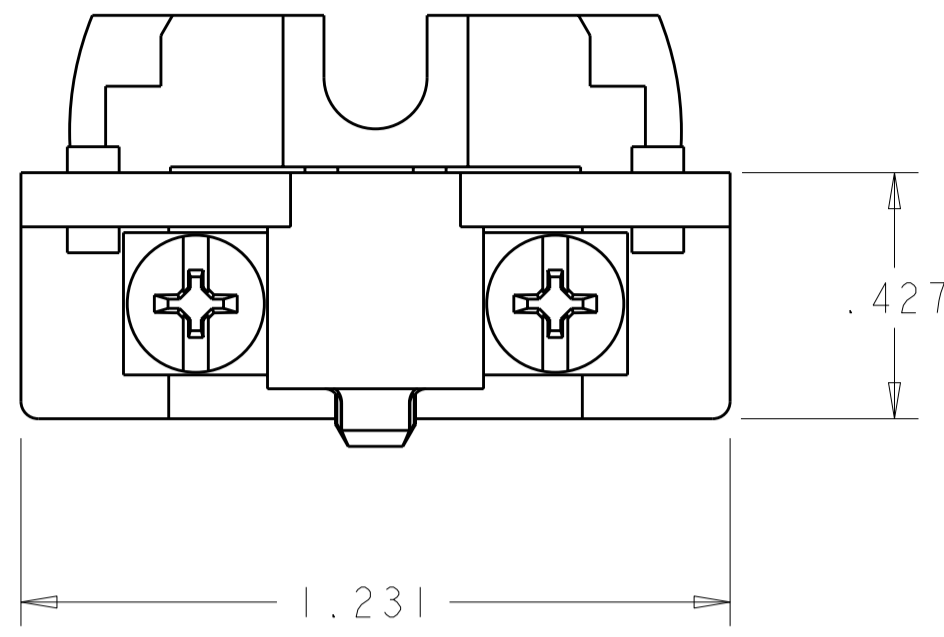


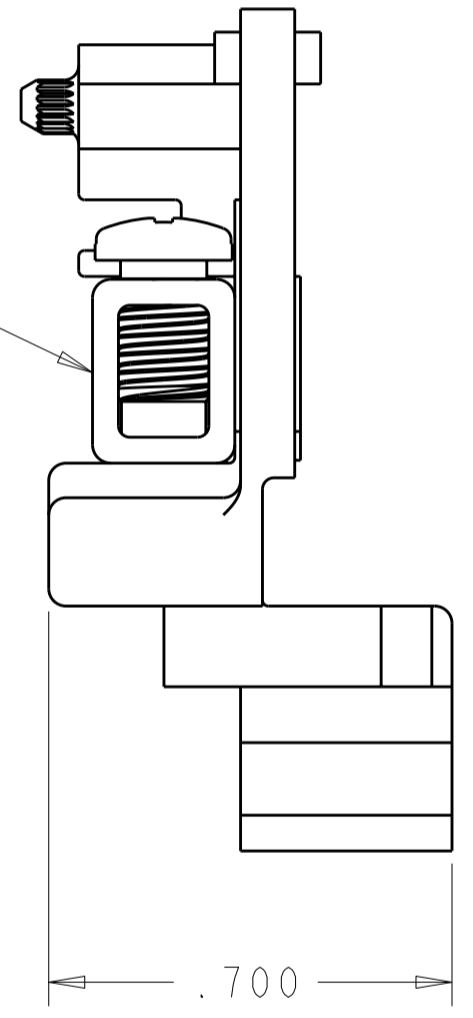
THIS DRAWING IS UNPUBLISHED. RELEASED FOR PUBLICATION 20
 © COPYRIGHT 20 BY - ALL RIGHTS RESERVED.

LOC		DIST		REVISIONS			
P	LTR	DESCRIPTION	DATE	DWN	APVD		
	EI	REVISED PER ECO-11-004917	12MAR2011	RK	HMR		

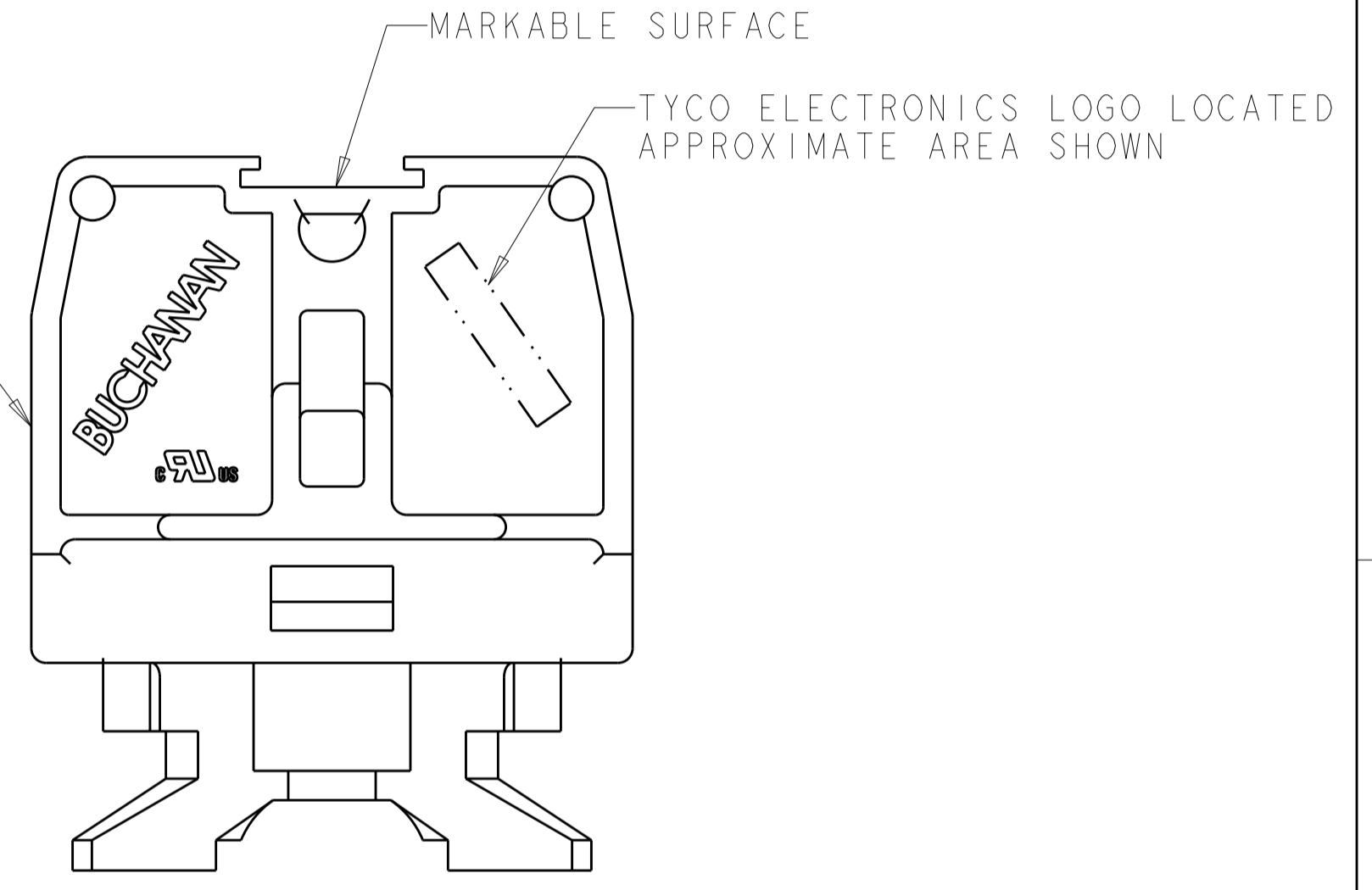


10-32 SCREW
QTY: 2

TUBULAR CONTACT



HOUSING



- 1. PHYSICAL PROPERTIES (STANDARD)
 HOUSING: POLYESTER, UL 94V-0 RATED, COLOR: GRAY.
 TUBULAR CONTACT: COPPER ALLOY, ZINC PLATED.
 SCREW: STEEL, ZINC PLATED CLEAR CHROMATE.
- 2. PHYSICAL PROPERTIES (DURAMAX)
 HOUSING: POLYESTER, UL 94V-0 RATED, COLOR: GRAY.
 TUBULAR CONTACT: COPPER ALLOY, NICKEL PLATED.
 SCREW: COPPER ALLOY, NICKEL PLATED.
- 3. MECHANICAL
 PITCH: .375
 MOUNTING: STANDARD CHANNEL AND CLAMP.
 OPERATING TEMPERATURE: 150°C MAX.
 TORQUE: RECOMMENDED TIGHTENING TORQUE IS 8 IN-LBS.
- 4. ELECTRICAL
 MAXIMUM CURRENT: 50A
 OPERATING VOLTAGE: 600 V
 WIRE RANGE: 8-22 AWG.
- 5. SEE RESTRICTED CUSTOMER DRAWING 4-1437394-7.

-	4-1437394-7	5
2	1546148-2	
1	1546148-1	
MATERIAL / FINISH	PART NUMBER	

THIS DRAWING IS A CONTROLLED DOCUMENT.		DWN S. WELDON 15JAN2002	TE Connectivity	
DIMENSIONS: INCHES		CHK S. YODER 15JAN2002		
TOLERANCES UNLESS OTHERWISE SPECIFIED:		APVD S. YODER 15JAN2002		
0 PLC ± 1 PLC ± 2 PLC ± 3 PLC ±.010 4 PLC ± ANGLES ± FINISH		PRODUCT SPEC - APPLICATION SPEC - WEIGHT -		
SEE TABLE		CUSTOMER DRAWING		NAME ASSEMBLY, TERMINAL BLOCK, NEMA, DOVETAIL BASE, MEDIUM DUTY, TUBULAR SCREW SIZE A2 CAGE CODE 00779 DRAWING NO. 1546148 RESTRICTED TO - SCALE 3:1 SHEET 1 OF 1 REV EI