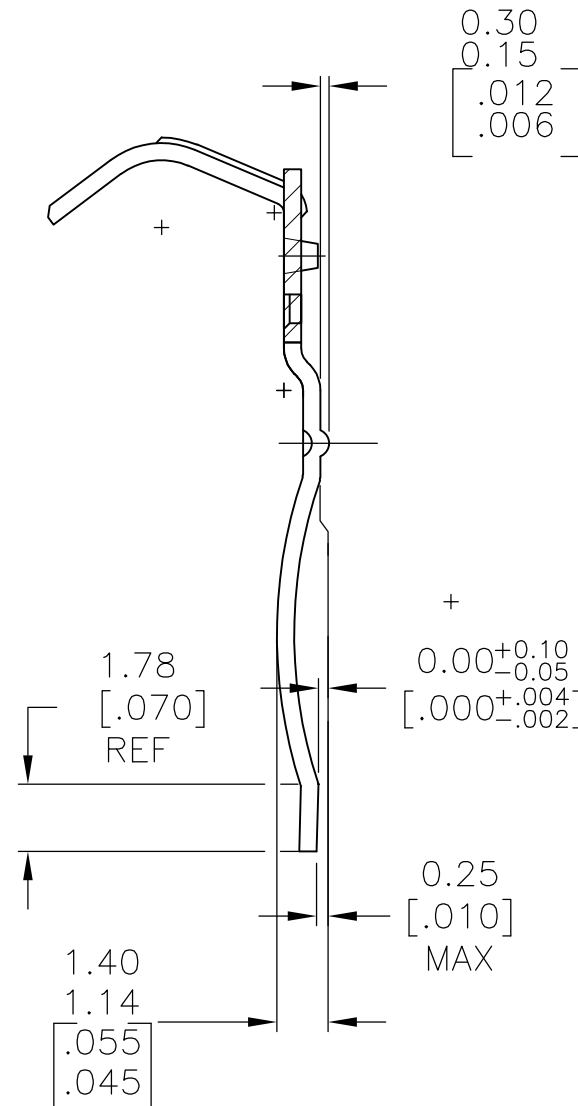
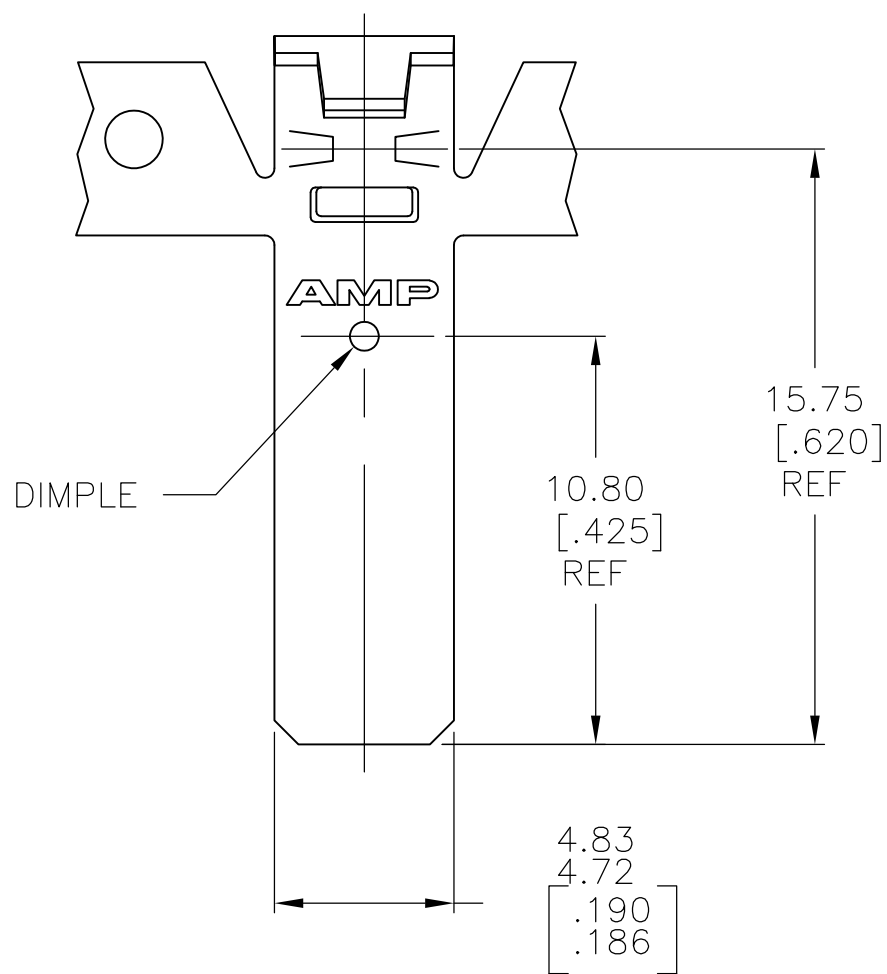


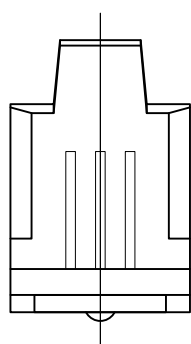
THIS DRAWING IS UNPUBLISHED. RELEASED FOR PUBLICATION
 © COPYRIGHT BY TYCO ELECTRONICS CORPORATION. ALL RIGHTS RESERVED.

LOC AF DIST 50

| REVISIONS | | | | | |
|-----------|-----|---------------------------|---------|-----|------|
| P | LTR | DESCRIPTION | DATE | DWN | APVD |
| | A2 | REVISED PER ECR-07-029757 | 14DEC07 | HMR | GP |
| | A3 | REVISED PER ECR-13-000187 | 07JAN13 | B.P | YH.M |



1 PRODUCT PROVIDED IN STRIP FORM ON SPLICE FREE REELS.



| | | | |
|--------------------------|---|------------|-------------|
| 0.00203[.000080] MIN TIN | 0.457±0.025[.018±.001] THK H03 PHOS BRONZE | 20-14 AWG | 1742492-2 |
| FINISH | MATERIAL | WIRE RANGE | PART NUMBER |

| | | | | |
|--|--|---------------------|---|-----------------|
| THIS DRAWING IS A CONTROLLED DOCUMENT. | | DWN B.P 07JAN2013 | Tyco Electronics Corporation Harrisburg, PA 17105-3608 | |
| DIMENSIONS: mm [INCHES] | TOLERANCES UNLESS OTHERWISE SPECIFIED: | CHK F.M 07JAN2013 | NAME BRUSH CONTACT, TAB-LOCK LEFT HAND | |
| | 0 PLC ± - | APVD YH.M 07JAN2013 | PRODUCT SPEC | |
| | 1 PLC ± - | PRODUCT SPEC | APPLICATION SPEC | |
| MATERIAL SEE TABLE | FINISH SEE TABLE | WEIGHT - | SIZE A3 | CAGE CODE 00779 |
| CUSTOMER DRAWING | | | DRAWING NO C-1742492 | RESTRICTED TO - |
| | | | SCALE 5:1 | SHEET 1 OF 1 |
| | | | REV A3 | |