



## 3-Pole Surge Protector for LED Drivers Surge Protectors for LED Drivers with Universal AC Input



### Features

- Compliant with UL 1449 3<sup>rd</sup> Edition
- IP67 Waterproof – Fully Potted\*P Version
- Surge Current Rating 10,000A
- Compliant with IEEE62.41.2
- Wide Operating Temperature range (-40C-80C)
- Surge Voltage to 6KV

### Applications

- LED Drivers

### Safety Approvals (Preliminary)

- UL
- CE

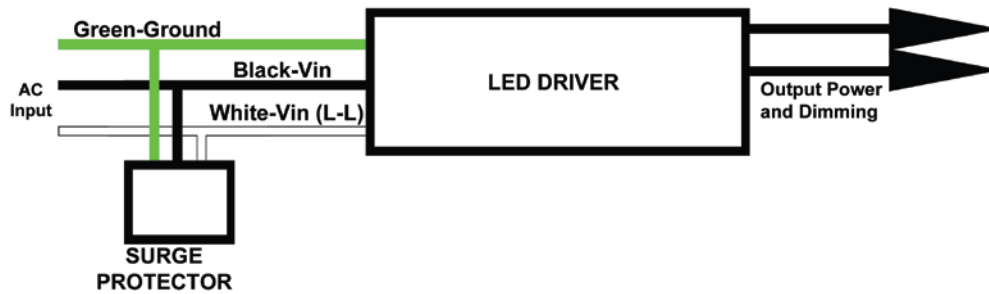
### Mechanical Characteristics

- Length: 90.2mm (3.6in)
- Width: 43mm (1.7in)
- Height: 31mm (1.2in)
- Weight: 212.6g (7.5oz)

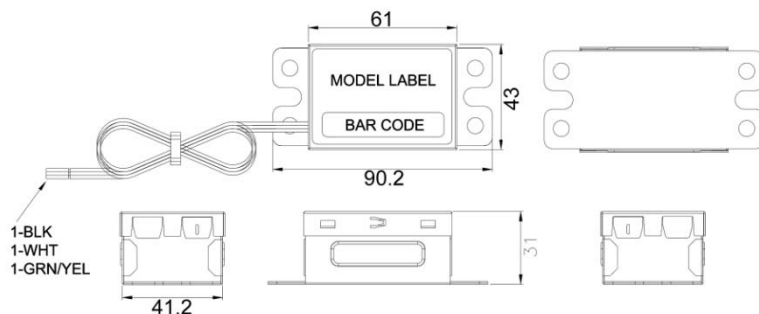
### Output Specifications

| Product Name | Input Voltage | Input Current | Max Clamping Voltage | Max Surge Current | Surge Rating |
|--------------|---------------|---------------|----------------------|-------------------|--------------|
| PDA-SURGE    | 90-305VAC     | 8A            | 845V                 | 13000A            | 445 Joules   |
| PDA-SURGE-P  | 90-305VAC     | 8A            | 845V                 | 13000A            | 445 Joules   |

### Wiring Diagram



### Dimension Diagram



### Wire Connections

| Position        | Length | Gauge |
|-----------------|--------|-------|
| Line – Black    | 600mm  | AWG22 |
| Neutral – White | 600mm  | AWG22 |
| Ground - Green  | 600mm  | AWG22 |