

AC centrifugal fan

forward-curved, single-intake

with housing (flange)

ebm-papst Mulfingen GmbH & Co. KG

Bachmühle 2 · D-74673 Mulfingen

Phone +49 7938 81-0

Fax +49 7938 81-110

info1@de.ebmpapst.com

www.ebmpapst.com

Limited partnership · Headquarters Mulfingen

Amtsgericht (court of registration) Stuttgart · HRA 590344

General partner Elektrobau Mulfingen GmbH · Headquarters Mulfingen

Amtsgericht (court of registration) Stuttgart · HRB 590142

Nominal data

Type	G2E146-DW07-01				
Motor	M2E068-CA				
Phase		1~	1~	1~	1~
Nominal voltage	VAC	230	230	240	240
Frequency	Hz	50	60	50	60
Method of obtaining data		fa	ml	ml	ml
Valid for approval/standard		CE	CE	CE	CE
Speed	min ⁻¹	1550	1750	1775	2150
Power consumption	W	140	155	130	140
Current draw	A	0.62	0.68	0.55	0.59
Capacitor	µF	3	3	2.5	2.5
Capacitor voltage	VDB	450	450	450	450
Capacitor standard		P0 (CE)	P0 (CE)	P0 (CE)	P0 (CE)
Min. back pressure	Pa	0	100	50	250
Min. ambient temperature	°C	-25	-25	-25	-25
Max. ambient temperature	°C	45	30	45	45
Starting current	A	0.69	0.71	0.67	0.7

ml = Max. load · me = Max. efficiency · fa = Free air · cs = Customer specification · ce = Customer equipment
Subject to change



AC centrifugal fan

forward-curved, single-intake
with housing (flange)

Technical description

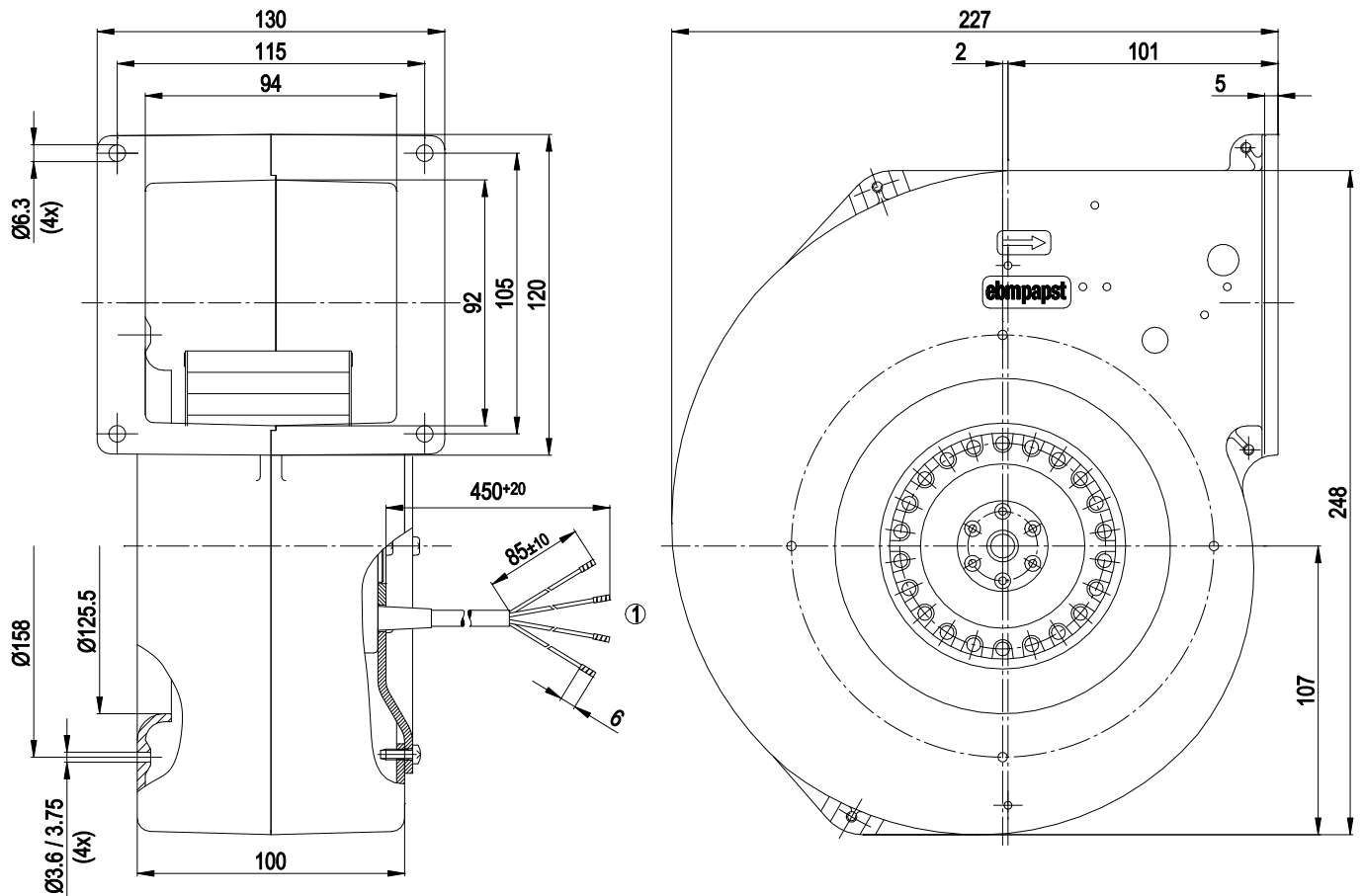
Weight	2.9 kg
Fan size	146 mm
Rotor surface	Partly cast in aluminum
Impeller material	Sheet steel, sendzimir galvanized
Housing material	Die-cast aluminum
Direction of rotation	Clockwise, viewed toward rotor
Degree of protection	IP44; installation- and position-dependent
Insulation class	"B"
Moisture protection class	F0
Max. permitted ambient temp. for motor (transport/storage)	+ 80 °C
Min. permitted ambient temp. for motor (transport/storage)	- 40 °C
Installation position	Any
Condensation drainage holes	None
Mode	S1
Motor storage	Ball bearing
Touch current according to IEC 60990 (measuring circuit Fig. 4, TN system)	< 0.75 mA
Motor protection	Thermal overload protector (TOP) internally connected
Protection class	I (with customer connection of protective earth)
Conformity with standards	EN 60335-1; CE
Approval	EAC; CCC



AC centrifugal fan

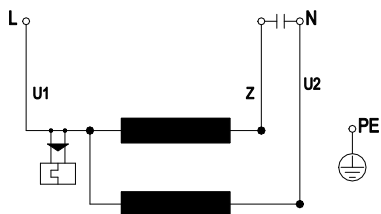
forward-curved, single-intake
with housing (flange)

Product drawing



1 Cable PVC, 4x crimped splices

Connection diagram



U1	blue	Z	brown	U2	black
PE	green/yellow				

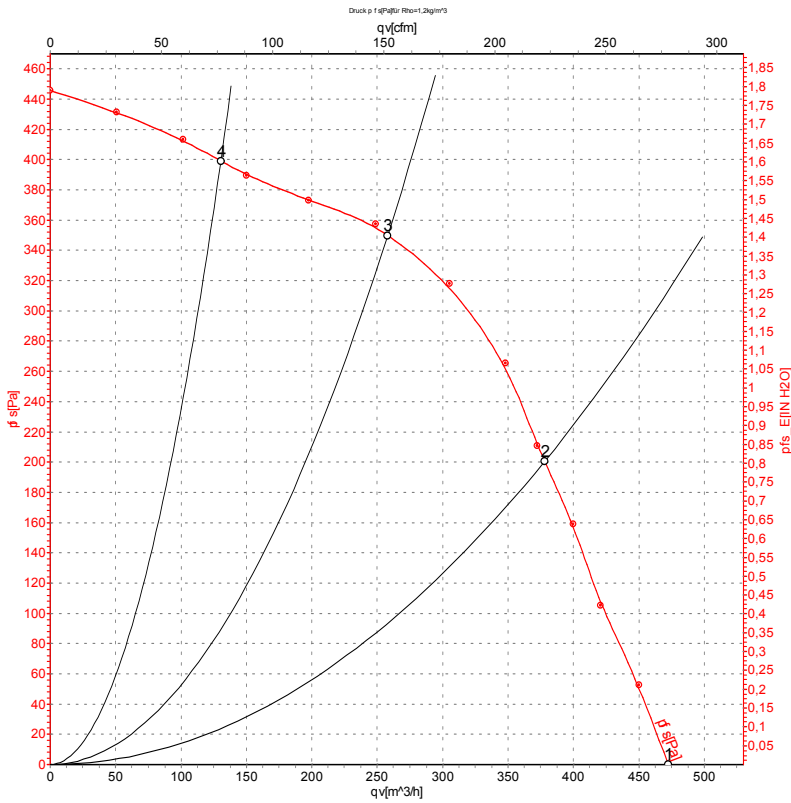


AC centrifugal fan

forward-curved, single-intake

with housing (flange)

Curves: Air performance 50 Hz



Measurement: LU-105087

Air performance measured according to ISO 5801 installation category A. For detailed information on the measurement setup, contact ebm-papst. Intake sound level: Sound power level according to ISO 13347 / sound pressure level measured at 1 m distance from fan axis. The values given are valid under the specified measuring conditions and may vary due to conditions of installation. For deviations from the standard configuration, the parameters have to be checked on the installed unit.

Measured values

	U	f	n	P _e	I	qv	p _{fs}
	V	Hz	min ⁻¹	W	A	m ³ /h	Pa
1	230	50	1550	140	0.62	475	0
2	230	50	2035	122	0.53	380	200
3	230	50	2395	104	0.45	260	350
4	230	50	2605	91	0.40	130	400

U = Power supply · f = Frequency · n = Speed · P_e = Power consumption · I = Current draw · qv = Air flow · p_{fs} = Pressure increase

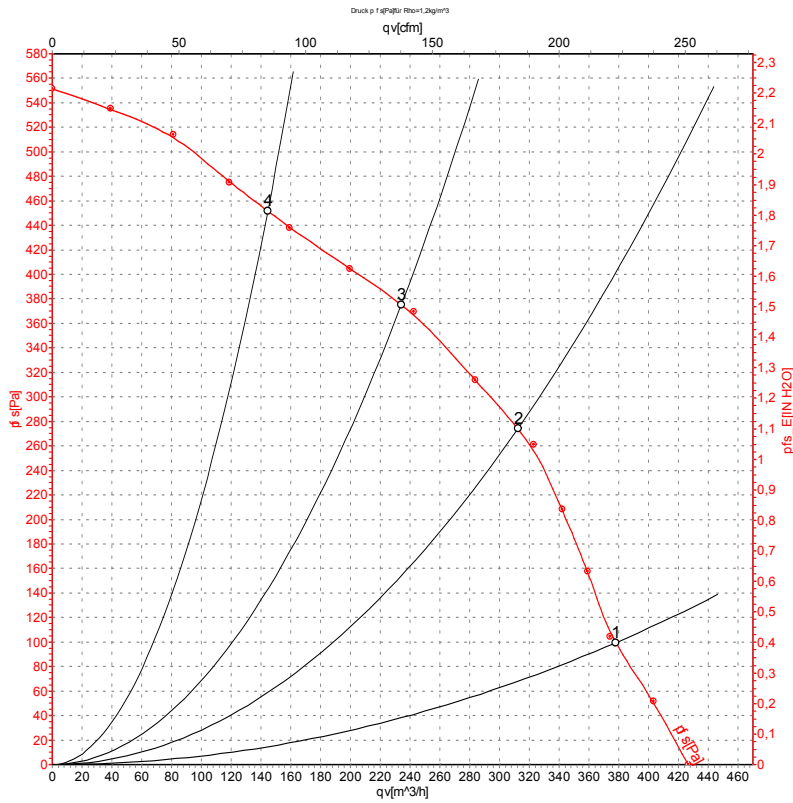


AC centrifugal fan

forward-curved, single-intake

with housing (flange)

Curves: Air performance 60 Hz



Measurement: LU-105090

Air performance measured according to ISO 5801 installation category A. For detailed information on the measurement setup, contact ebm-papst. Intake sound level: Sound power level according to ISO 13347 / sound pressure level measured at 1 m distance from fan axis. The values given are valid under the specified measuring conditions and may vary due to conditions of installation. For deviations from the standard configuration, the parameters have to be checked on the installed unit.

Measured values

	U	f	n	P _e	I	qv	p _{is}
	V	Hz	min ⁻¹	W	A	m ³ /h	Pa
1	230	60	1750	155	0.68	380	100
2	230	60	2145	144	0.62	310	275
3	230	60	2500	137	0.59	235	375
4	230	60	2775	130	0.57	145	450

U = Power supply · f = Frequency · n = Speed · P_e = Power consumption · I = Current draw · qv = Air flow · p_{is} = Pressure increase

