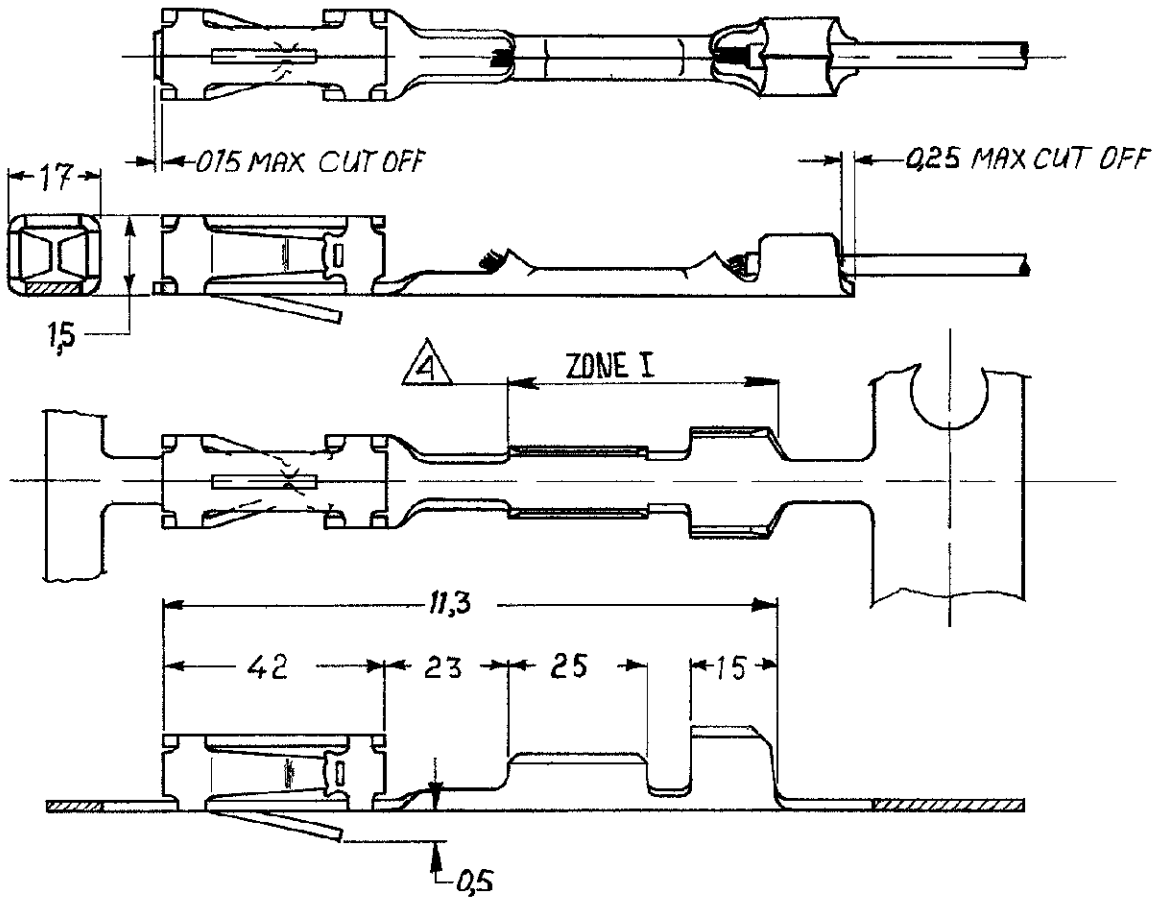


NUMBER C-167022 -E

DRAWING MADE IN AMERICAN PROJECTION

**NOTES**

- 1 FOR MINI-APPLICATOR CRIMPING
- 2 UNDERCOATING 1,25  $\mu$ M Ni, SELECTIVE 0,8  $\mu$ M Au, NO GOLD FLASH
- 3 UNDERCOATING 1,25  $\mu$ M Ni, SELECTIVE 0,8  $\mu$ M Au, REMAINDER GOLD-FLASH
- 4 ZONE I BRIGHT TIN/LEAD PLATED
- 5 PRE TIN PLATED 2,0  $\mu$ M
- 6 MATERIAL: PHOS BRONZE



DIMENSIONS IN MM DO NOT SCALE PRINT

**CUSTOMER COPY FOR REFERENCE ONLY**

©1982 BY AMP HOLLAND N V ALL RIGHTS RESERVED A MP PRODUCTS COVERED BY PATENTS AND OR PATENTS PENDING



AMP HOLLAND B V  
s Hertogenbosch

167022 -3	167025 3	TIN	5
167022 -2	167025 2	GOLD	3
167022 1	167025 - 1	GOLD	4, 2

WIRE RANGE 28-38 AWG 0,08-0,09 mm	NSU RANGE -0,20 0,40 0,5 1,0 2,0 mm	RS USED
---	---	---------

ORDER NO	LOOSE PIECE	PLATING
----------	-------------	---------

SCALE 8:1	S Z E A	NO C-167022 -E	REV 0
--------------	------------	-------------------	----------

DR L. Jans 7/5 82	DE	DA E
CHK C. van den Burg	DATE 11/5 82	APP [Signature]
	DATE 11/5 82	

NAME AMP MODU MOD V RECEPTACLE