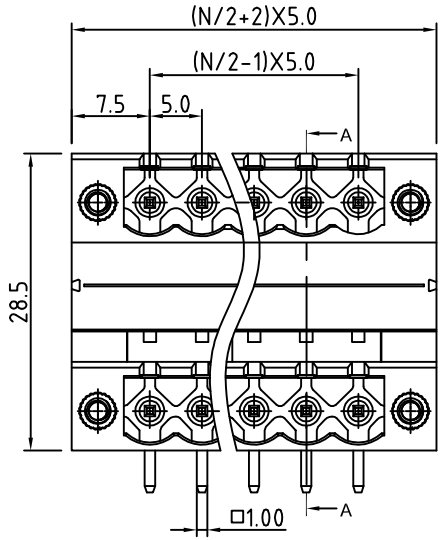
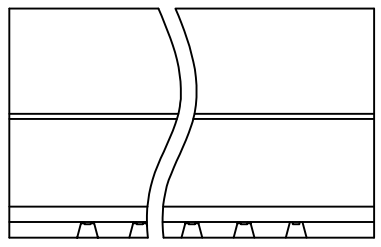
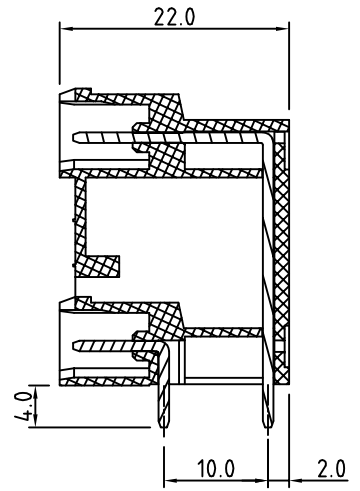
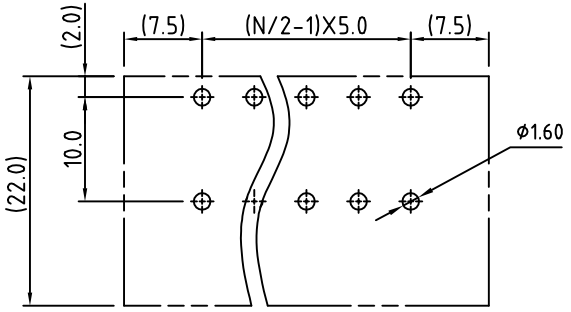


SIGN	DATE	DESCRIPTION	APPROVER
		THIS IS CAD DRAWING, DO NOT REVISE MANUALLY!!!	



N=NUMBER OF POLES

P.C.B LAYOUT



SEC A-A

**Material**

- Terminal body (Contact pin): Brass Whit Tin plated
- Flange screw nut: Brass M2.5
- Insulator (housing): Thermoplastic (UL94V-0)

**Electrical cULus**

- Voltage rating: 300VAC
- Current rating: 20A
- Withstanding Voltage: 1.6KV
- Operating temperature: -30°C to +105°C
- Soldering temperature: 250°C±10°C/5 Sec
- Safety Approval:

RoHS Compliant



PART NUMBER:

**OSTVLXX7251**

- |                |                     |
|----------------|---------------------|
| No. of Poles   | COLOR               |
| 04: 2x02 Poles | 0: Black            |
| 06: 2x03 Poles | 5: Green (Standard) |
| :              | 6: Blue             |
| 48 2x24 Poles  | 8: Grey             |



THESE DRAWINGS AND SPECIFICATIONS ARE THE PROPERTY OF ON-SHORE TECHNOLOGY, INC. AND SHALL NOT BE REPRODUCED, COPIED OR USED IN ANY MANNER WITHOUT THE PRIOR WRITTEN CONSENT OF ON-SHORE TECHNOLOGY, INC.

TITLE		OSTVL-5.0mm Series With Flange right-angle 2x2p-2x24p			
PART NO.	OSTVLXX7251	DWG NO.	OSTVLXX7251.DWG		
APPROVED	CHECKED	DESIGNED	DRAWN	CUST NO.	Tolerance
Shi Jun 2006.10.23	Marvin 2006.10.23	Marvin 2006.10.23	Marvin 2006.10.23		X. ±0.50 X.X ±0.30 X.XX ±0.10 X° ±1°
				UNIT: mm	
				SCALE: NONE	
				SHEET: 01/01	REV: D