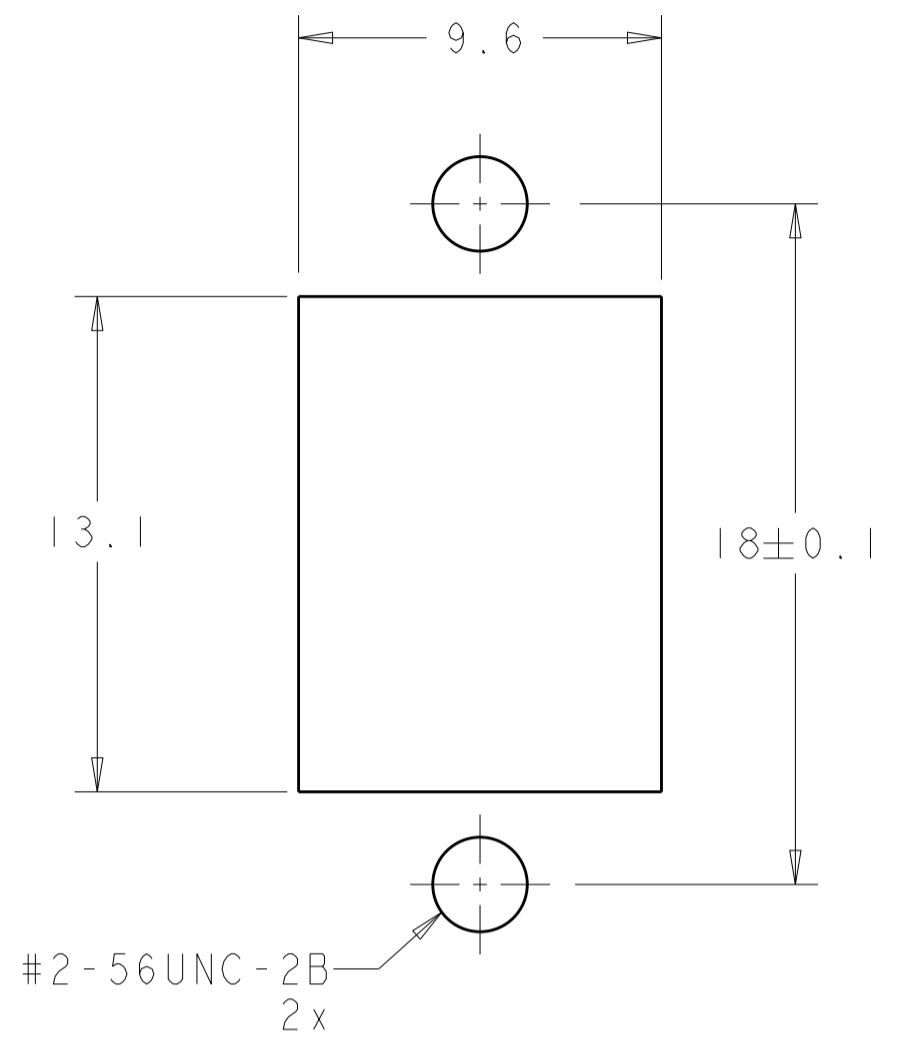
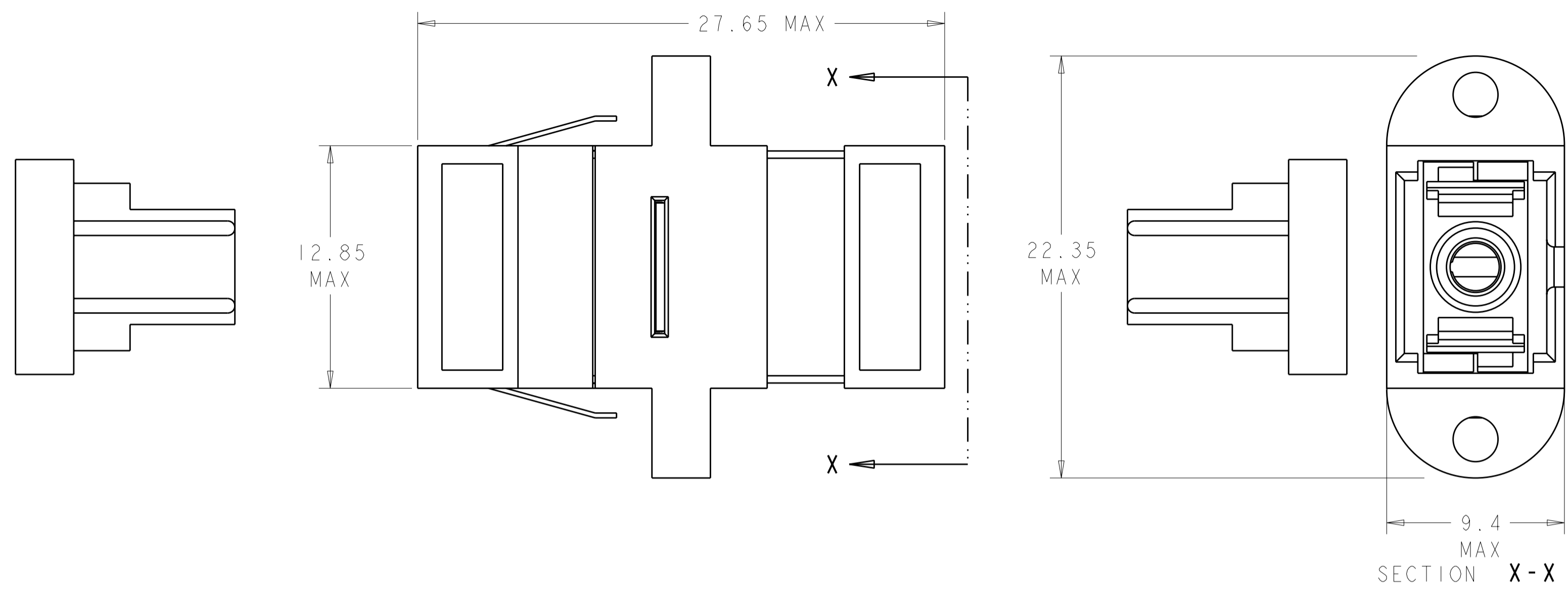


THIS DRAWING IS UNPUBLISHED. RELEASED FOR PUBLICATION
 © COPYRIGHT 2011 ALL RIGHTS RESERVED.

REVISIONS					
P	LTR	DESCRIPTION	DATE	DWN	APVD
F2		REVISED PER ECO-11-005140	16APR2011	RK	HMR

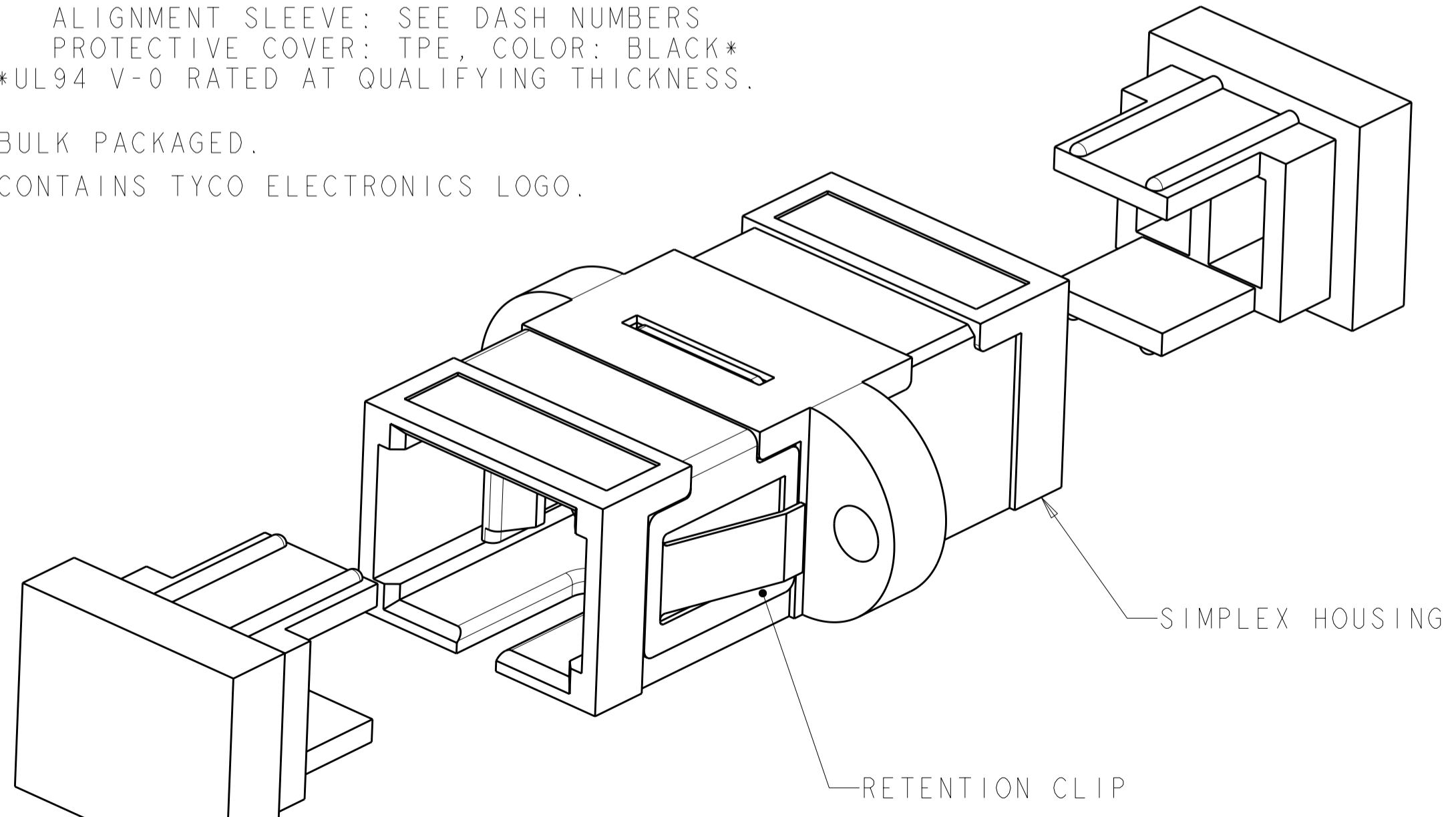


MATERIAL:
 HOUSING: PBT-GF30, SEE DASH NUMBERS FOR COLOR*
 RETAINER: PEI-GF30, COLOR: BLACK*
 RETENTION CLIP: STAINLESS STEEL
 ALIGNMENT SLEEVE: SEE DASH NUMBERS
 PROTECTIVE COVER: TPE, COLOR: BLACK*
 *UL94 V-0 RATED AT QUALIFYING THICKNESS.

2 BULK PACKAGED.
3 CONTAINS TYCO ELECTRONICS LOGO.

SUGGESTED PANEL CUTOUT
 MAX. PANEL THICKNESS 1.7

2	CERAMIC	GREEN	2-5502632-6
3	CERAMIC	BLUE	2-5502632-5
	CERAMIC	AQUA	2-5502632-4
	METAL	AQUA	2-5022632-3
	CERAMIC	GREEN	2-5502632-2
	METAL	GREEN	2-5502632-1
2	CERAMIC	BLUE	1-5502632-8
	CERAMIC	BEIGE	1-5502632-2
	CERAMIC	BLUE	1-5502632-1
	CERAMIC	BLACK	1-5502632-0
	METAL	BEIGE	5502632-9
	METAL	BLUE	5502632-8
	METAL	BLACK	5502632-7
	ALIGNMENT SLEEVE	COLOR	PART NUMBER



THIS DRAWING IS A CONTROLLED DOCUMENT.		DWN B. BRIGGS 3MAY2005	TE Connectivity	
DIMENSIONS: mm		CHK S. MILLER 3MAY2005		
TOLERANCES UNLESS OTHERWISE SPECIFIED:		APVD S. BUCHTER 3MAY2005	NAME RECEPTACLE ASSEMBLY, SC TO SC	
0 PLC ± 1 PLC ±0.1 2 PLC ±0.05 3 PLC ± 4 PLC ± ANGLES ± FINISH ±		PRODUCT SPEC -	SIZE A2	
MATERIAL		APPLICATION SPEC -	CAGE CODE -	DRAWING NO 5502632
1		WEIGHT -	SCALE 5:1	SHEET 1 OF 1
CUSTOMER DRAWING		REV F2		