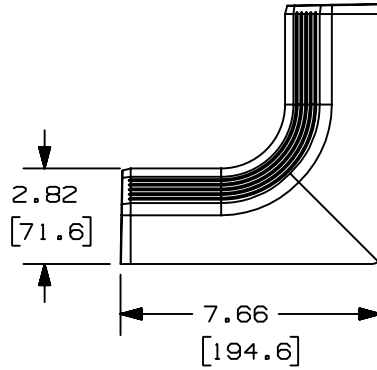
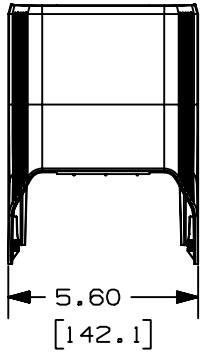


THIS COPY IS PROVIDED ON A RESTRICTED BASIS AND IS NOT TO BE USED IN ANY WAY DETRIMENTAL TO THE INTERESTS OF PANDUIT CORP.

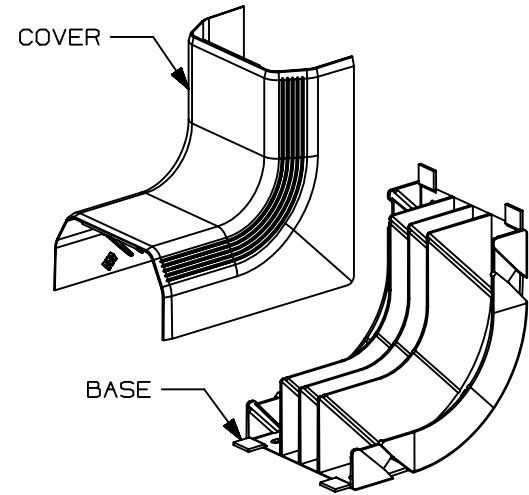
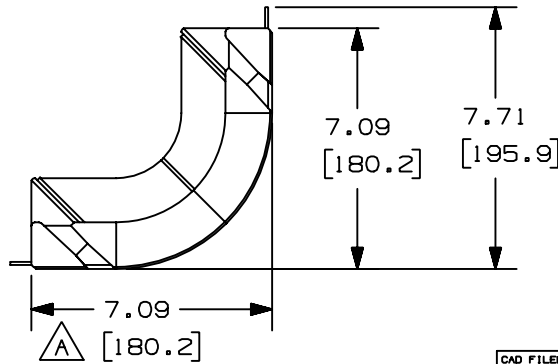
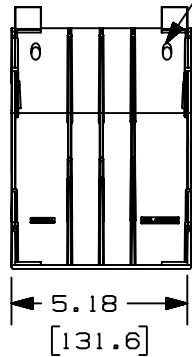
PANDUIT P/N	WEIGHT
TGSIC	1.46 LB (662.8 g)

NOTES:

1. SEE CURRENT CATALOG FOR ADDITIONAL PART SUFFIXES TO INDICATE COLOR AND OR PACKAGE QUANTITY.
2. THIS PRODUCT IS INTENDED TO OVERLAP BOTH TG COVERS.
3. DIMENSIONS IN PARENTHESIS ARE IN METRIC.



MOUNTING HOLES  
(4 PLACES)



CAD FILENAME/LAYERS D38598BC\_DC\_TGSIC\_00C.PRT

**PANDUIT** CORP. TINLEY PARK, ILLINOIS  
 TG STANDARD INSIDE CORNER FITTING (TGSIC)  
 CUSTOMER DRAWING

UNLESS OTHERWISE SPECIFIED,  
 DIMENSIONAL TOLERANCES ARE:  
 (.X) ± (.XXX) ±  
 (.XX) ±.03(.8) ANGLES ±

UNLESS OTHERWISE SPECIFIED,  
 ALL DIMENSIONS ARE GIVEN  
 IN INCHES, THIRD ANGLE PROJECTION.

REV	DATE	BY	CHK	DESCRIPTION	ECN	CHK	CUST	SUP
2	04-02-04	JBN	PM	RELEASED TO PRODUCTION	38598-03	RGRO	RGRO	
1	10-30-03	JBN	PM	A. REVISED DIMENSION: 7.09 [180.2] WAS 6.95 [176.6]				
R	1-17-03	JHNU	PM	DRAWING RELEASED				

DRAWN BY JHNU	MAT'L: PVC
DATE 1-17-03	
CHECKED BY PM	

SCALE NONE
DRAWING NO. 38598-03

DWG A
SIZE