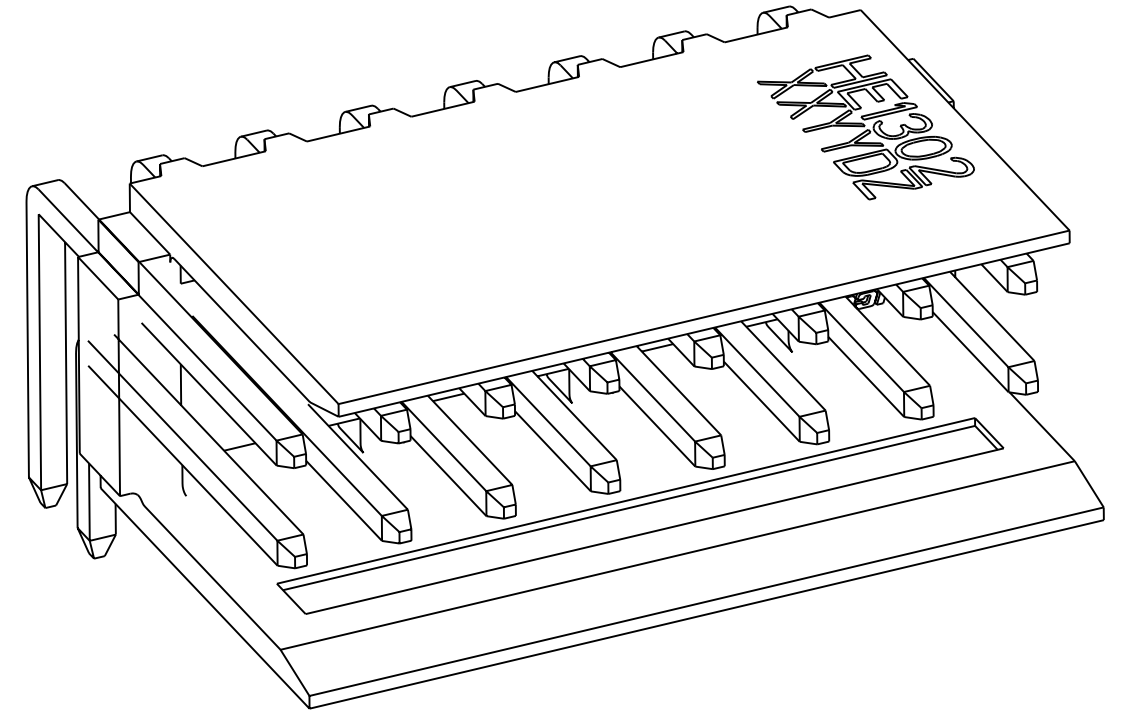
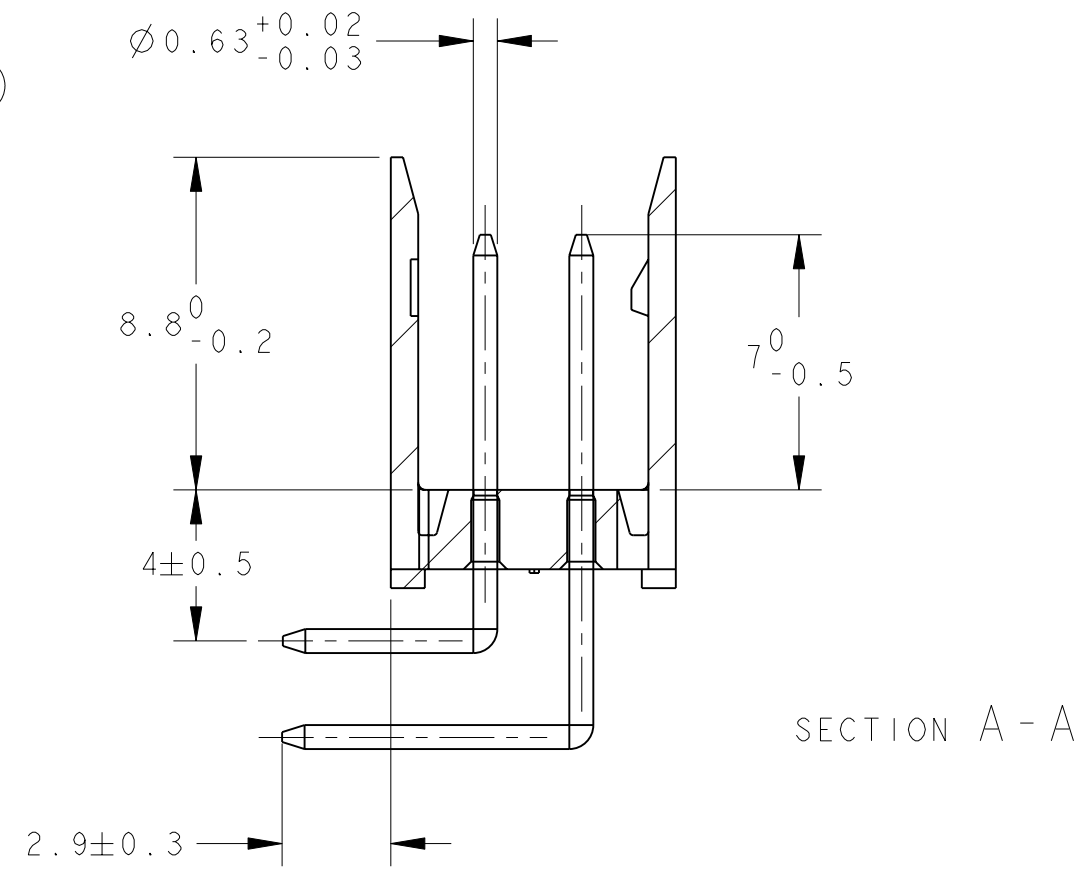
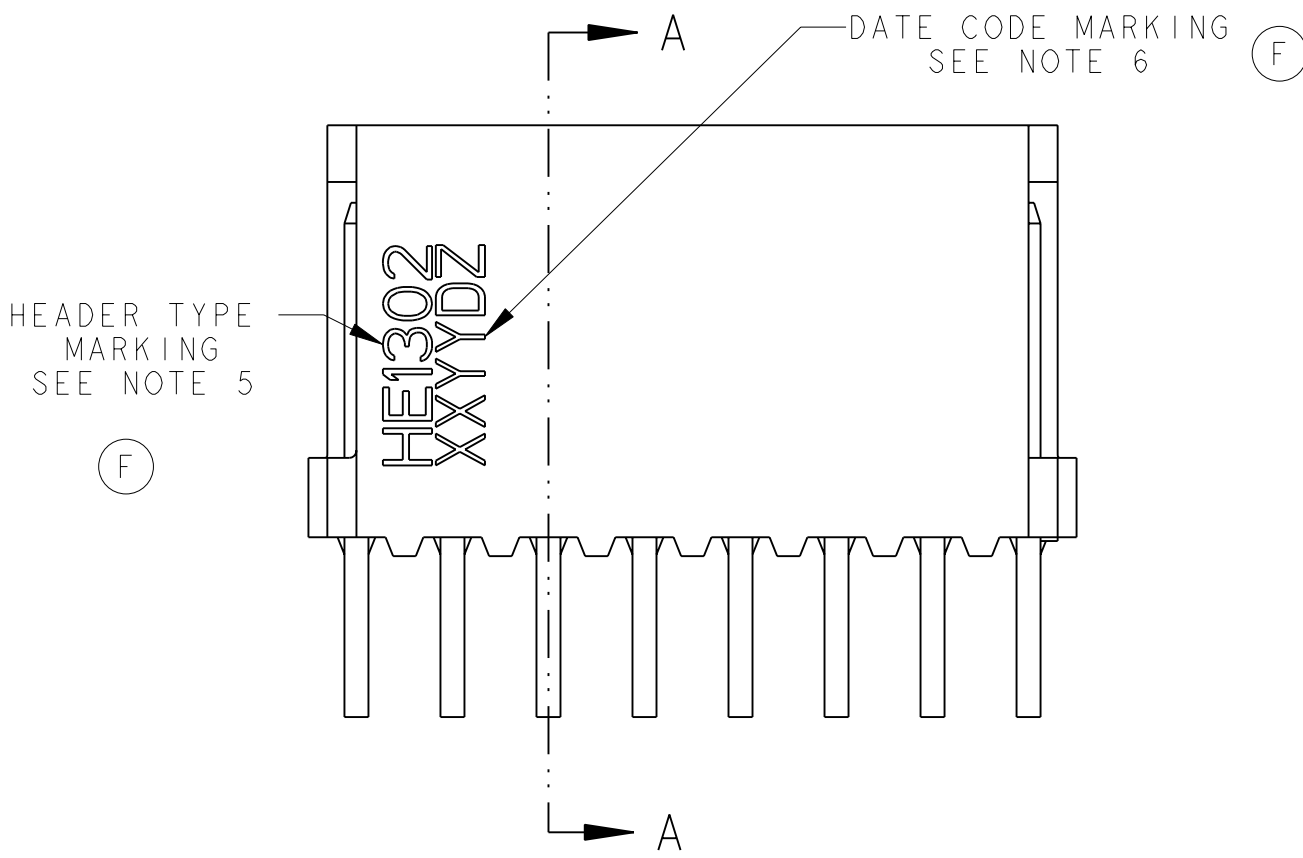
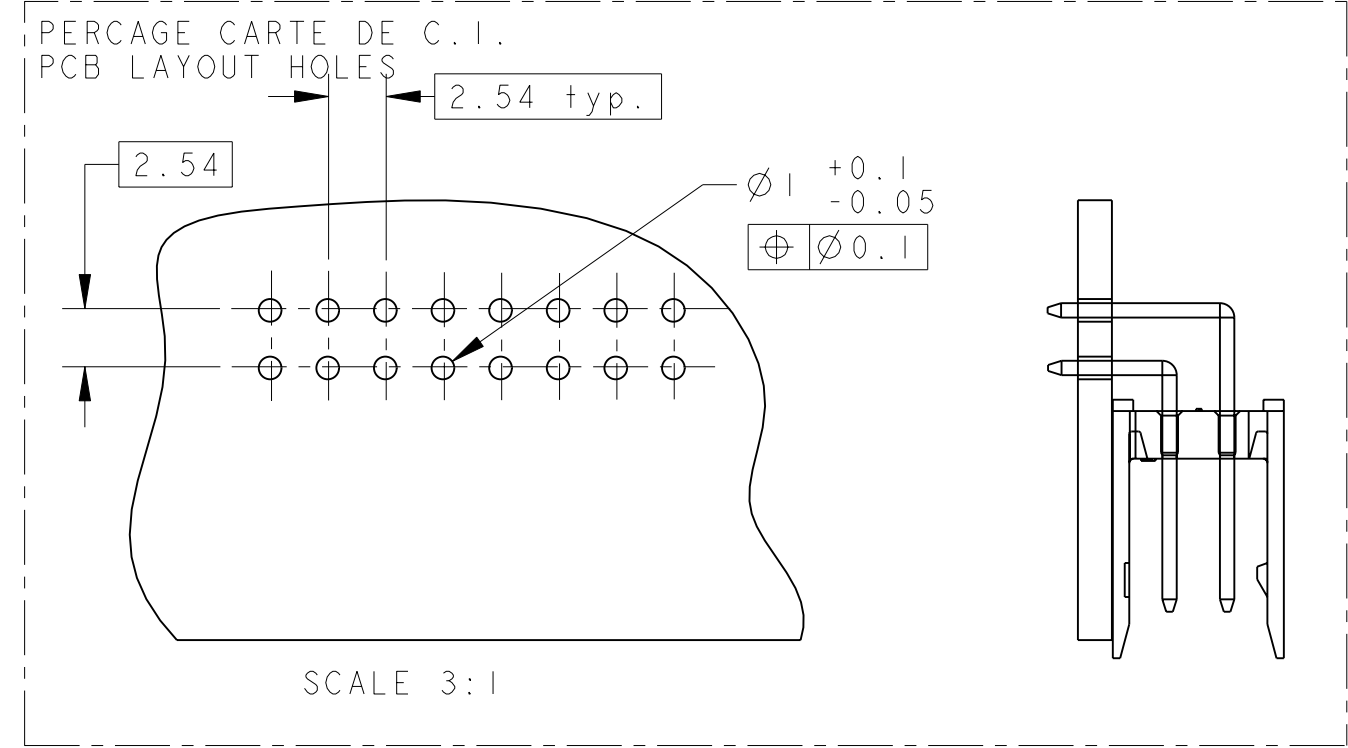
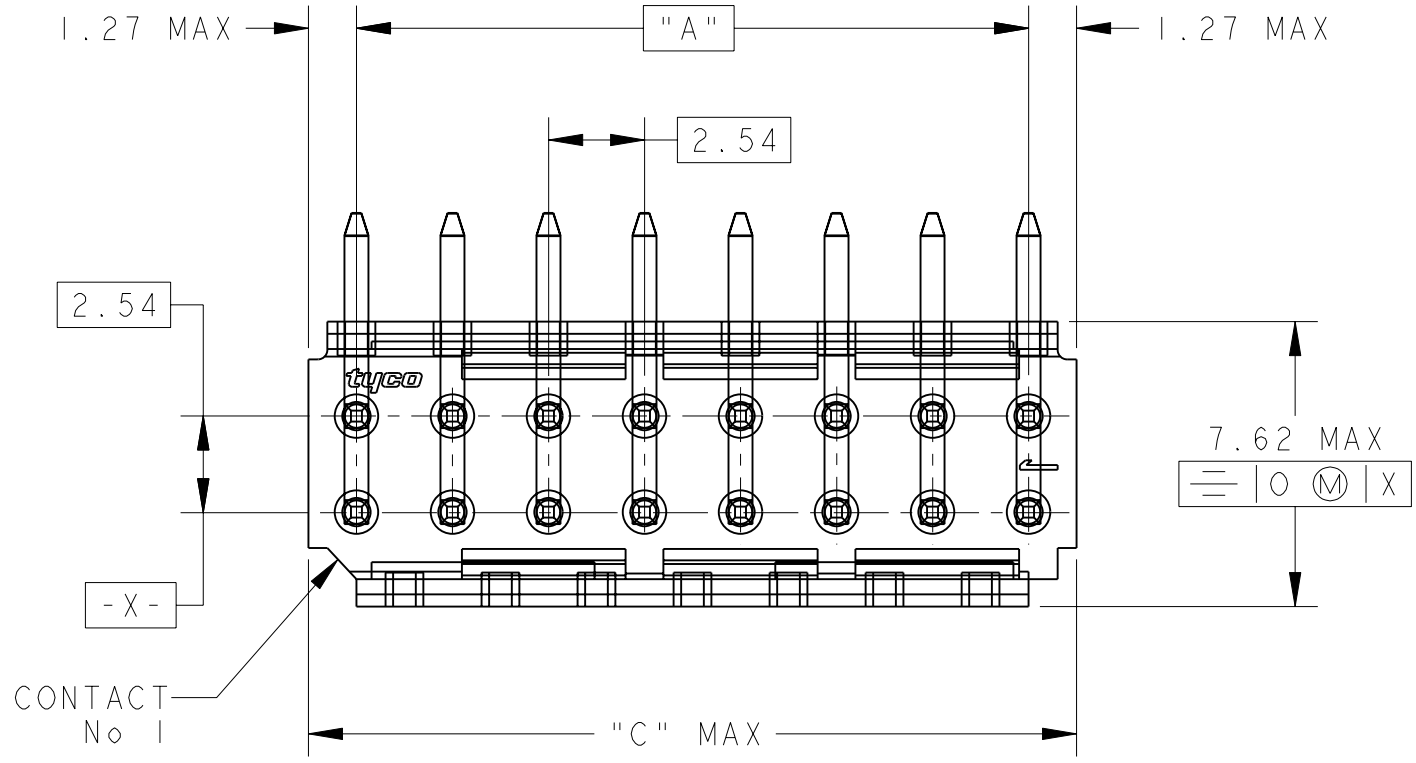


THIS DRAWING IS UNPUBLISHED. DIFFUSION RESTREINTE  
 RELEASED FOR PUBLICATION LIBRE A LA DIFFUSION  
 20  
 BY TYCO ELECTRONICS CORPORATION. ALL RIGHTS RESERVED. TOUS DROITS RESERVES

LOC	DIST	REVISIONS					
F	7	P	LTR	DESCRIPTION MODIFICATIONS	DATE	DWN DESS.	APVD APP.
		E		MATERIAL	09MAY2006	J. D	Y. P
		F		NOTES 5, 6 ADDED	19DEC2008	GM	PEG



SCALE 6:1

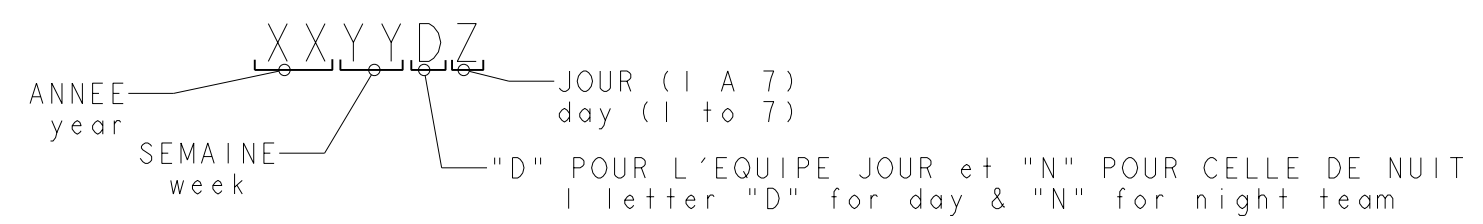


SCALE 3:1

C	A	Nb DE POS	PART NUMBER
50.80	48.26	2x 20	2-281743-0
45.72	43.18	2x 18	1-281743-8 *
43.18	40.64	2x 17	1-281743-7
38.10	35.56	2x 15	1-281743-5 *
33.02	30.48	2x 13	1-281743-3
30.48	27.94	2x 12	1-281743-2 *
25.40	22.86	2x 10	1-281743-0 *
20.32	17.78	2x 8	0-281743-8 *
15.24	12.70	2x 6	0-281743-6 *
12.70	10.16	2x 5	0-281743-5 *
10.16	7.62	2x 4	0-281743-4 *
7.62	5.08	2x 3	0-281743-3 *
5.08	2.54	2x 2	0-281743-2

NOTES:

- CES EMBASES SONT PREVUES POUR ETRE ACCOUPLEES AVEC LES FICHES "HE1402" SIMPLE RANGEE. (These headers are designed to be mated with "HE1402" connectors single row)
- LES REFERENCES SUIVIES D'UN \* SONT LES VERSIONS NORMALISEES SELON LA NORME CEI 603-8 (The parts numbers followed by \* are covered by the international standard IEC 603-8)
- REVETEMENT DES CONTACTS: ETAIN PUR SUR NICKEL (Contacts plating: lead free tin over nickel)
- MATIERE PLASTIQUE: TERMO-PLASTIQUE HAUTE TEMPERATURE, UL-94V0, COULEUR BLEUE (Plastic material: High temperature thermoplastic, UL-94V0, Blue color)  
MATIERE DES CONTACTS: BRONZE PHOSPHOREUX (Contacts material: phosphor bronze)
- MARQUAGE DU TYPE D'EMBASE (HE1402) A L'ENCRE NOIRE (header type marking (HE1402) with black ink)
- MARQUAGE DE LA DATE A L'ENCRE NOIRE : (date code marking with black ink)



THIS DRAWING IS A CONTROLLED DOCUMENT FOR TYCO ELECTRONICS CORPORATION IT IS SUBJECT TO CHANGE AND THE CONTROLLING ENGINEERING ORGANIZATION SHOULD BE CONTACTED FOR THE LATEST REVISION. CE PLAN EST UN DOCUMENT CONTROLE PAR AMP INCORPORATED. IL EST SUSCEPTIBLE D'ETRE REVISE. CONTACTER LE SERVICE TECHNIQUE D'AMP DE FRANCE POUR OBTENIR LA DERNIERE REVISION.		DWN/DESSINE 22NOV2000 C. COMBEDOUZON CHK/VERIFIE 22NOV2000 T. CORRIOL APVD/APPROUVE 22NOV2000 Y. PETRONIN	<b>AMP</b> AMP DE FRANCE 95301 PONTOISE
DIMENSIONS: mm 	TOLERANCES UNLESS OTHERWISE SPECIFIED: (SUIV NB DE DECIMALES) 0 PLC/DEC: ± 1 PLC/DEC: ±0.3 2 PLC/DEC: ± 3 PLC/DEC: ± 4 PLC/DEC: ± ANGLES ±5°	PRODUCT SPEC 108-15053 APPLICATION SPEC WEIGHT MASSE APPROX. -	NAME TITRE HEADERS HE13, DOUBLE ROW, RIGHT ANGLE SIZE FORMAT A2 CAGE CODE 00779 DRAWING NO No PLAN C-281743 RESTRICTED TO RESERVE A -
MATERIAL/MATIERE 4 FINISH/FINITION 3	CUSTOMER DRAWING /PLAN CLIENT UNIQUEMENT POUR REFERENCE SCALE ECHELLE 5:1 SHEET FEUILLE 1 OF DE 1 REV F		