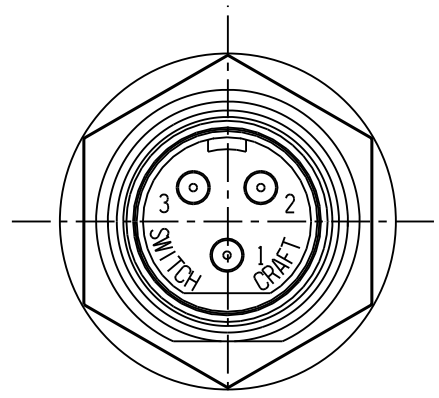
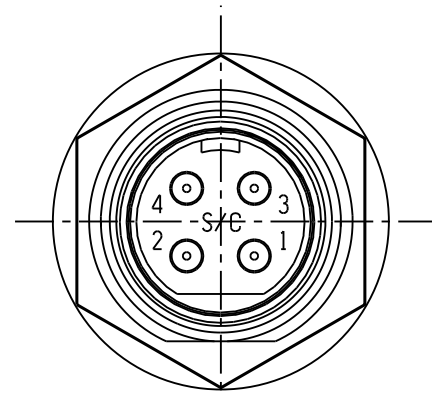


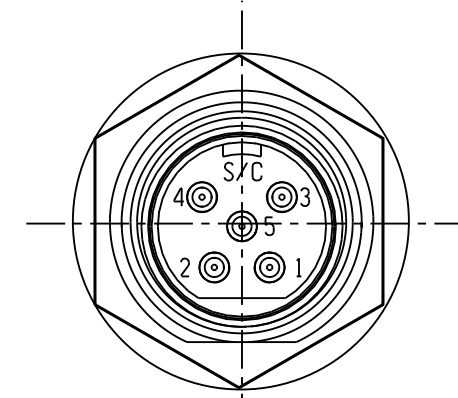
SL172MX
2PIN



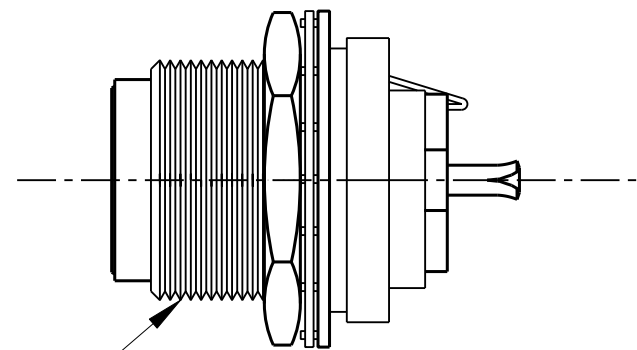
SL173MX
3PIN



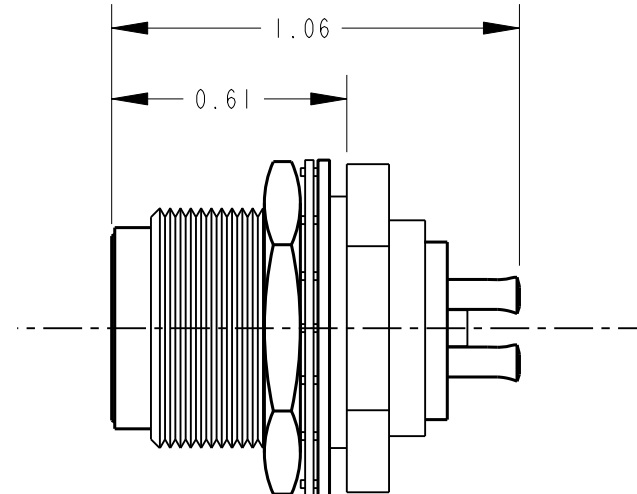
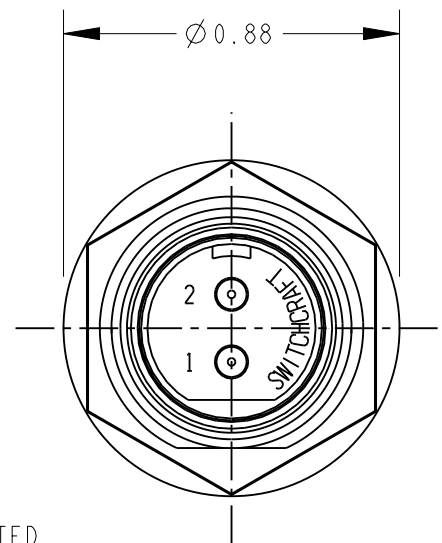
SL174MX
4PIN



SL175MX
5PIN



5/8-27 UNS-2A
THREAD



PART NUMBER	NUMBER OF CONTACT PINS
SL172MX	2
SL173MX	3
SL174MX	4
SL175MX	5

CUSTOMER DRAWING

NOTES:

- MATERIALS:
HOUSING - ZINC ALLOY, NICKEL PLATED
INSULATOR - THERMOPLASTIC, BLACK
CONTACT PINS - COPPER ALLOY, SILVER PLATED
LATCH - STEEL, NICKEL PLATED
HEX NUT - BRASS, NICKEL PLATED
LOCK WASHER - STEEL, NICKEL PLATED
FLAT WASHER - STEEL, NICKEL PLATED
- HOUSING, INSULATOR ASSEMBLY AND HARDWARE SHIPPED UNASSEMBLED.
- THESE PRODUCTS ARE RoHS COMPLIANT.

REV	ECO NUMBER	DATE	BY	APVD
A	26150	9-15-06	TO	TJK
REVISIONS				

- ★ STAR SYMBOL DENOTES CRITICAL DIMENSION
- UNLESS OTHERWISE SPECIFIED
- 1. ALL DIMENSIONS IN INCHES
- TWO PLACE DECIMALS ±0.01
- THREE PLACE DECIMALS ±0.005
- ANGLES ±1°
- ALL DIA. CONCENTRIC WITHIN 0.005 T.I.R.
- 2. FEATURES ON THE SAME CENTERLINE MUST BE ALIGNED WITHIN ±0.002
- 3. REMOVE ALL BURRS

DO NOT SCALE DRAWING

THIS DRAWING DESCRIBES A DESIGN CONSIDERED PROPRIETARY IN NATURE, DEVELOPED AND MANUFACTURED BY SWITCHCRAFT INC. AND IS RELEASED ON A CONFIDENTIAL BASIS FOR IDENTIFICATION PURPOSES ONLY.												
SIZE		WIDTH		MULT		LBS/M		TEMPER				
FINISH						MATERIAL						
SPEC No.						SPEC No.						
FIRST USED ON				SCALE				Switchcraft [®]				
				NONE								
DATE DRAWN	BY	CHKD	APVD									
06-Jan-11	TO	TO	TJK									
		1-6-11	1-10-11									
NAME SLIM-LINE MALE REAR PANEL MOUNT CONNECTOR, RoHS										PART No.		REV
										SL17_MX SERIES		A