

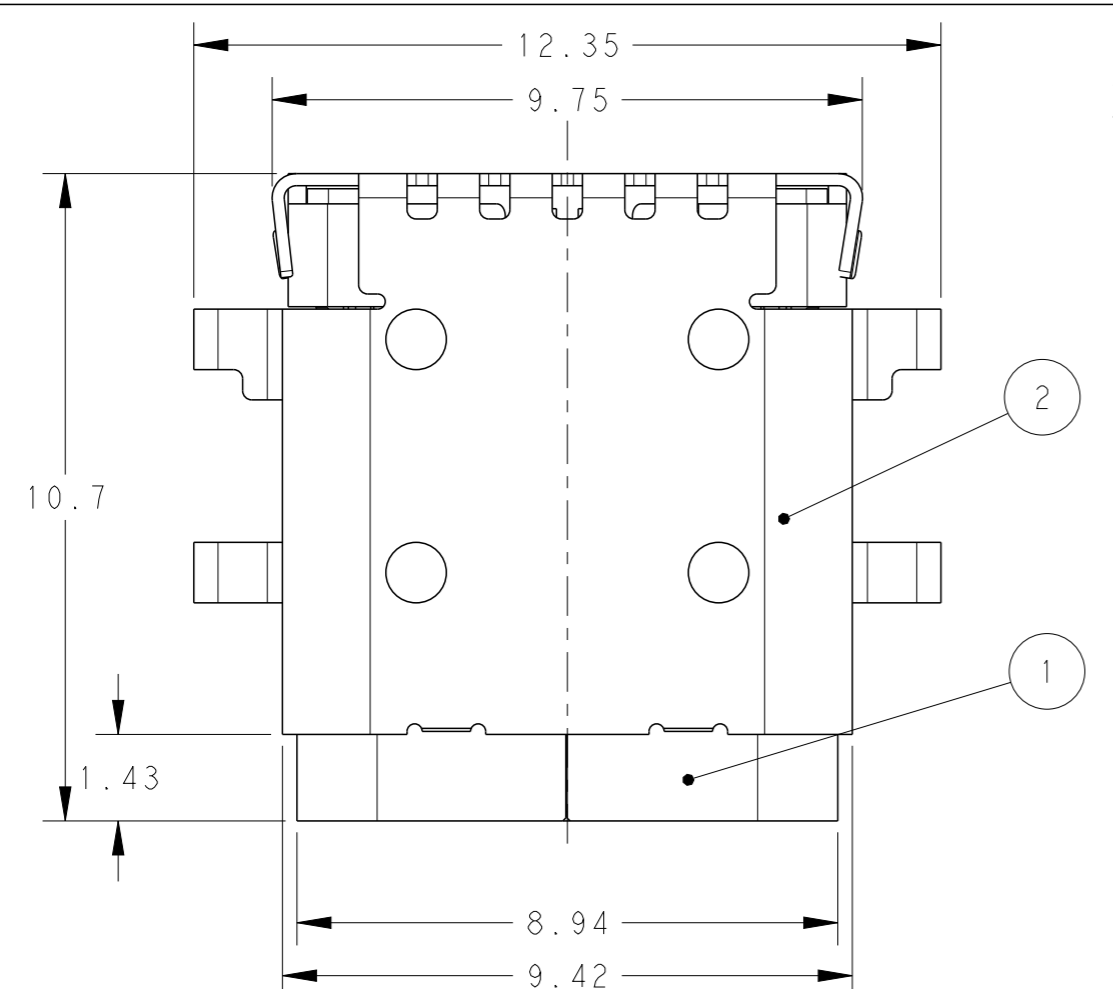
THIS DRAWING IS UNPUBLISHED. RELEASED FOR PUBLICATION 20

© COPYRIGHT 20 BY - ALL RIGHTS RESERVED.

REVISIONS

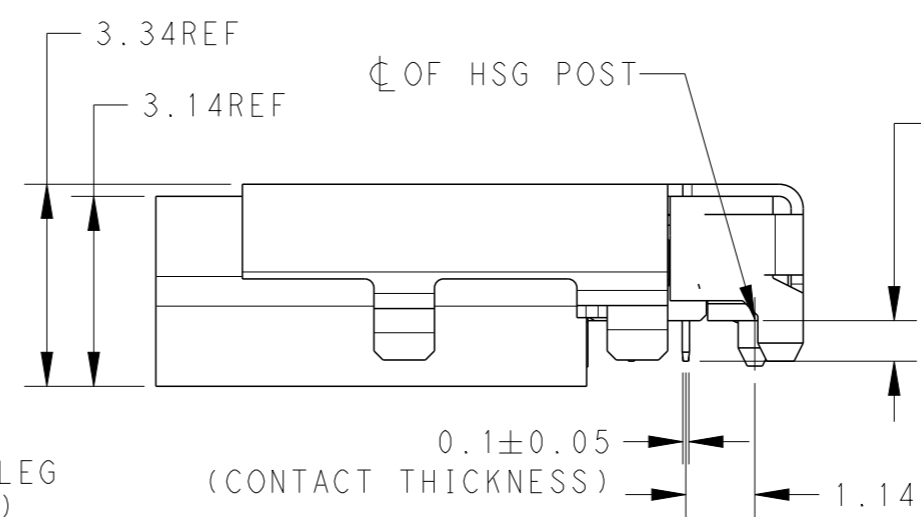
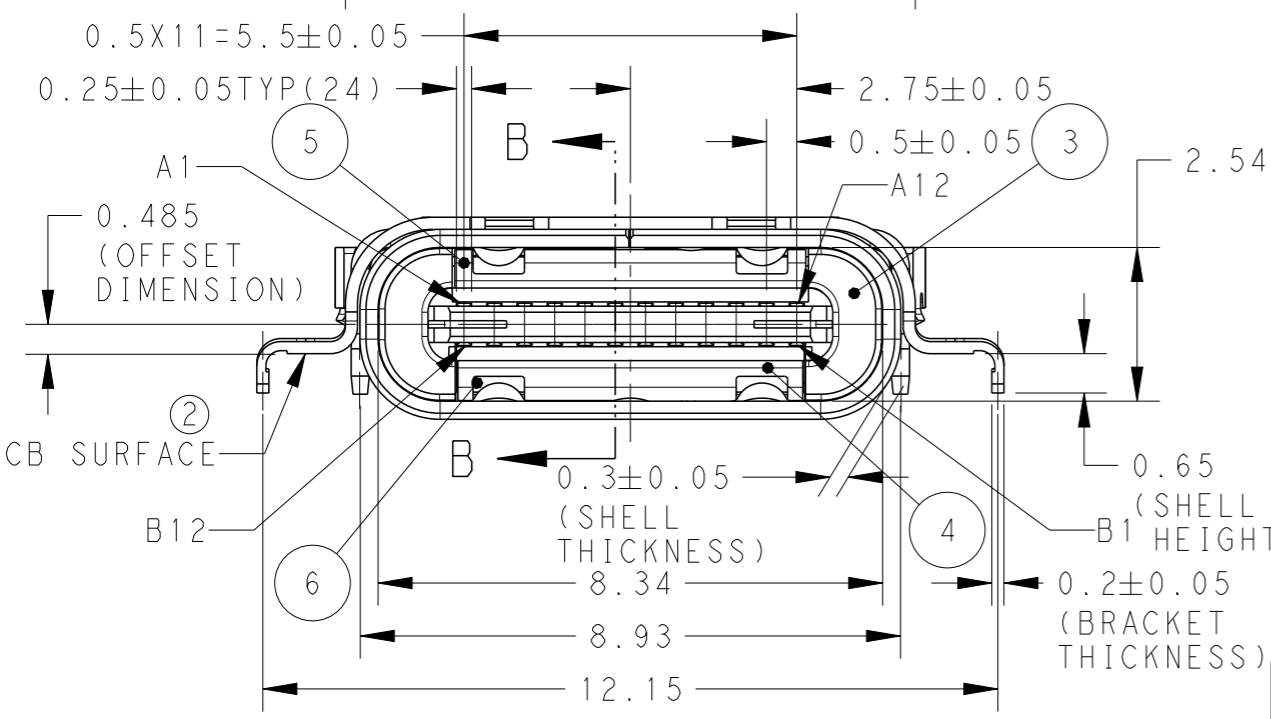
P	LTR	DESCRIPTION	DATE	DWN	APVD
	2	REVISED	28NOV2014	J.L	M.C

2129691-1; AS SHOWN



- △ MATERIAL :
- ① SHELL : STAINLESS STEEL
 - ② SHELL BRACKET : STAINLESS STEEL
 - ③ HOUSING : HIGH TEMPERATURE THERMO PLASTIC, BLACK, UL94V-0
 - ④ SECONDARY HIGH TEMPERATURE THERMO PLASTIC, BLACK, UL94V-0
 - ⑤ UPPER INNER SHELL : STAINLESS STEEL
 - ⑥ LOWER INNER SHELL : STAINLESS STEEL
 - ⑦ UPPER CONTACT : COPPER ALLOY
 - ⑧ LOWER CONTACT : COPPER ALLOY
 - ⑨ MID-PLATE : STAINLESS STEEL
- △ FINISH :
- CONTACT : ALL OVER NI PLATING(2.0um)
CONTACT AREA AU PLATING (0.75um)
SOLDERTAIL AREA TIN PLATING(2.0um)
 - SHELL : ALL OVER NI PLATING (1.3um)
 - BRACKET : ALL OVER NI PLATING (1.3um)

DESIGN APPROVED THIS PRINT IS
PRELIMINARY
 TO FIRST PIECE APPROVAL
 CONTACT PRODUCT ENGINEERING
 BEFORE USING THIS PRINT



Q'TY	NAME	ITEM
1	MID PLATE	⑨
12	LOWER CONTACT	⑧
12	UPPER CONTACT	⑦
1	LOWER INNER SHELL	⑥
1	UPPER INNER SHELL	⑤
1	SECONDARY HOUSING	④
1	HOUSING	③
1	SHELL BRACKET	②
1	SHELL	①

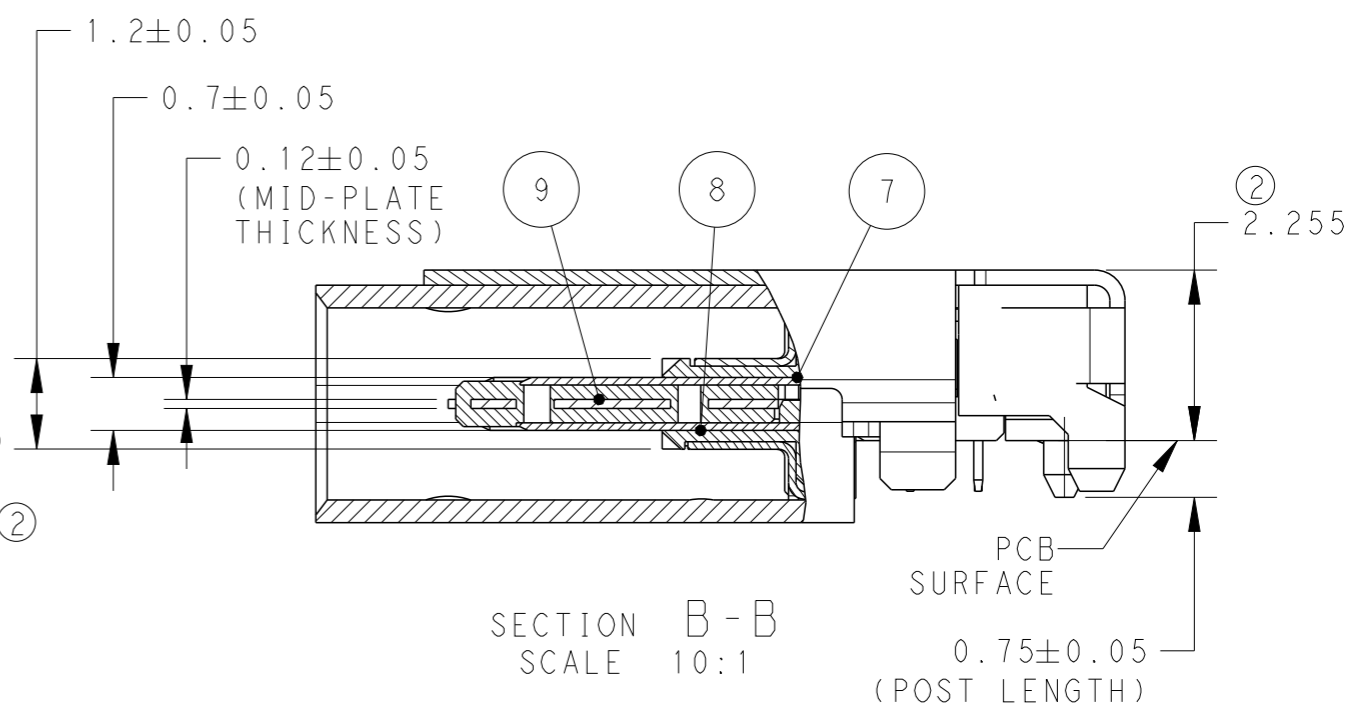
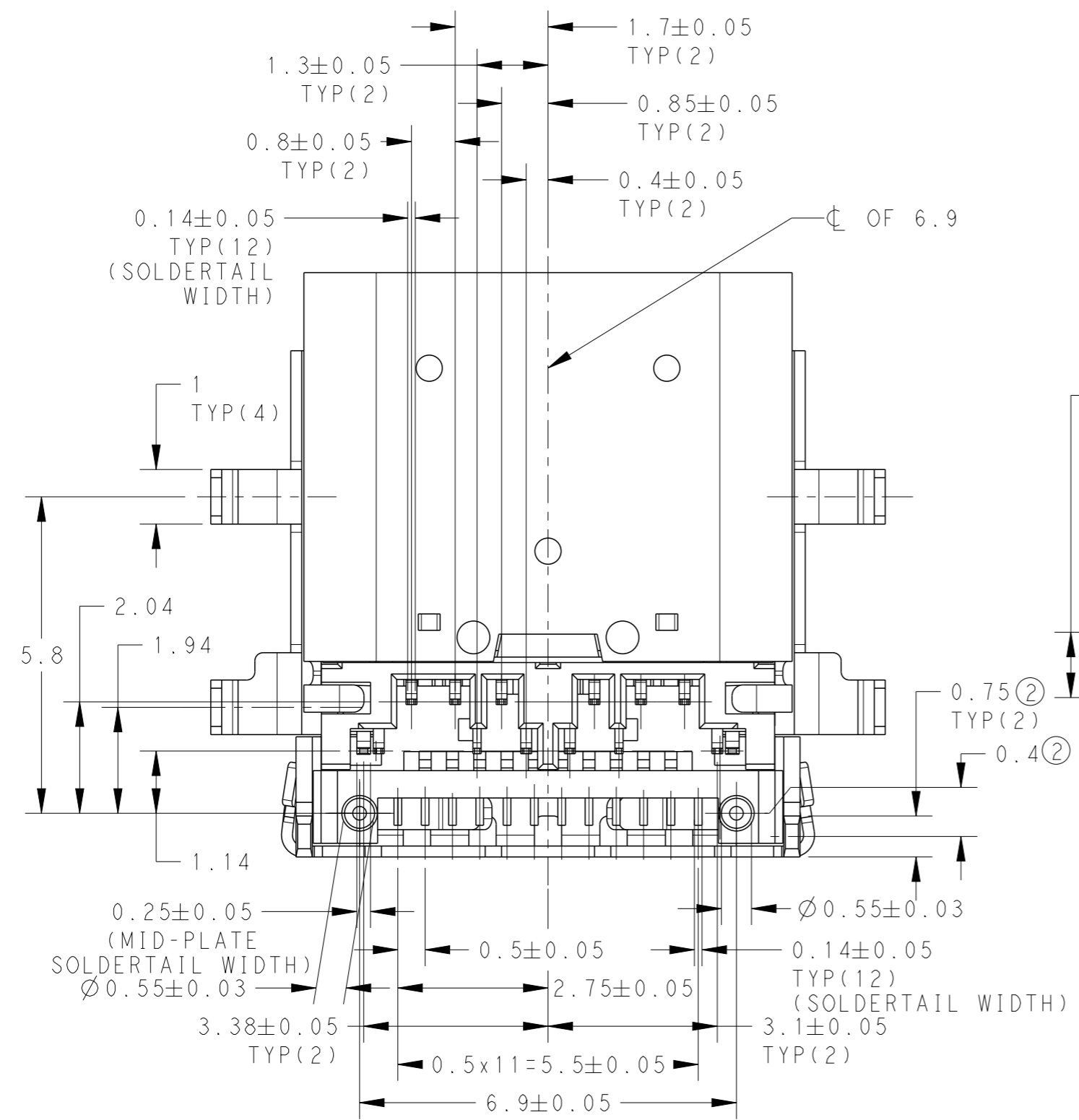
THIS DRAWING IS A CONTROLLED DOCUMENT.		DWN G. SHIH 4NOV2014
DIMENSIONS: mm		CHK M. CHAO 6NOV2014
TOLERANCES UNLESS OTHERWISE SPECIFIED:		APVD M. CHAO 6NOV2014
0 PLC ± ±0.25	1 PLC ± ±0.25	PRODUCT SPEC
2 PLC ± ±3°	3 PLC ± ±	APPLICATION SPEC
4 PLC ± ±	ANGLES ± ±	WEIGHT
MATERIAL ①	FINISH ②	CUSTOMER DRAWING

 TE Connectivity		NAME	
		TYPE-C RECEPTACLE ASSEMBLY OFFSET 0.485MM HYBRID TYPE	
SIZE	CAGE CODE	DRAWING NO	RESTRICTED TO
A3	00779	C-2129691	-
SCALE 8/1		SHEET 1 OF 3	REV 2

VIEW M

P	LTR	DESCRIPTION	DATE	DWN	APVD
-	-	SEE SHEET 1	-	-	-

2129691-1; AS SHOWN



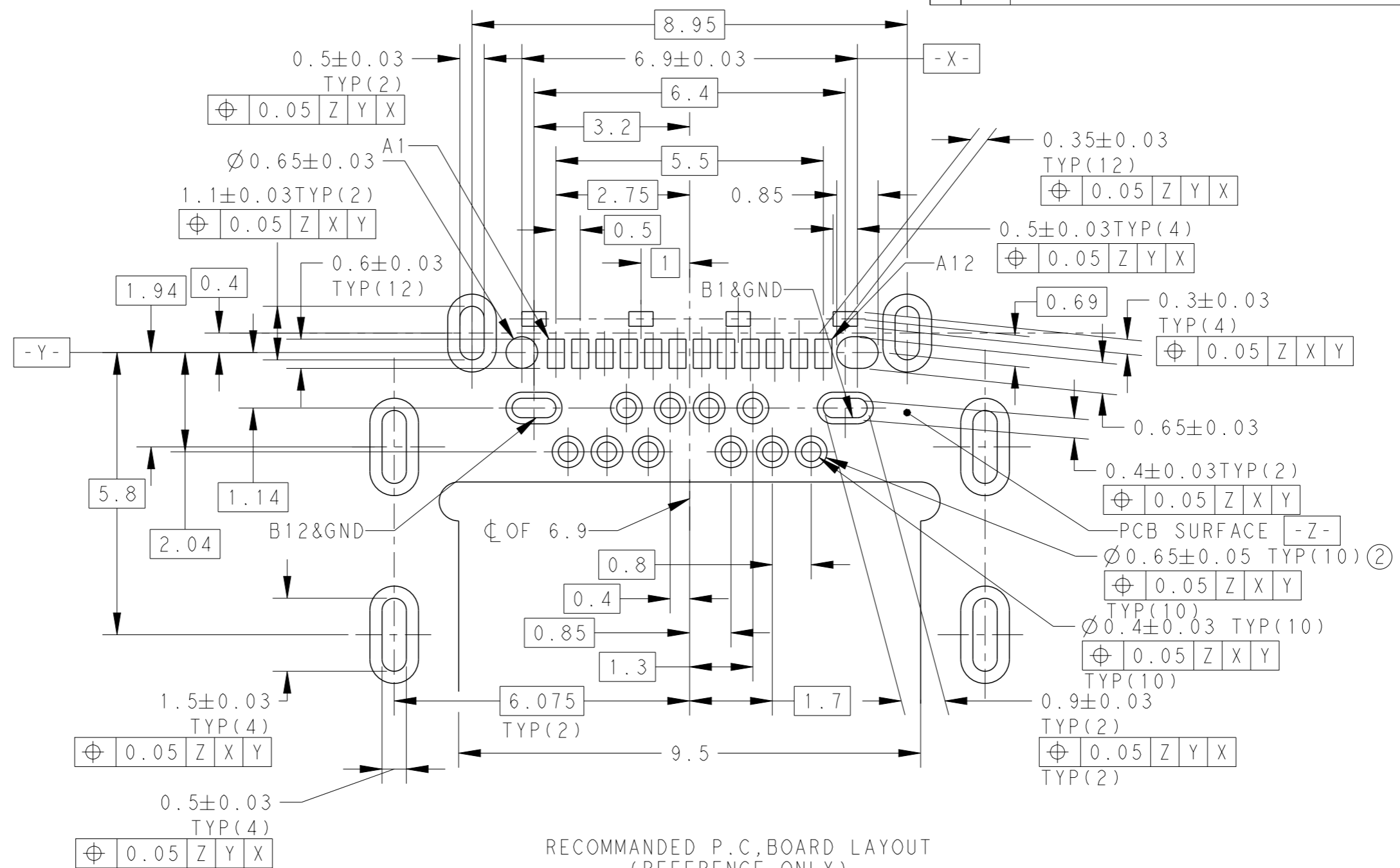
VIEW M SCALE 10:1

DESIGN APPROVED THIS PRINT IS
PRELIMINARY
 TO FIRST PIECE APPROVAL
 CONTACT PRODUCT ENGINEERING
 BEFORE USING THIS PRINT

THIS DRAWING IS A CONTROLLED DOCUMENT.	
DIMENSIONS: mm	TOLERANCES UNLESS OTHERWISE SPECIFIED: 0 PLC ± ±0.25 1 PLC ± ±0.25 2 PLC ± ±3° 3 PLC ± ±3° 4 PLC ± ± ANGLES ± ± FINISH -
MATERIAL -	


DWN -	CHK -	APVD -	PRODUCT SPEC -	APPLICATION SPEC -	WEIGHT -	TE Connectivity NAME TYPE-C RECEPTACLE ASSEMBLY OFFSET 0.485MM HYBRID TYPE		RESTRICTED TO	
CUSTOMER DRAWING						SIZE A3	CAGE CODE 00779	DRAWING NO. C-2129691	
SCALE 8/1						SHEET 2	OF 3	REV 2	

P	LTR	DESCRIPTION	DATE	DWN	APVD
-	-	SEE SHEET 1	-	-	-



RECOMMENDED P.C. BOARD LAYOUT
(REFERENCE ONLY)
SCALE 10:1

DESIGN APPROVED THIS PRINT IS
PRELIMINARY
TO FIRST PIECE APPROVAL
CONTACT PRODUCT ENGINEERING
BEFORE USING THIS PRINT

THIS DRAWING IS A CONTROLLED DOCUMENT.		DWN	-	 TE Connectivity	
DIMENSIONS: mm		CHK	-		
TOLERANCES UNLESS OTHERWISE SPECIFIED:		APVD	-		
0 PLC ±- 1 PLC ± ±0.05 2 PLC ± ±1° 3 PLC ± ±1° 4 PLC ± ± ANGLES ±- FINISH -		PRODUCT SPEC	-		
MATERIAL		APPLICATION SPEC	-	NAME TYPE-C RECEPTACLE ASSEMBLY OFFSET 0.485MM HYBRID TYPE	
		WEIGHT	-	SIZE	A3
		CUSTOMER DRAWING	-	CAGE CODE	00779
				DRAWING NO	C-2129691
				RESTRICTED TO	-
				SCALE	8/1
				SHEET	3 OF 3
				REV	2