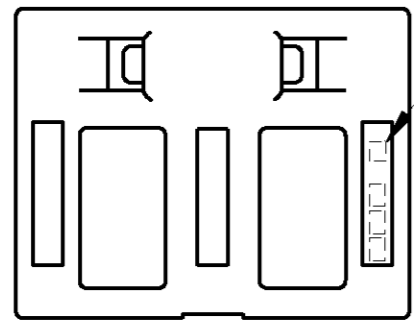
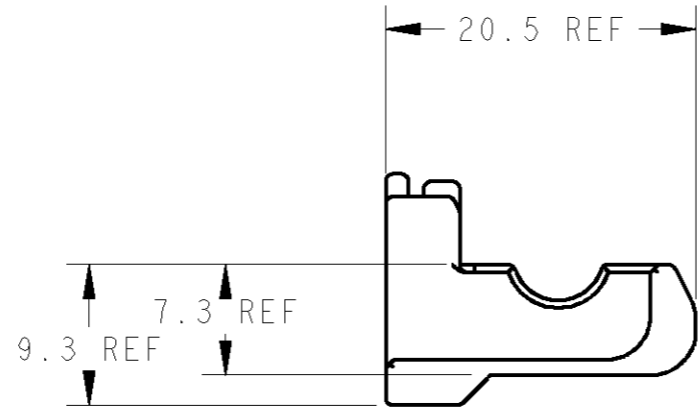
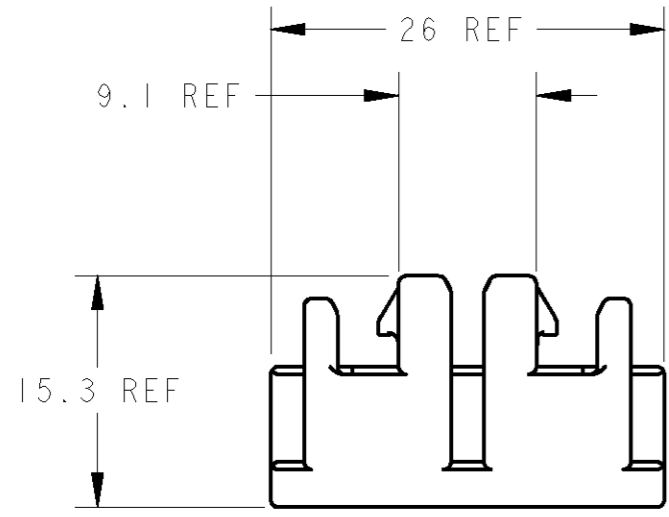
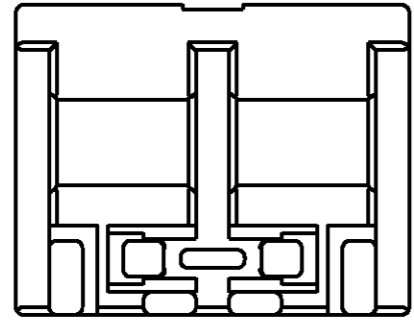


THIS DRAWING IS UNPUBLISHED. RELEASED FOR PUBLICATION 2006
 © COPYRIGHT 2006 BY TYCO ELECTRONICS CORPORATION. ALL RIGHTS RESERVED.

LOC	DIST	REVISIONS					
		P	LTR	DESCRIPTION	DATE	DWN	APVD
J	-		A	RELEASED	05SEP06	SS	SI
			B	REVISED	26MAY10	TS	KB
				ECR-10-007504			



LOGO MARK

- MATING CONNECTOR IS:
TYCO P/N: 1612275-3/1747137-3/1612275-4/1747137-4
- HANDLING OF THIS PART SHOULD FOLLOW INSTRUCTION SHEET NO. 411-78084.
- ASSEMBLED BY CUSTOMER.

- 嵌合相手品番
TYCO P/N: 1612275-3/1747137-3/1612275-4/1747137-4
- 本部品取扱は取扱説明書NO. 411-78084に従うこと
- クリップは顧客にて組立てられる。

PAPER BOX ダンボール箱	PLASTIC BAG ビニール袋	BLACK	1939393-1
OUTER 外装	INNER 内装	COLOR	P/N
PACKING STYLE 梱包形態			

THIS DRAWING IS A CONTROLLED DOCUMENT FOR TYCO ELECTRONICS CORPORATION IT IS SUBJECT TO CHANGE AND THE CONTROLLING ENGINEERING ORGANIZATION SHOULD BE CONTACTED FOR THE LATEST REVISION.		DWN	05SEP06	Tyco Electronics Corporation Kawasaki, Japan	
DIMENSIONS: 単位: ㎜ mm		CHK	05SEP06	NAME	
TOLERANCES UNLESS OTHERWISE SPECIFIED: 一般公差 ±0.5 0-PLC ± 1-PLC ±0.5 2-PLC ±0.50 3-PLC ±0.500 4-PLC ±0.5000 ANGLES ±3'00"		APVD	05SEP06	0.64/2.311 SEALED CLIP	
MATERIAL 材料 PBT		PRODUCT SPEC 108-5891		SIZE	RESTRICTED TO
FINISH 仕上 SEE TABLE		APPLICATION SPEC 取付適用規格		CAGE CODE	REV
		WEIGHT		DRAWING NO	
		3.6 g		1939393	
		CUSTOMER DRAWING		SCALE	SHEET
				2.1	1 OF 1