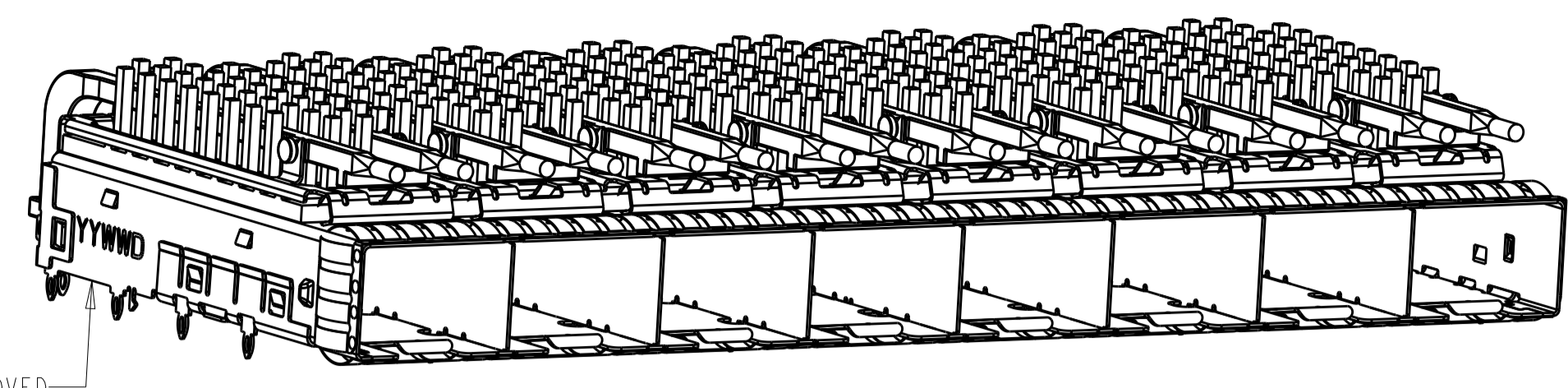
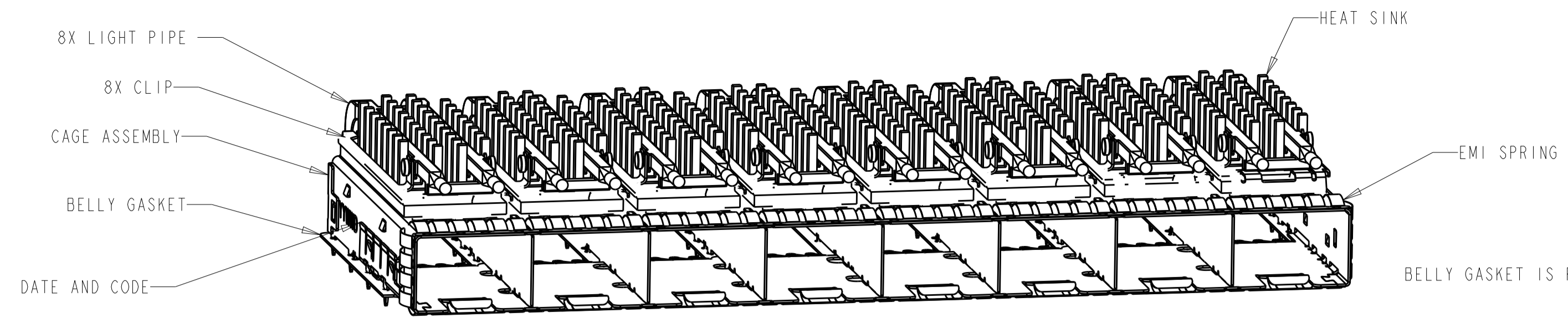


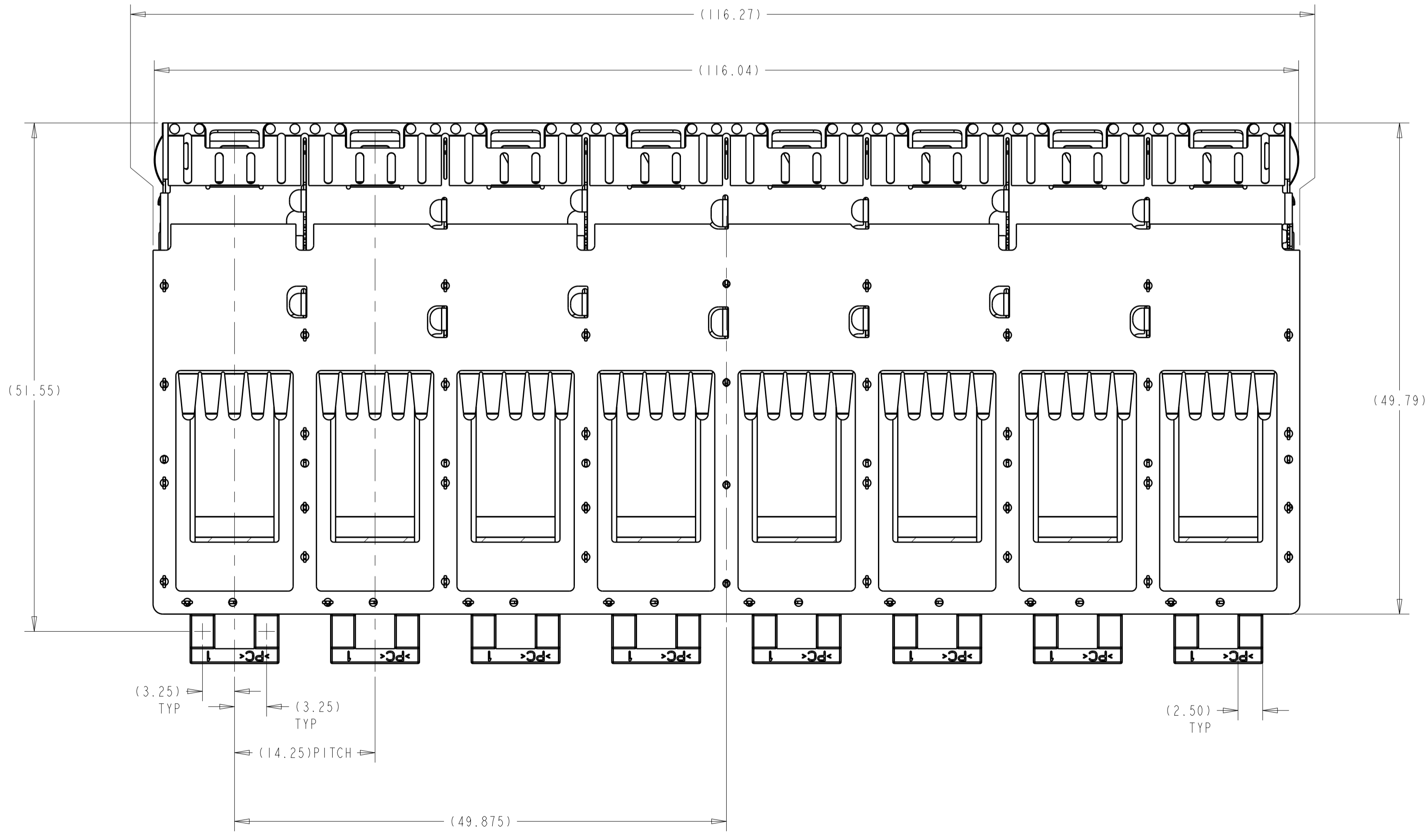
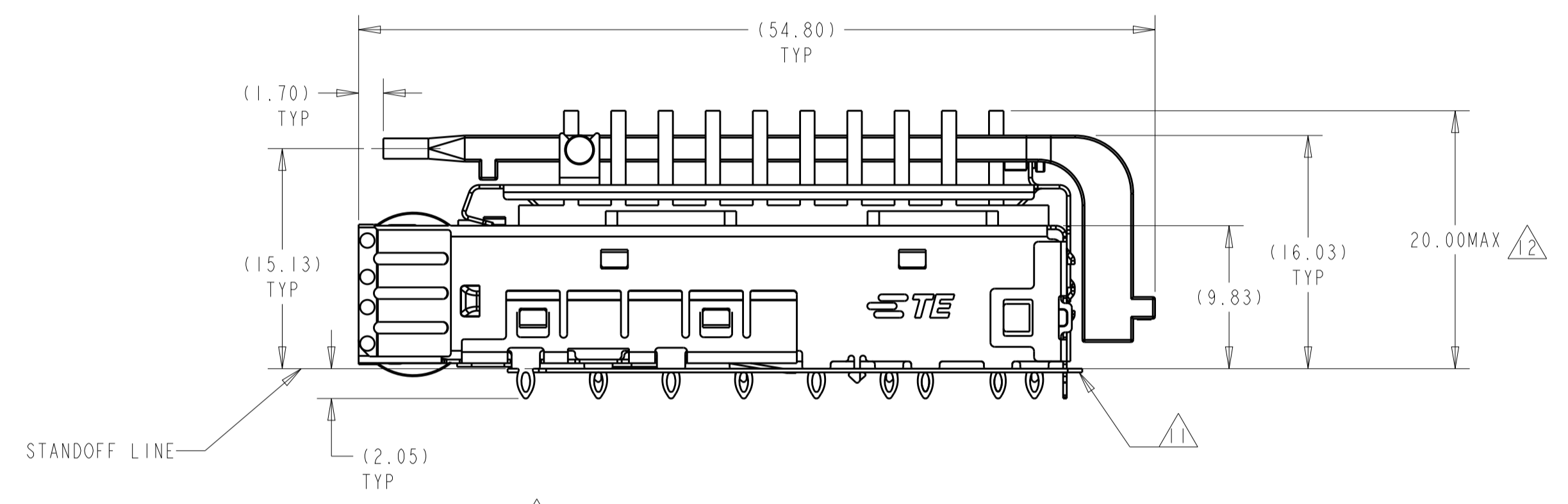
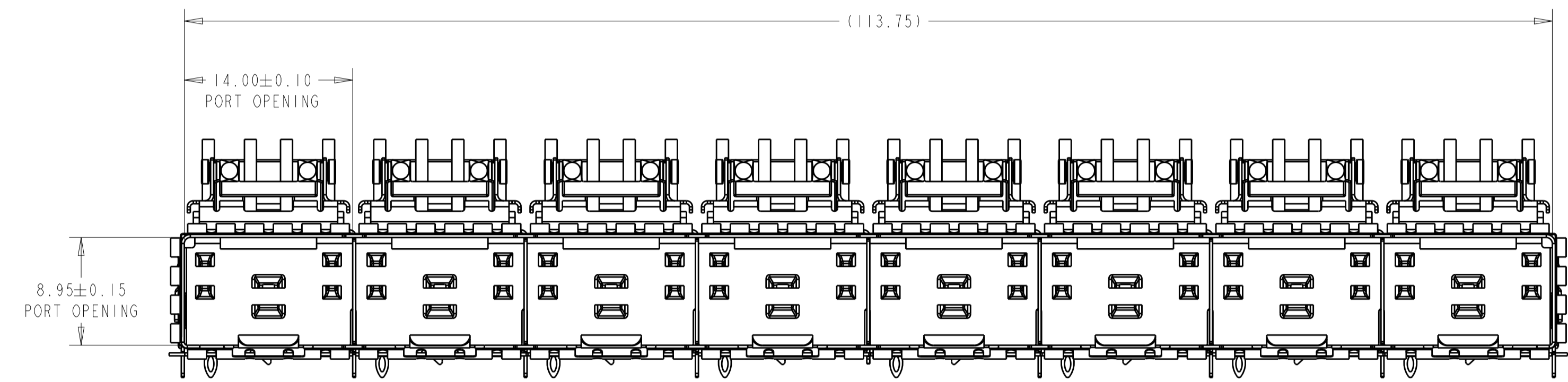
LOC	DIST	REVISIONS			
P	LTN	DESCRIPTION	DATE	OWN	APPD
A		RELEASE TO PRODUCTION	21APR2016	KO	SH
B		REVISED PER ECO-16-014593	14FEB2017	JW	SH



SCALE 2:1

1-2294408-1, DIMENSIONS SAME AS 2294408-1
SCALE 2:1

2294408-1
SCALE 3:1



- 1 MATERIAL:
CAGE ASSEMBLY: NICKEL SILVER ALLOY, (0.25mm)
PCB GASKET: RF ABSORBER
EMI SPRINGS: PHOSPHOR BRONZE
LIGHT PIPE&HEATSINK CLIP: STAINLESS STEEL
LIGHT PIPE: POLYCARBONATE, CLEAR
HEATSINK: ALUMINUM
- 2 MINIMUM PC BOARD THICKNESS:
SINGLE SIDE = 1.45mm
BELLY TO BELLY = 2.25mm
- 3 PADS AND VIAS CHASSIS GROUND
- 4 DATUM AND BASIC DIMENSION ESTABLISHED BY CUSTOMER
- 5. MATES WITH SFP MSA COMPLIANT TRANSCEIVERS
- 6. INTERPRETATION OF DATUM REFERENCE FRAME IN ACCORDANCE WITH SECT 4.4.1.1 OF ASME Y14.5M-1994
- 7 REFERENCE APPLICATION SPEC. 114-13120, HOLE A, FOR RECOMMENDED DRILL HOLE DIAMETER AND PLATING THICKNESS
- 8 REFERENCE APPLICATION SPEC. 114-13120, HOLE B, FOR RECOMMENDED DRILL HOLE DIAMETER AND PLATING THICKNESS
- 9 HOLE PATTERN REPEATS FOR EACH PORT, SPACING BETWEEN PORTS IS 14.25mm
- 10. PRODUCT COMPLIES WITH SPECIFICATION SFF-8433, IMPROVED PLUGGABLE FORM FACTOR FOR SFP+ GANGED CAGES
- 11 CONTACT STANDOFF WILL PIERCE GASKET WHEN PROPERLY PRESSED INTO PCB.
- 12 DIMENSION APPLIES WITH MODULE INSERTED IN CAGE.
- 13 BELLY GASKET IS REMOVED

15.0 MAX HEIGHT, PIN TYPE	NA	1-2294408-2
20.0 MAX HEIGHT, PIN TYPE	DUAL, STANDARD HEIGHT&LENGTH	1-2294408-1
17.0 MAX HEIGHT, PIN TYPE	DUAL, STANDARD HEIGHT&LENGTH	2294408-5
17.0 MAX HEIGHT, PIN TYPE	DUAL, STANDARD HEIGHT&LENGTH	2294408-4
20.0 MAX HEIGHT, PIN TYPE	DUAL, STANDARD HEIGHT&LENGTH, COATED	2294408-3
15.0 MAX HEIGHT, PIN TYPE	NA	2294408-2
20.0 MAX HEIGHT, PIN TYPE	DUAL, STANDARD HEIGHT&LENGTH	2294408-1
HEATSINK DESC	LIGHT PIPE DESC	PART NUMBER

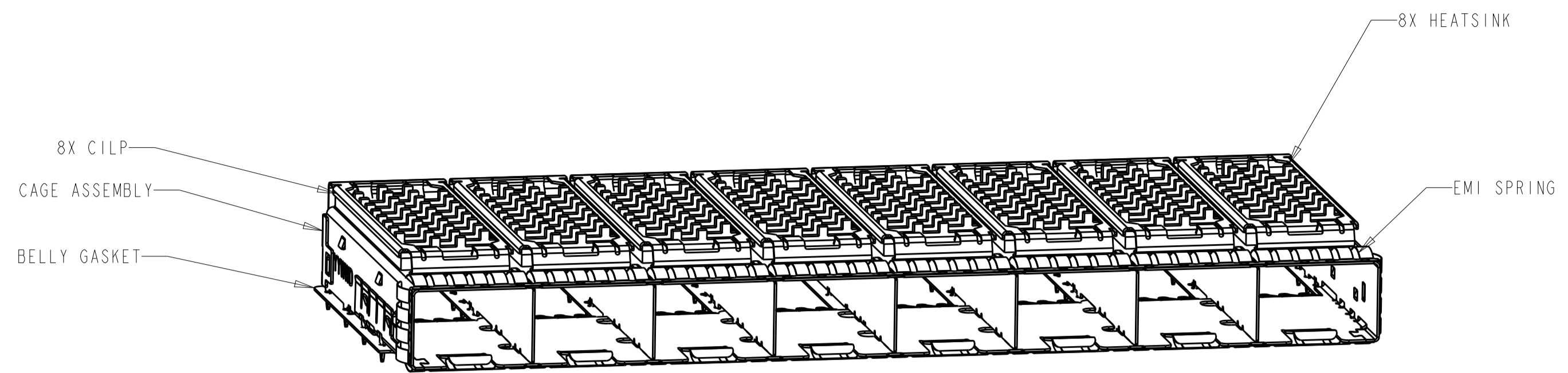
THIS DRAWING IS A CONTROLLED DOCUMENT. DIMENSIONING AND TOLERANCING PER ASME Y14.5M-2009. TOLERANCES UNLESS OTHERWISE SPECIFIED:

mm	PLC	TOLERANCE
0	PLC	±0.1
1	PLC	±0.1
2	PLC	±0.08
3	PLC	±0.05
4	PLC	±0.05
ANGLES		±0.5°
FINISH		±0.001"

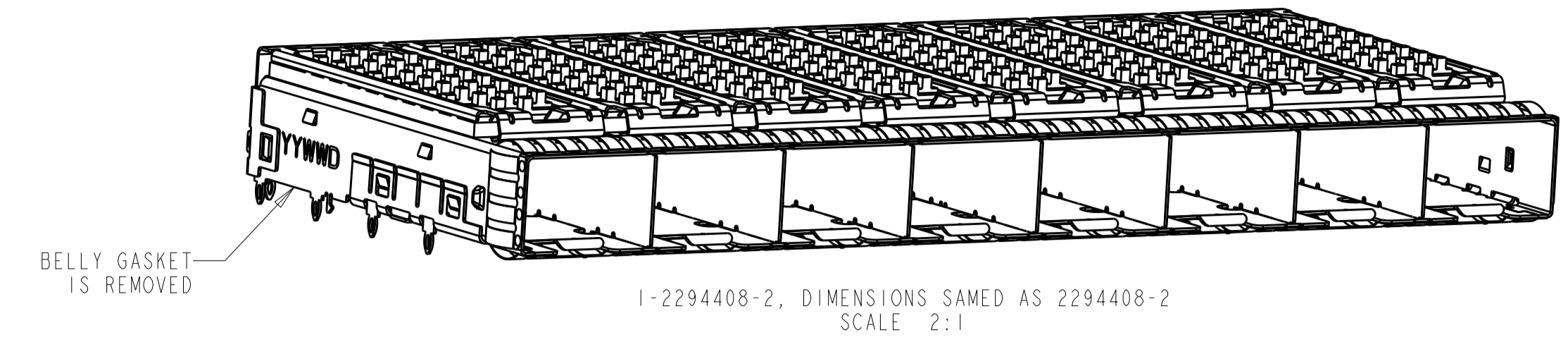
MATERIAL: SEE NOTES. FINISH: SEE NOTES.

OWN: REVIN	24JUL2015	 TE Connectivity
CHK: SEAN HAN	24JUL2015	
APPD: SEAN HAN	24JUL2015	
NAME: CAGE ASSEMBLY, PRESS-FIT, EMI SPRINGS, 1X8, zSFP+		
SIZE: A1	CAGE CODE: 00779	DRAWING NO: 2294408
CUSTOMER DRAWING	SCALE: 3:1	SHEET 1 OF 6

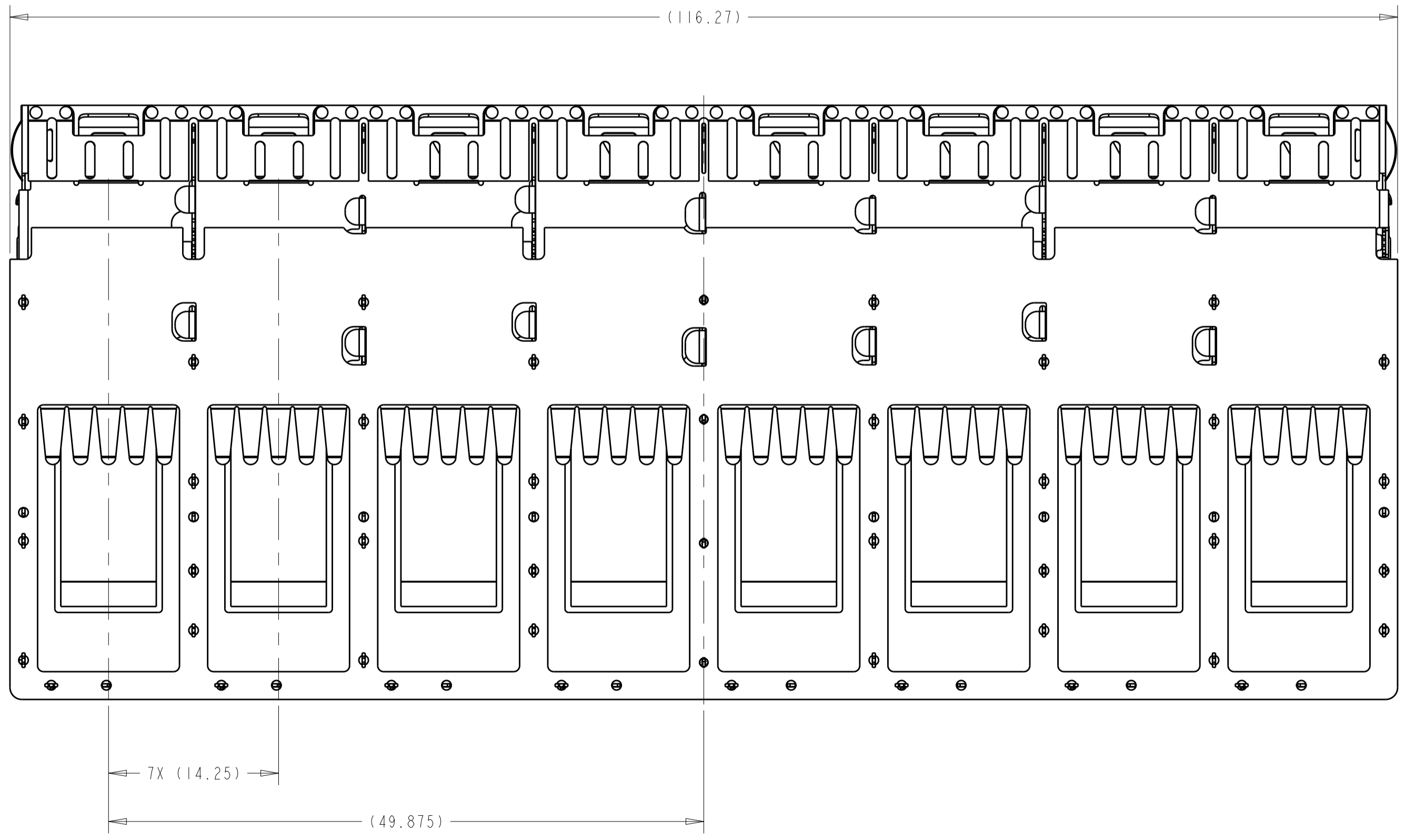
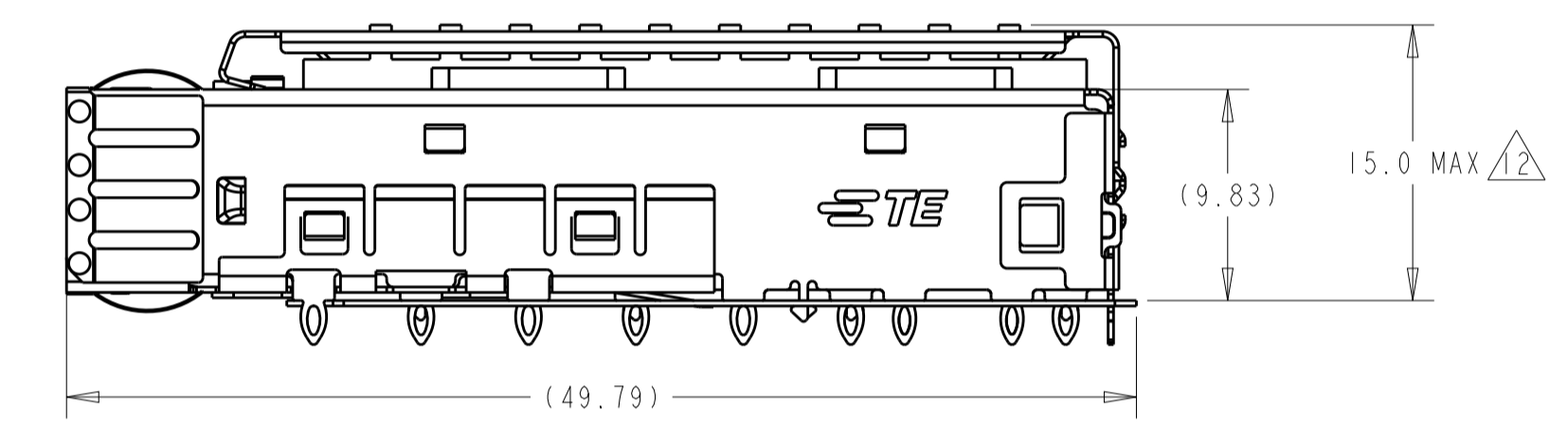
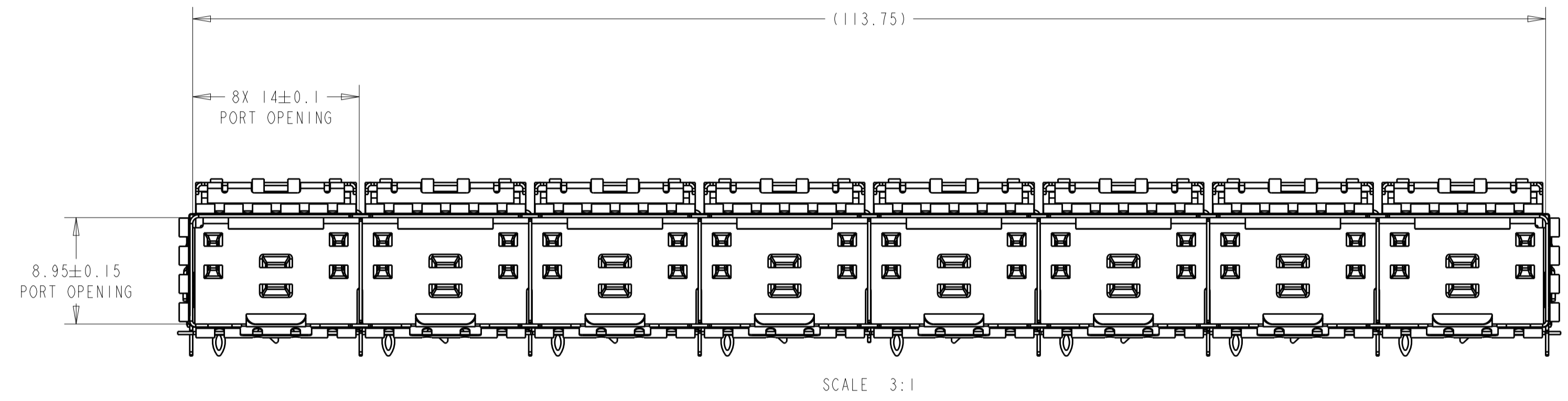
LOC	DIST	REVISIONS			
P	LYN	DESCRIPTION	DATE	OWN	APVD
-	-	SEE SHEET 1	-	-	-



2294408-2
 SCALE 2:1

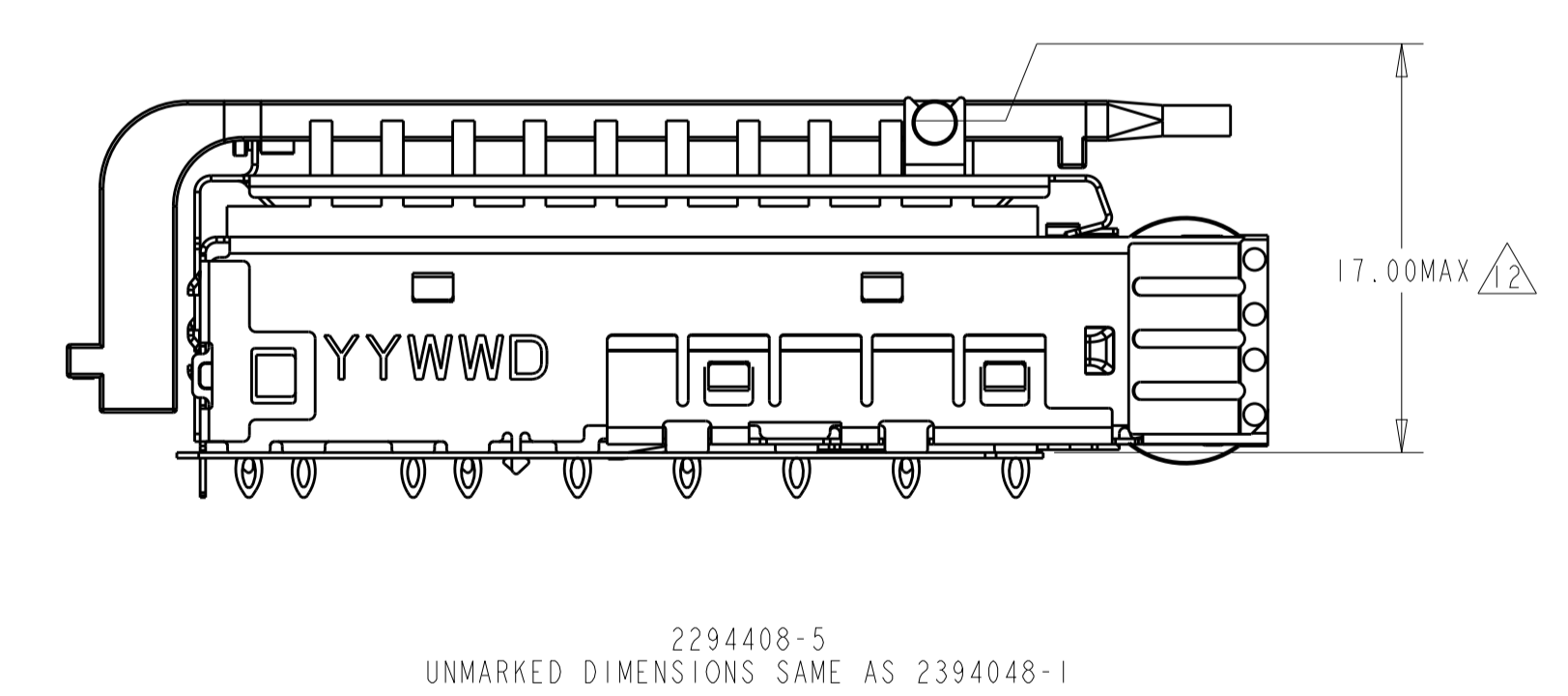
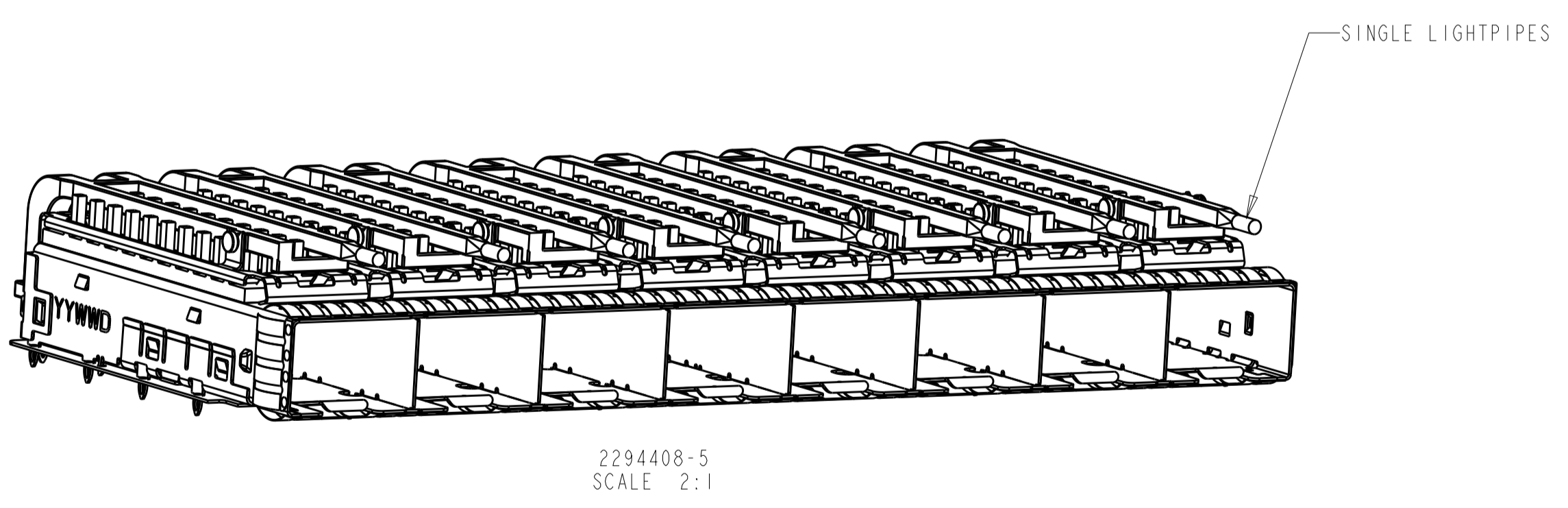
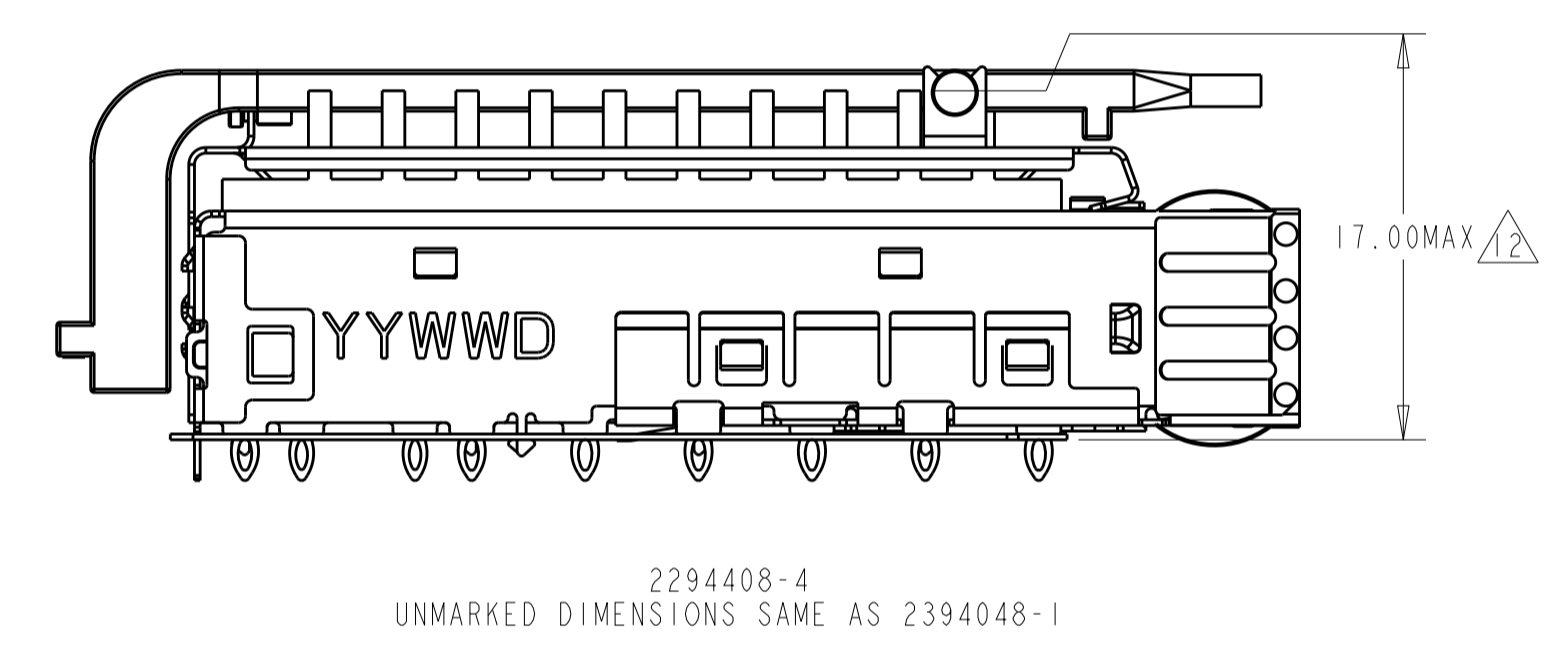
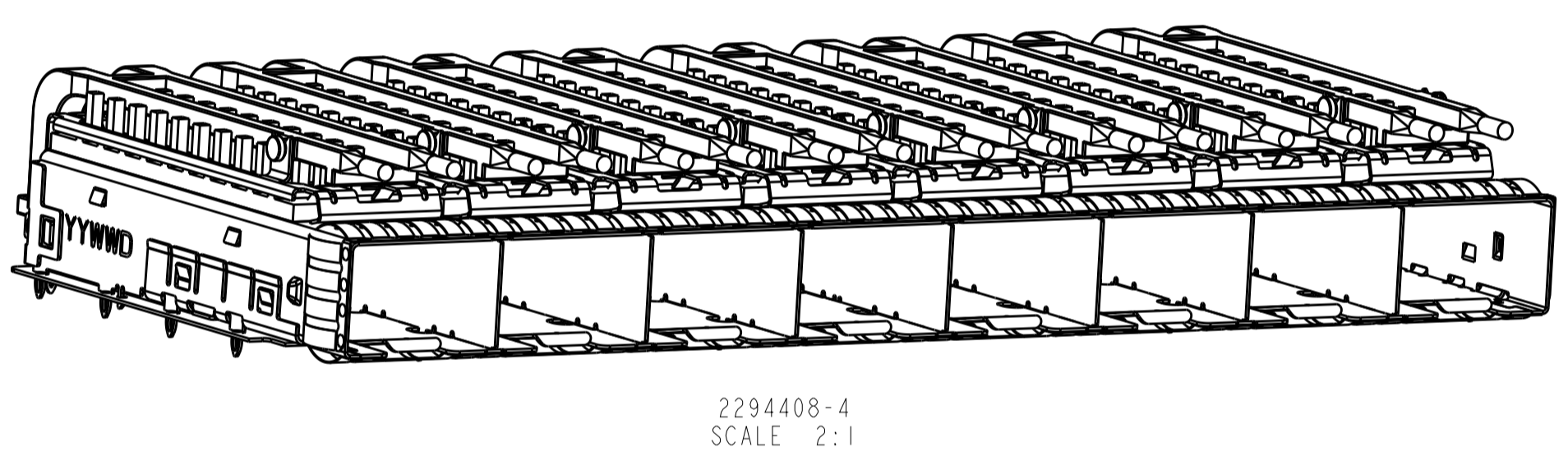
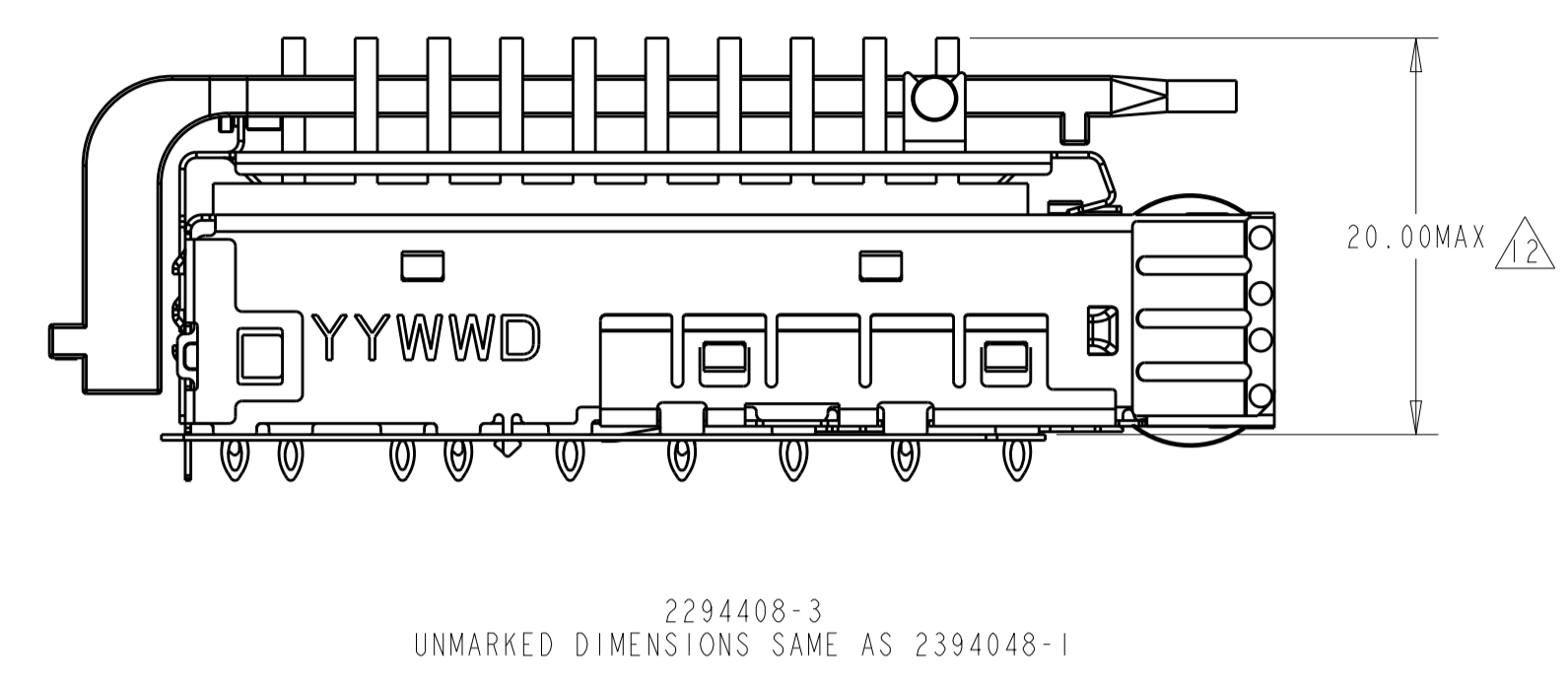
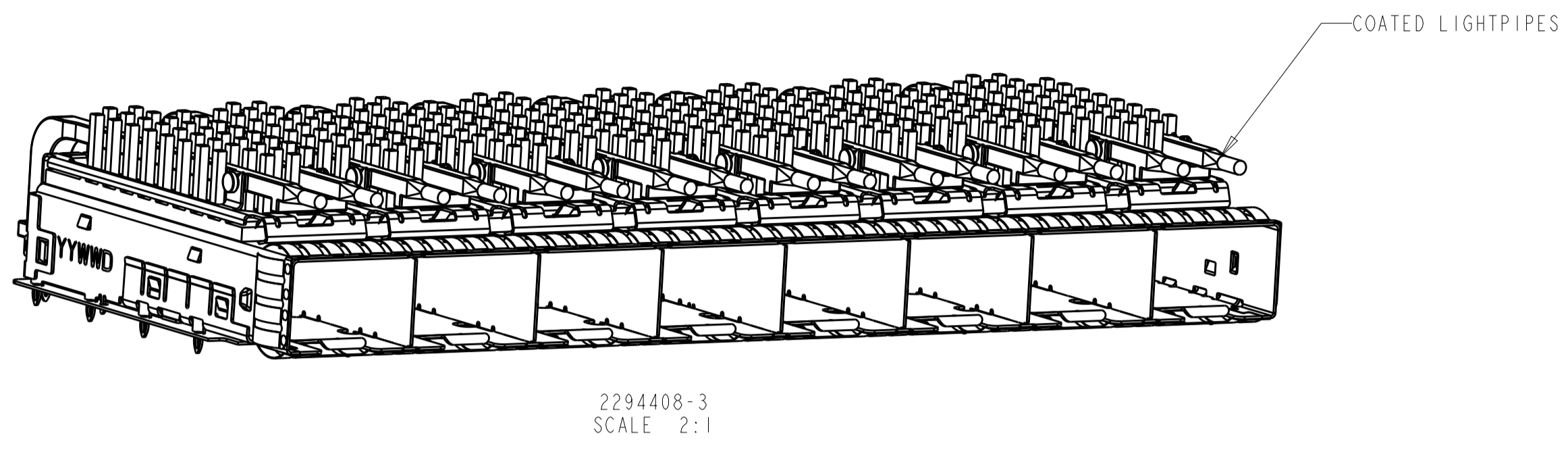


1-2294408-2, DIMENSIONS SAME AS 2294408-2
 SCALE 2:1



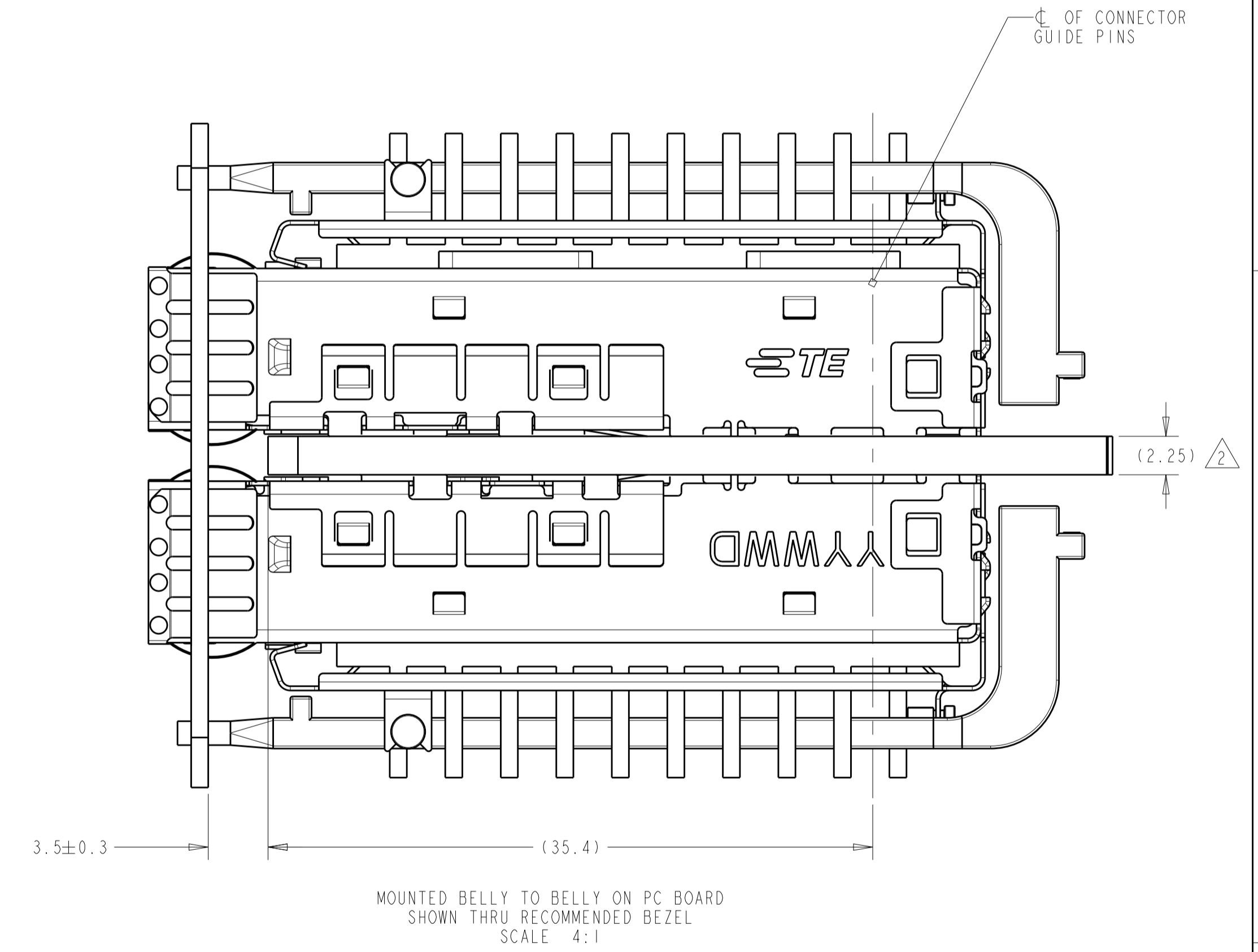
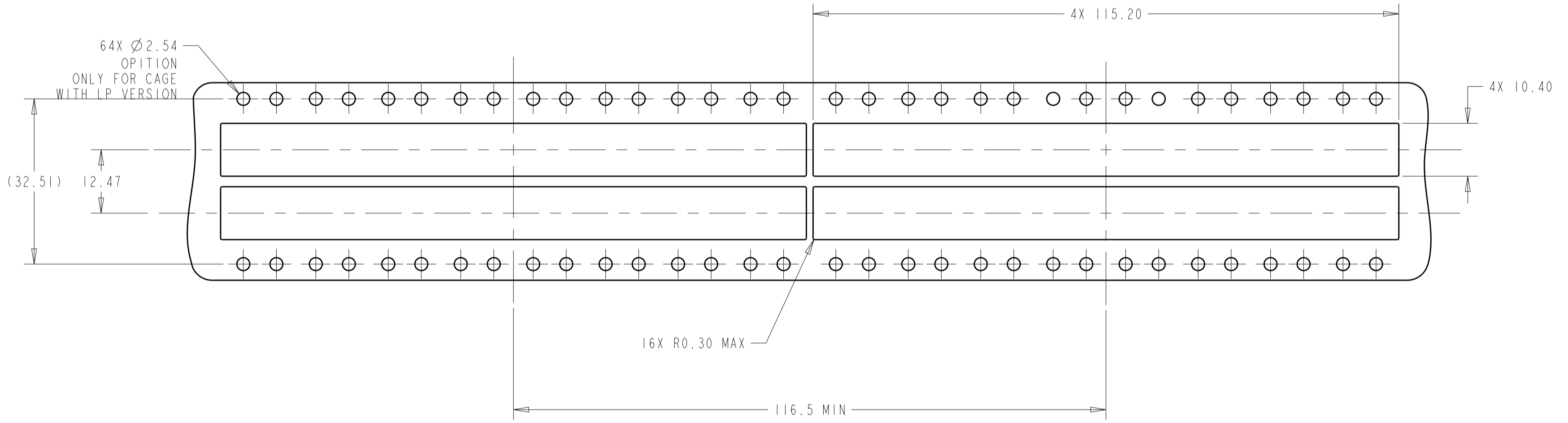
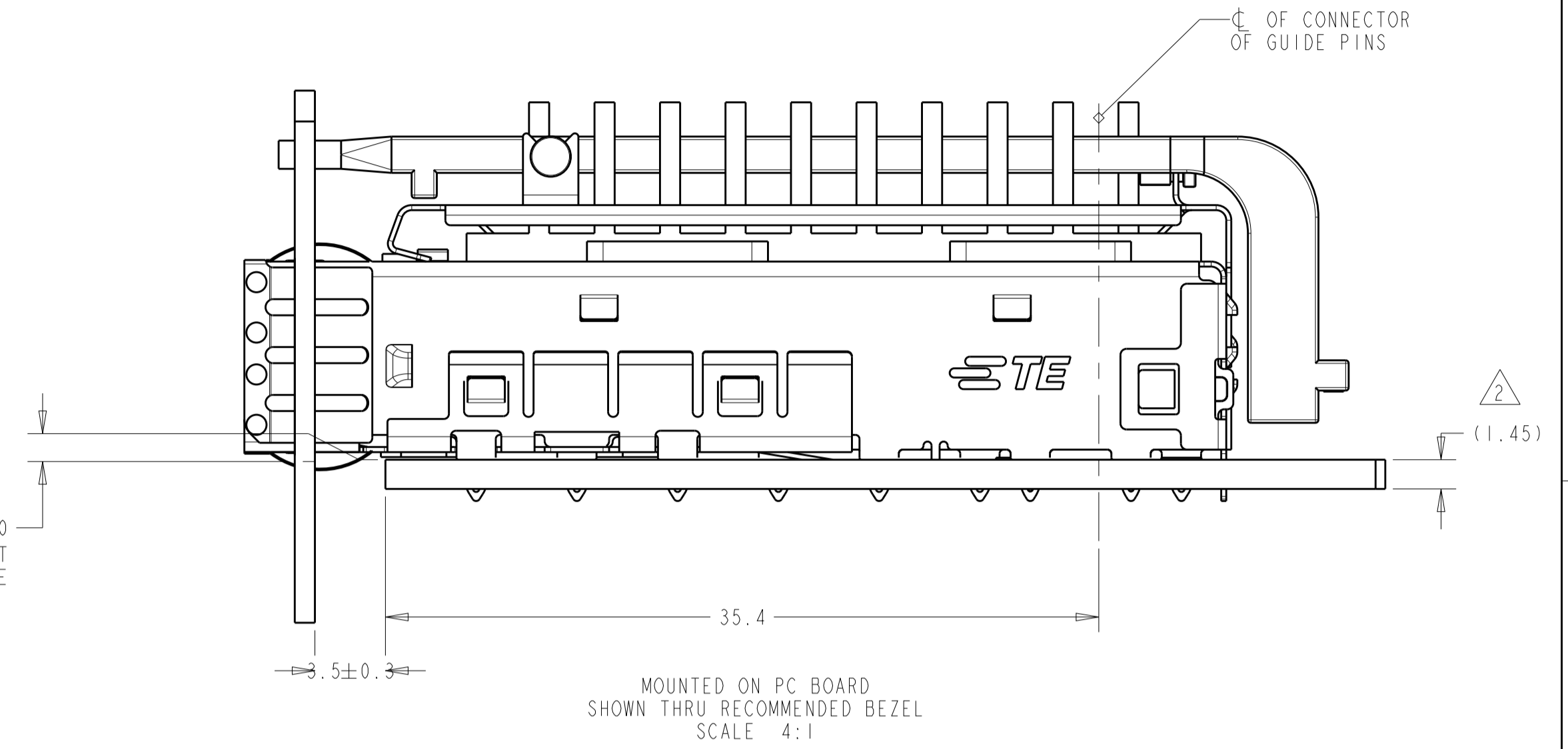
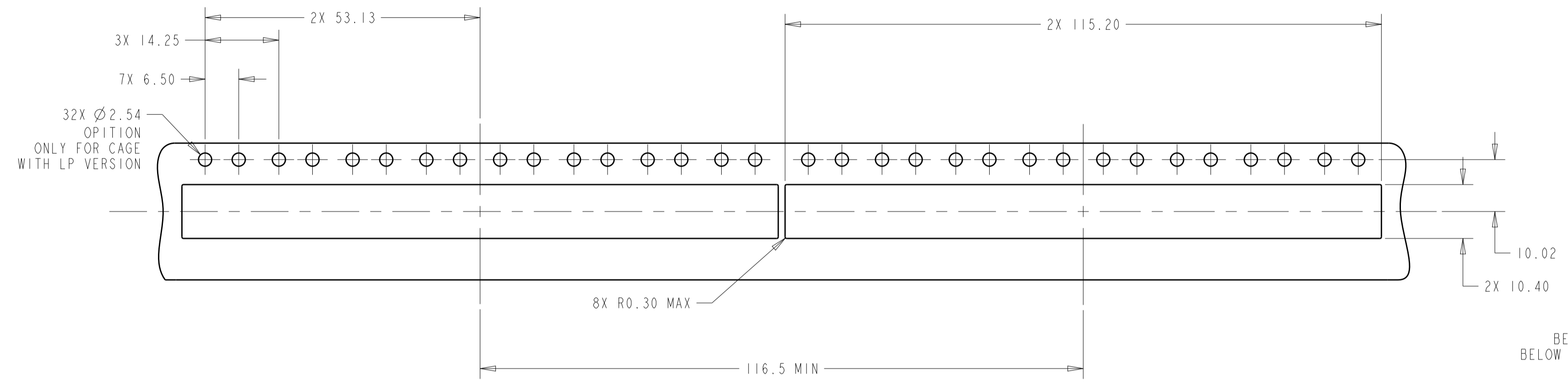
THIS DRAWING IS A CONTROLLED DOCUMENT. DIMENSIONING AND TOLERANCING PER ASME Y14.5M-2009		OWN: REVIN 24JUL2015 CHK: SEAN HAN 24JUL2015 APVD: SEAN HAN 24JUL2015	TE Connectivity NAME: CAGE ASSEMBLY, PRESS-FIT, EMI SPRINGS, 1X8, zSFP+
DIMENSIONS: mm 	TOLERANCES UNLESS OTHERWISE SPECIFIED: 0 PLC ±0.1 1 PLC ±0.1 2 PLC ±0.08 3 PLC ±0.05 4 PLC ± ANGLES ±°	PRODUCT SPEC APPLICATION SPEC WEIGHT CUSTOMER DRAWING	
MATERIAL: SEE NOTES	FINISH: SEE NOTES	SIZE: A1 CAGE CODE: 00779 DRAWING NO: ©=2294408	RESTRICTED TO: - SCALE: 3:1 SHEET 2 OF 6 REV B

LOC	DIST	REVISIONS					
GP	00	P.	LYR	DESCRIPTION	DATE	DMN	APVD
		-		SEE SHEET 1			



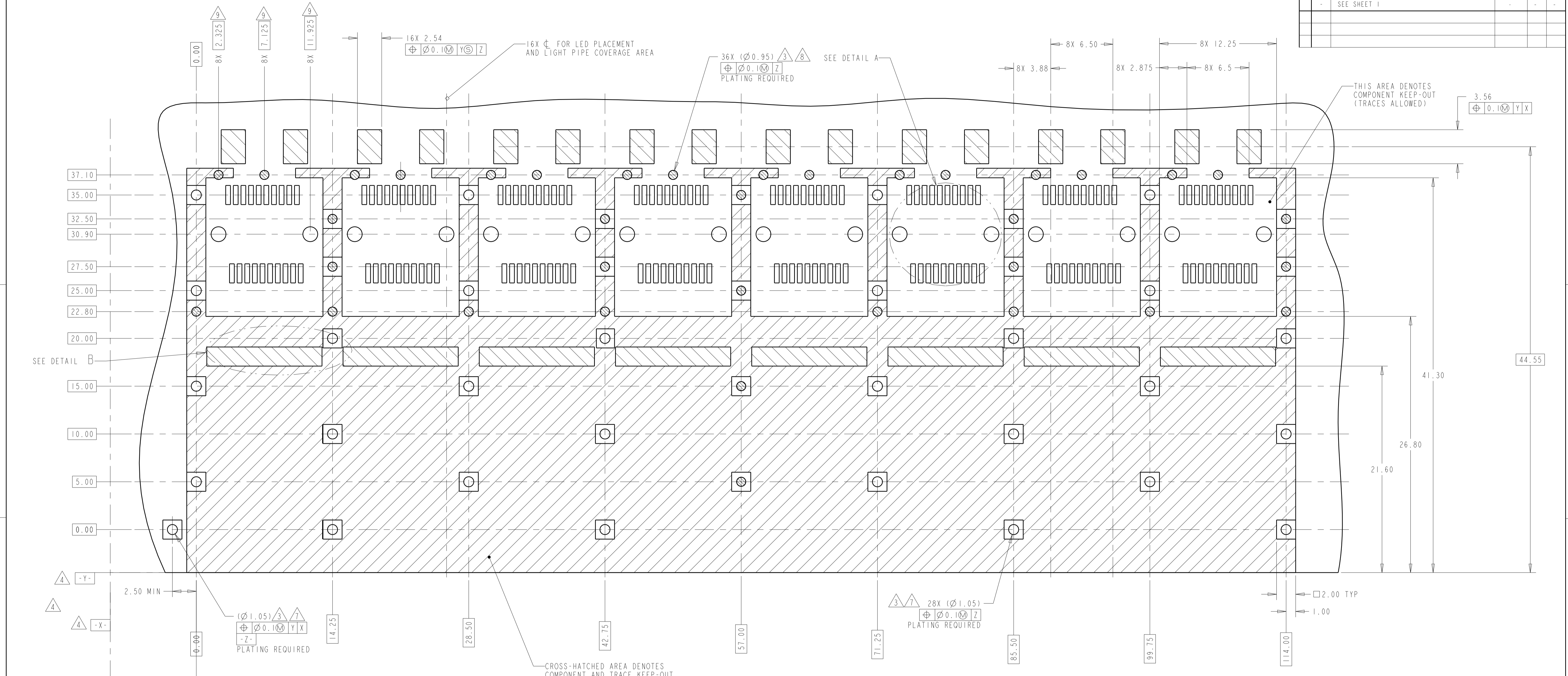
THIS DRAWING IS A CONTROLLED DOCUMENT. DIMENSIONING AND TOLERANCING PER ASME Y14.5M-2009		DMN: REVIN 24JUL2015	TE Connectivity
DIMENSIONS: mm		CHK: SEAN HAN 24JUL2015	
TOLERANCES UNLESS OTHERWISE SPECIFIED: 0 PLC ±0.1 1 PLC ±0.1 2 PLC ±0.08 3 PLC ±0.05 4 PLC ± ANGLES ±°		APVD: SEAN HAN 24JUL2015	NAME: CAGE ASSEMBLY, PRESS-FIT, EMI SPRINGS, 1X8, zSFP+
MATERIAL: SEE NOTES		FINISH: SEE NOTES	RESTRICTED TO: A1 00779 ©=2294408
		WEIGHT: -	CUSTOMER DRAWING
		SCALE: 3:1	SHEET 3 OF 6 REV B

LOC		DIST		REVISIONS			
GP	00	P	LTN	DESCRIPTION	DATE	OWN	APVD
-	-	-	-	SEE SHEET 1	-	-	-

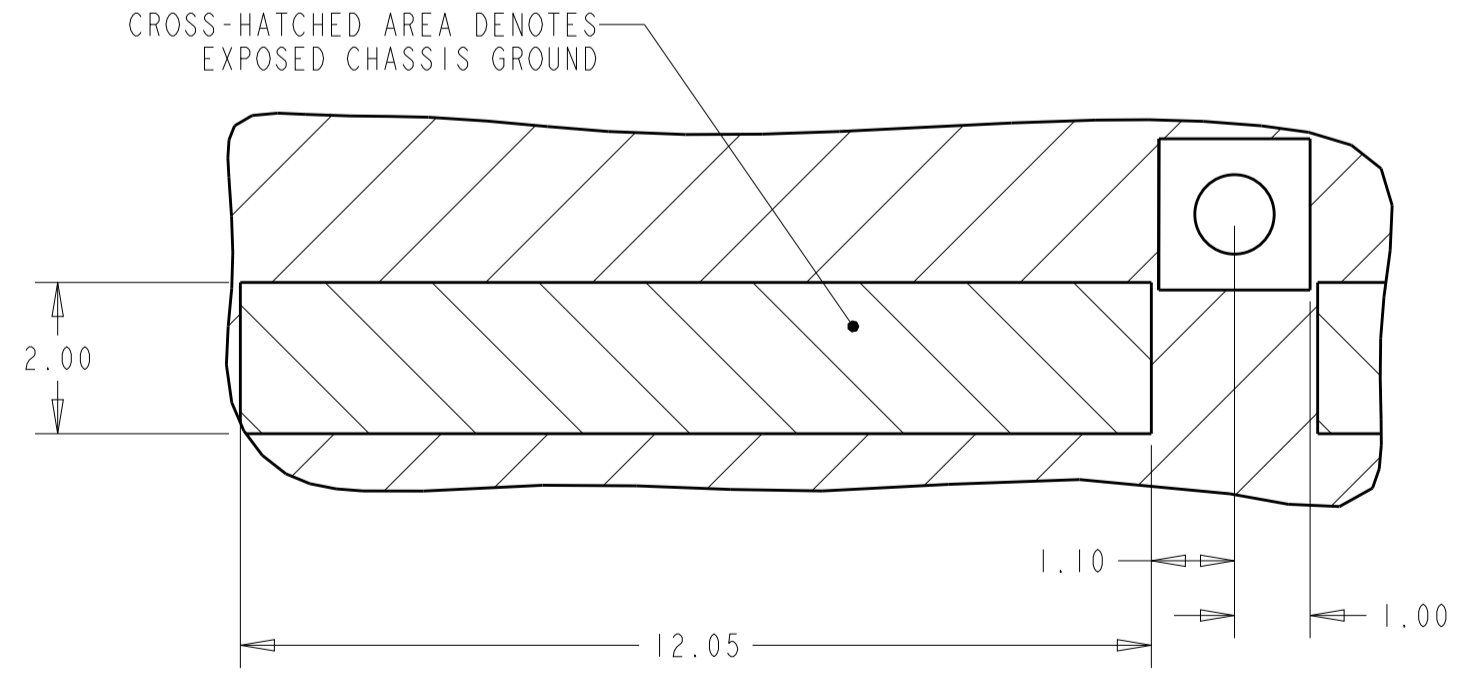


THIS DRAWING IS A CONTROLLED DOCUMENT. DIMENSIONING AND TOLERANCING PER ASME Y14.5M-2009		OWN: REVIN 24JUL2015	TE Connectivity
DIMENSIONS: mm		CHK: SEAN HAN 24JUL2015	
TOLERANCES UNLESS OTHERWISE SPECIFIED:		APVD: SEAN HAN 24JUL2015	NAME: CAGE ASSEMBLY, PRESS-FIT, EMI SPRINGS, 1X8, zSFP+
0 PLC ±0.1 1 PLC ±0.1 2 PLC ±0.08 3 PLC ±0.05 4 PLC ± ANGLES ±°		PRODUCT SPEC	
MATERIAL: SEE NOTES		APPLICATION SPEC	RESTRICTED TO
FINISH: SEE NOTES		WEIGHT	SIZE: A1
CUSTOMER DRAWING		CAGE CODE: 00779	DRAWING NO: 2294408
		SCALE: 4:1	SHEET 4 OF 6
			REV B

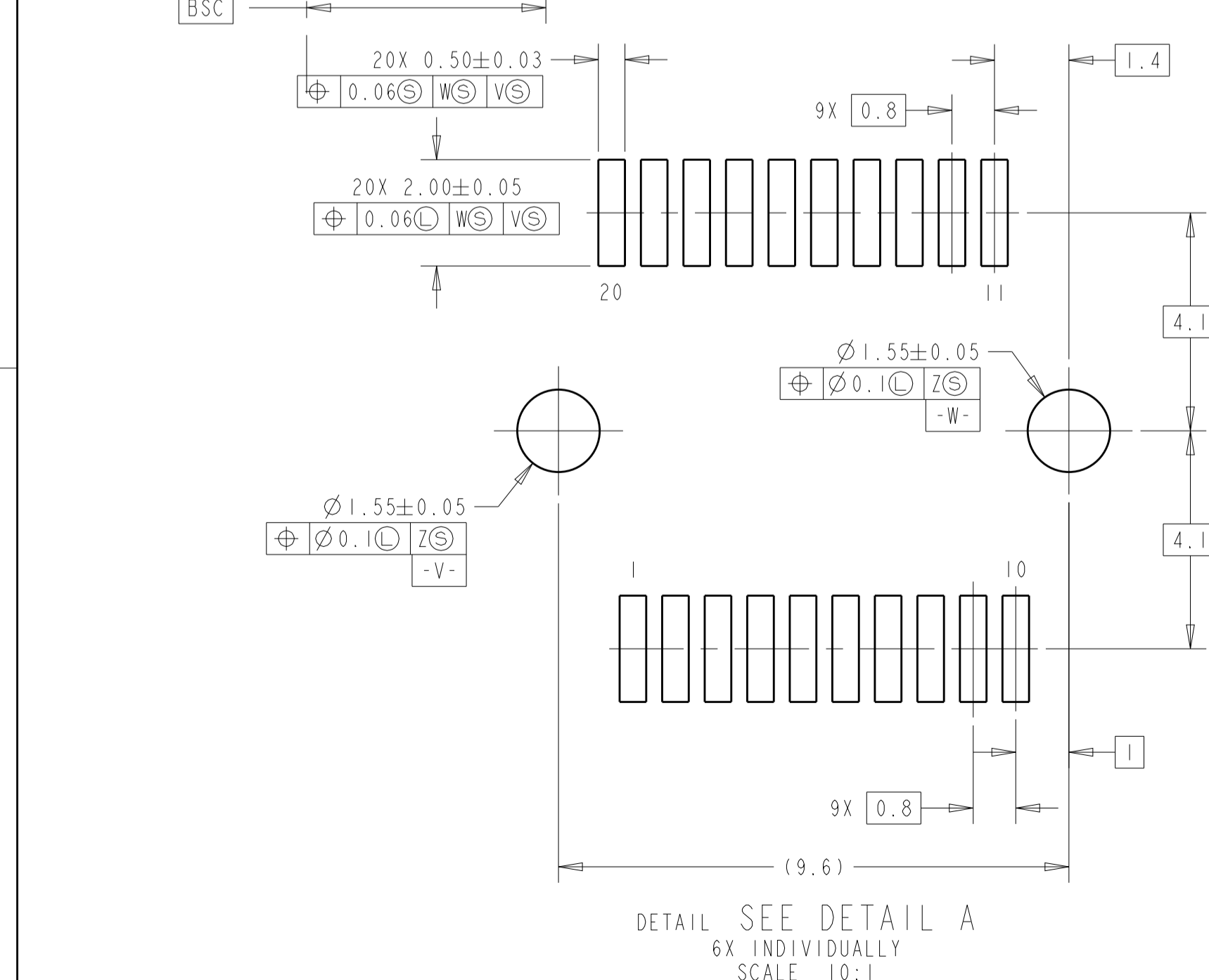
LOC	DIST	REV	DATE	APP'D	REVISIONS
GP	00				SEE SHEET 1



RECOMMENDED PCB CONFIGURATION
 WITH KEEP-OUT AREAS FOR SINGLE SIDED APPLICATION
 SCALE 5:1



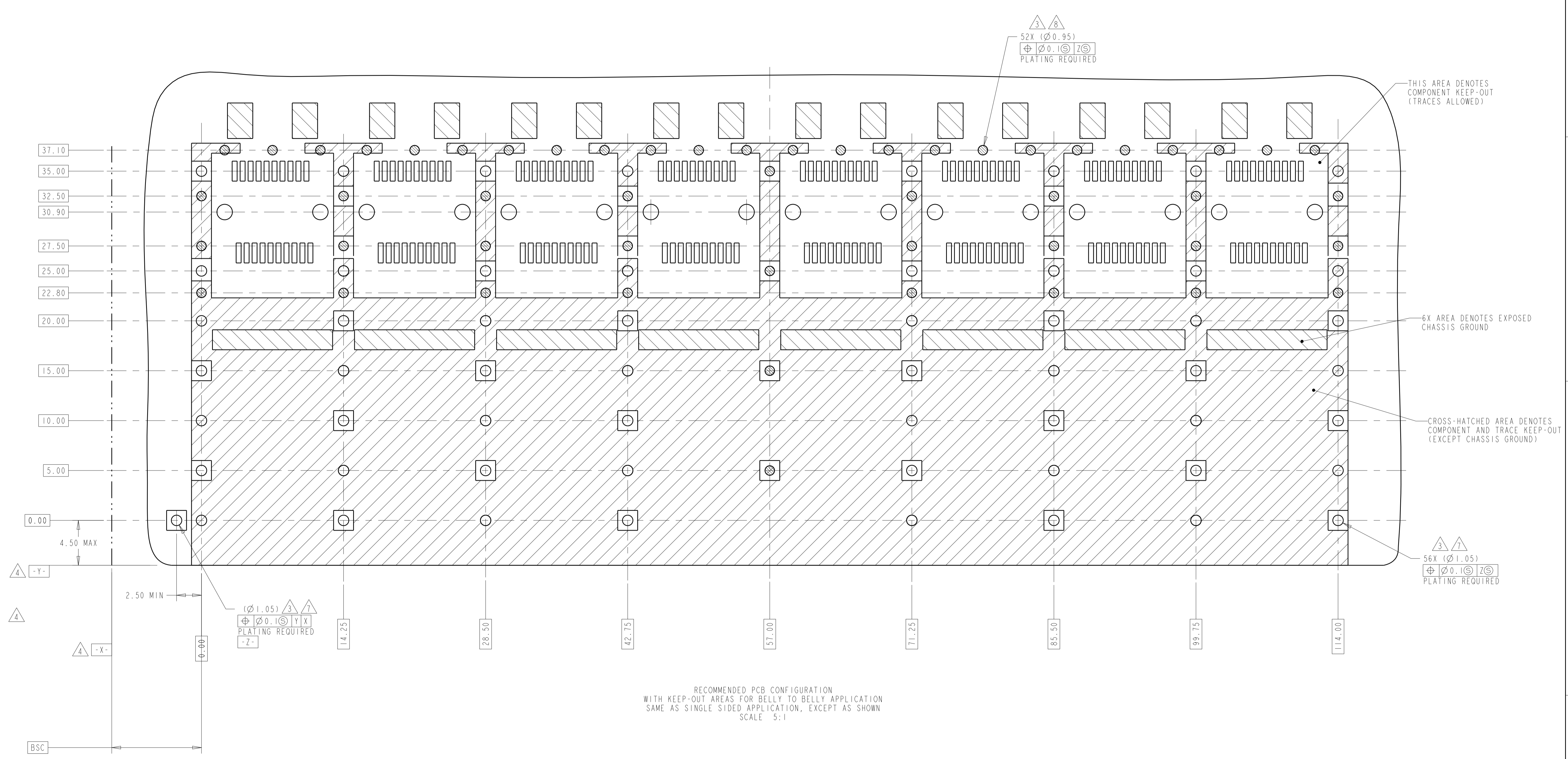
DETAIL B
 6X INDIVIDUALLY
 SCALE 10:1



DETAIL A
 6X INDIVIDUALLY
 SCALE 10:1

THIS DRAWING IS A CONTROLLED DOCUMENT. DIMENSIONING AND TOLERANCING PER ASME Y14.5M-2009. TOLERANCES UNLESS OTHERWISE SPECIFIED:		OWN: REVIN 24JUL2015	TE Connectivity
DIMENSIONS: mm		CHK: SEAN HAN 24JUL2015	
0 PLC ±0.1 1 PLC ±0.1 2 PLC ±0.08 3 PLC ±0.05 4 PLC ± ANGLES ±°		APP'D: SEAN HAN 24JUL2015	NAME: CAGE ASSEMBLY, PRESS-FIT, EMI SPRINGS, 1X8, zSFP+
MATERIAL: SEE NOTES		FINISH: SEE NOTES	SIZE: A1 CAGE CODE: 00779 DRAWING NO: 2294408
		WEIGHT: -	RESTRICTED TO: -
		CUSTOMER DRAWING	SCALE: 4:1 SHEET 5 OF 6 REV B

LOC	DIST	REVISIONS			
P	LTN	DESCRIPTION	DATE	DMN	APVD
-	-	SEE SHEET 1	-	-	-



RECOMMENDED PCB CONFIGURATION
 WITH KEEP-OUT AREAS FOR BELLY TO BELLY APPLICATION
 SAME AS SINGLE SIDED APPLICATION, EXCEPT AS SHOWN
 SCALE 5:1

THIS DRAWING IS A CONTROLLED DOCUMENT. DIMENSIONING AND TOLERANCING PER ASME Y14.5M-2009		OWN: REVIN 24JUL2015	TE Connectivity
DIMENSIONS: mm		CHK: SEAN HAN 24JUL2015	
TOLERANCES UNLESS OTHERWISE SPECIFIED: 0 PLC ±0.1 1 PLC ±0.1 2 PLC ±0.08 3 PLC ±0.05 4 PLC ± ANGLES ±1°		APVD: SEAN HAN 24JUL2015	NAME: CAGE ASSEMBLY, PRESS-FIT, EMI SPRINGS, 1X8, zSFP+
MATERIAL: SEE NOTES		FINISH: SEE NOTES	RESTRICTED TO: -
CUSTOMER DRAWING		SCALE: 4:1	SHEET 6 OF 6 REV B