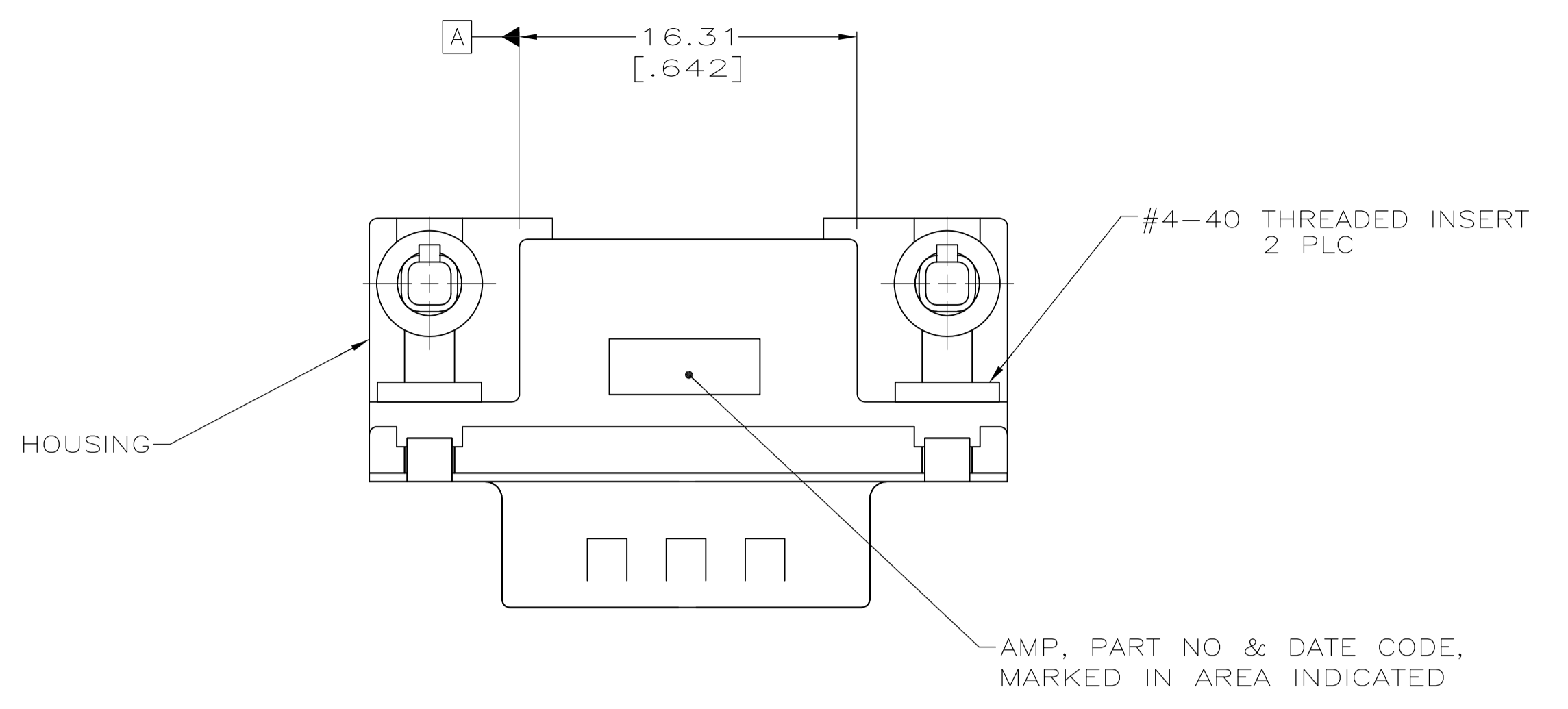


LOC		DIST		REVISIONS			
GP	00	P	LTR	DESCRIPTION	DATE	DMN	APVD
E				REVISED PER ECO-12-022391	02JAN2013	CJV	SLB



1 HOUSING: NYLON, THERMOPLASTIC, UL 94VO RATED, BLACK.
 SHELL: CARBON STEEL.
 PIN CONTACTS: BRASS
 EYELETS: BRASS.
 THREADED INSERTS: ZINC.
 BOARDLOCKS: COPPER ALLOY.

2 PIN CONTACTS: 0.76µm[.000030] MIN GOLD PLATE ON THE MATING SURFACES, 2.54µm[.000100] MIN TIN OR TIN-LEAD PLATE ON THE SOLDER END, 1.27µm[.000050] MIN NICKEL UNDERPLATE ON THE ENTIRE CONTACT
 -OR-
 GOLD FLASH OVER PALLADIUM-NICKEL PLATE, 0.76µm[.000030] MIN TOTAL ON THE MATING SURFACES, 2.54µm[.000100] MIN TIN OR TIN-LEAD PLATE ON THE SOLDER END, 1.27µm[.000050] MIN NICKEL UNDERPLATE ON THE ENTIRE CONTACT.
 EYELETS: 2.54µm[.000100] MIN TIN-LEAD OR TIN OVER COPPER FLASH.
 SHELL: 2.54µm[.000100] MIN TIN OVER 1.27µm[.000050] MIN COPPER.
 THREADED INSERTS: CLEAR CHROMATE.
 BOARDLOCKS: 3.81µm[.000150] MIN TIN OVER 1.27µm[.000050] MIN NICKEL.

3 PIN CONTACTS: GOLD FLASH ON THE MATING SURFACES, 2.54µm[.000100] MIN TIN OR TIN-LEAD PLATE ON THE SOLDER END, 1.27µm[.000050] MIN NICKEL UNDERPLATE ON THE ENTIRE CONTACT.
 EYELETS: 2.54µm[.000100] MIN TIN-LEAD OR TIN OVER COPPER FLASH.
 SHELL: 2.54µm[.000100] MIN TIN OVER 1.27µm[.000050] MIN COPPER.
 THREADED INSERTS: CLEAR CHROMATE.
 BOARDLOCKS: 3.81µm[.000150] MIN TIN-LEAD OVER 1.27µm[.000050] MIN NICKEL.

4 DATUMS AND BASIC DIMENSIONS ESTABLISHED BY CUSTOMER.

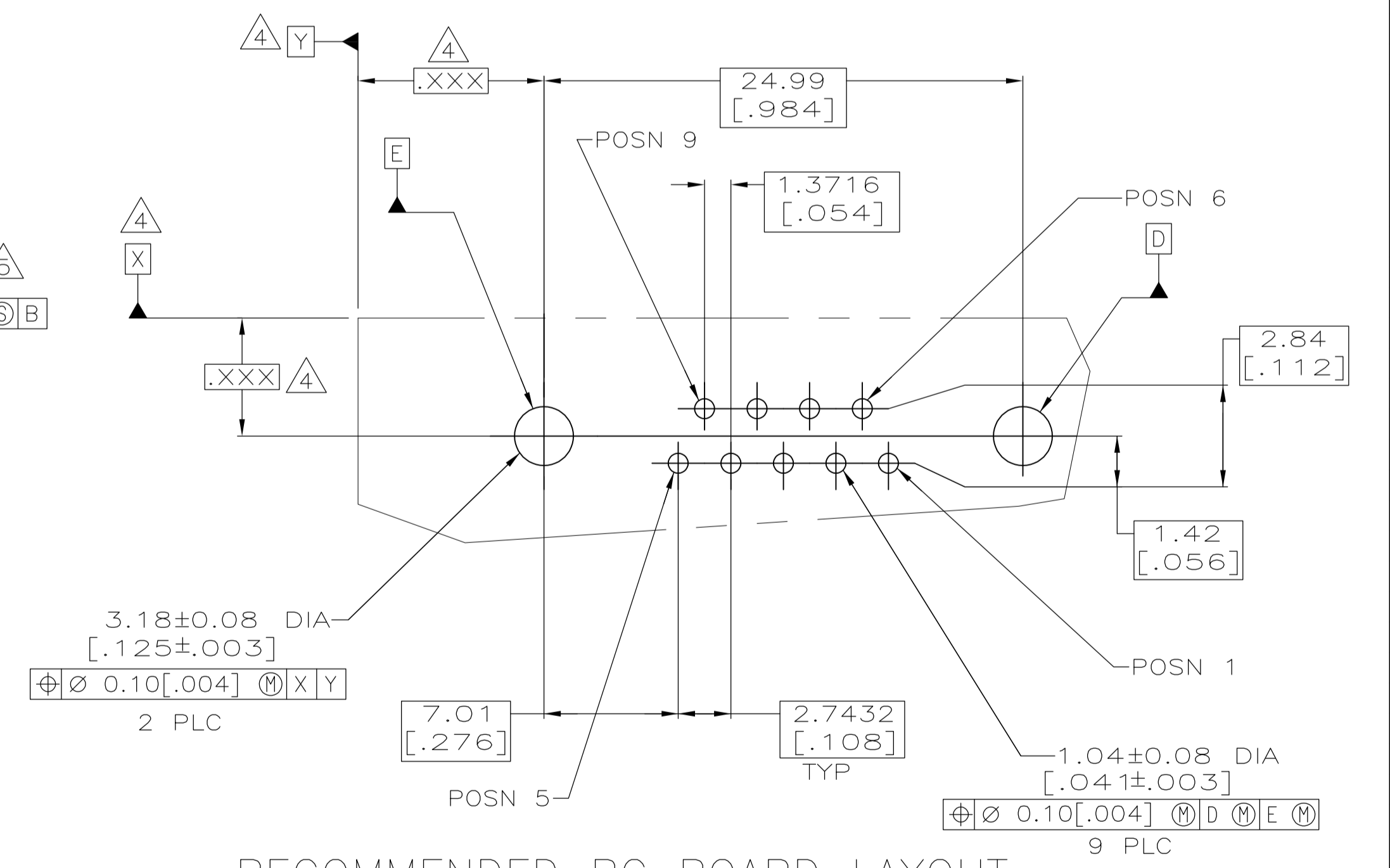
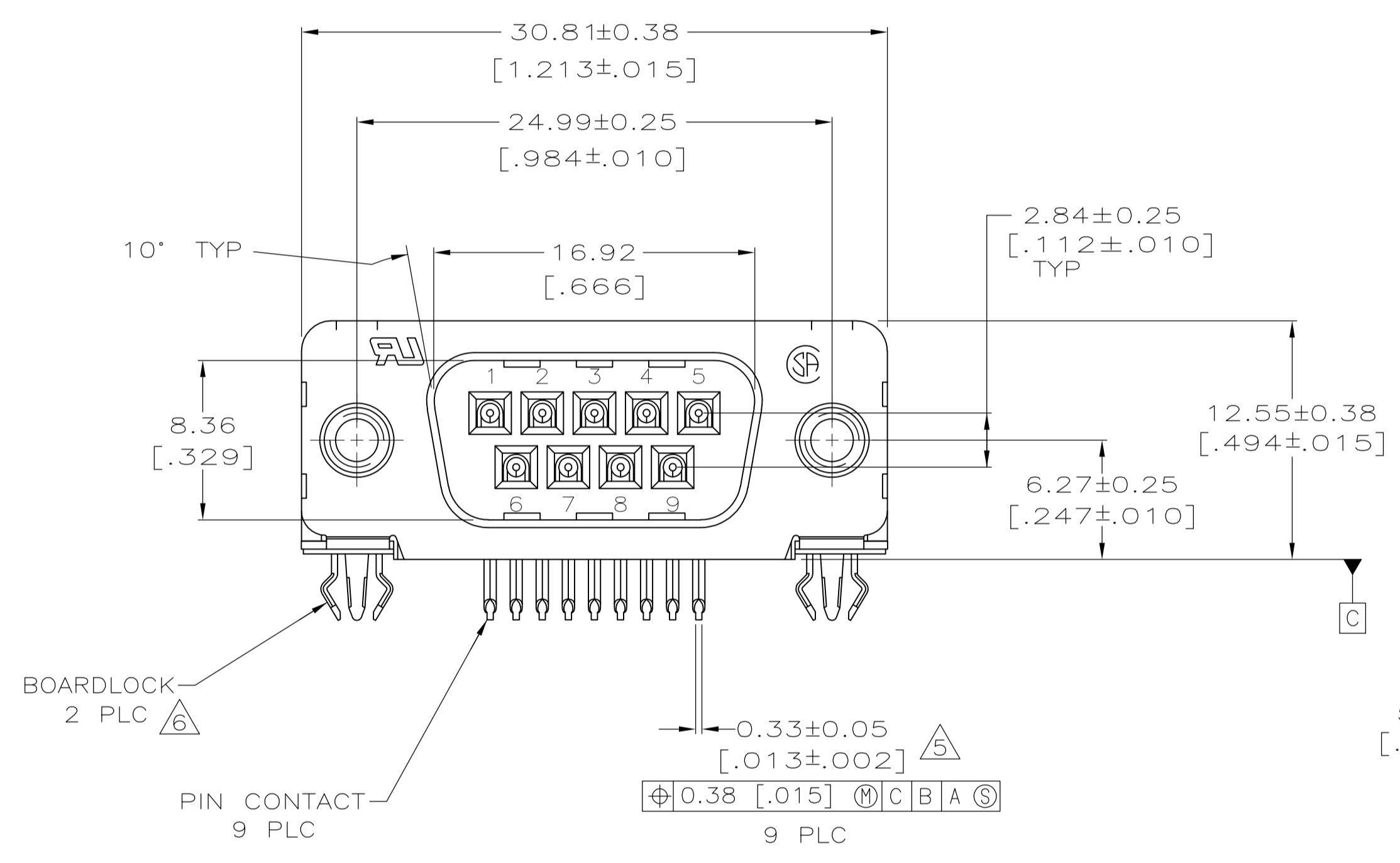
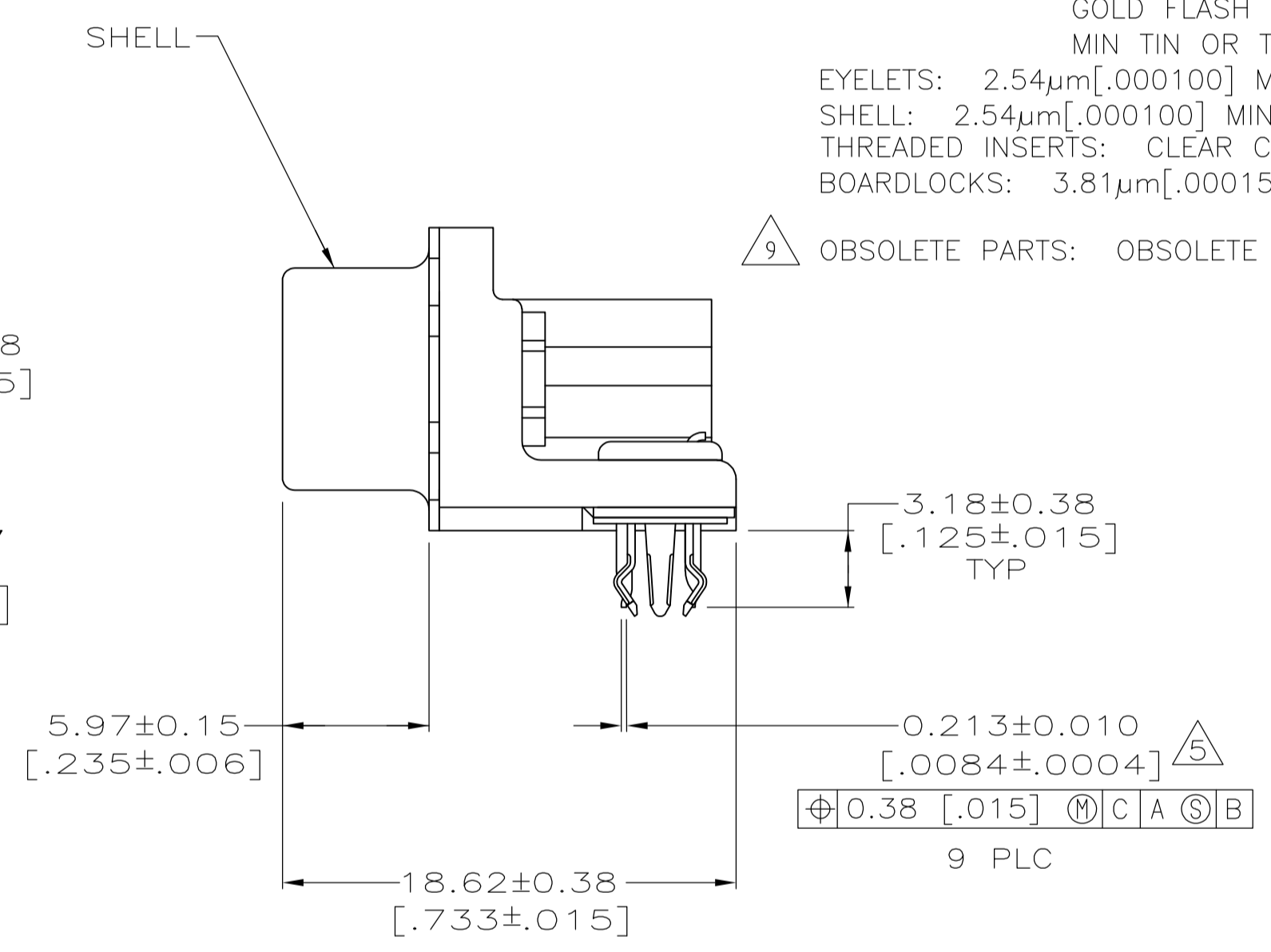
5 POSITION TOLERANCE APPLIES AT CONTACT TIP.

6 BOARDLOCKS WILL ACCEPT .062 MAX PRINTED CIRCUIT BOARD THICKNESS.

7 COMPATIBLE WITH TYPICAL HIGH TEMPERATURE SOLDERING APPLICATIONS TO A MAXIMUM OF 225°C FOR A MAXIMUM DURATION OF 90 SECONDS. TEMPERATURE TO BE MEASURED ON CONNECTOR SURFACE.

8 PIN CONTACTS: 0.76µm[.000030] MIN GOLD PLATE ON THE MATING SURFACES, 2.54µm[.000100] MIN TIN OR TIN-LEAD PLATE ON THE SOLDER END, 1.27µm[.000050] MIN NICKEL UNDERPLATE ON THE ENTIRE CONTACT
 -OR-
 GOLD FLASH OVER PALLADIUM-NICKEL PLATE, 0.76µm[.000030] MIN TOTAL ON THE MATING SURFACES, 2.54µm[.000100] MIN TIN OR TIN-LEAD PLATE ON THE SOLDER END, 1.27µm[.000050] MIN NICKEL UNDERPLATE ON THE ENTIRE CONTACT.
 EYELETS: 2.54µm[.000100] MIN TIN-LEAD OR TIN OVER COPPER FLASH.
 SHELL: 2.54µm[.000100] MIN TIN OVER 1.27µm[.000050] MIN COPPER.
 THREADED INSERTS: CLEAR CHROMATE.
 BOARDLOCKS: 3.81µm[.000150] MIN TIN OVER 1.27µm[.000050] MIN NICKEL.

9 OBSOLETE PARTS: OBSOLETE CIS STREAMLINING PER D.RENAUD/D.SINISI.



9 OBSOLETE	8	6-788792-7
SUP BY 5788792-2	3	788792-2
	2	788792-1
FINISH		PART NUMBER

THIS DRAWING IS A CONTROLLED DOCUMENT. DIMENSIONING AND TOLERANCING PER ASME Y14.5M-2009		DIN D.BROCKWAY 23 FEB 00		STE TE Connectivity	
DIMENSIONS: mm [INCHES]		TOLERANCES UNLESS OTHERWISE SPECIFIED:		NAME	
Ø		±		J.KOPPENHEFFER	
H		±		J.KOPPENHEFFER	
L		± 0.13 [.005]		PRODUCT SPEC	
R		±		108-40025	
S		±		APPLICATION SPEC	
T		±		114-40010	
A		±		SIZE	
B		±		CAGE CODE	
C		±		DRAWING NO	
D		±		RESTRICTED TO	
E		±		A1 00779 C=788792	
F		±		WEIGHT	
G		±		-	
H		±		CUSTOMER DRAWING	
I		±		SCALE 4:1	
J		±		SHEET 1 of 1	
K		±		REV E	
L		±			
M		±			
N		±			
P		±			
Q		±			
R		±			
S		±			
T		±			
U		±			
V		±			
W		±			
X		±			
Y		±			
Z		±			