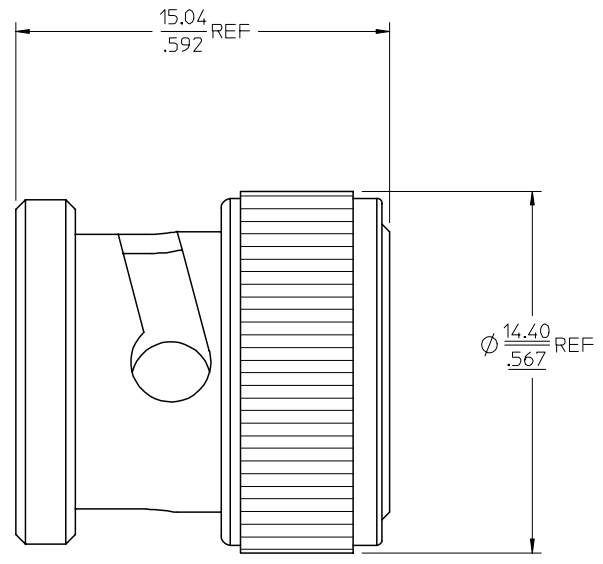
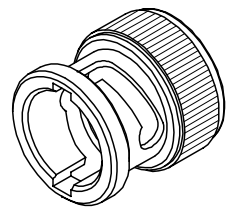


13 12 11 10 9 8 7 6 5 4 3 2 1

MATERIALS AND FINISHES
 COUPLING NUT, CAP BRASS
 PLATED NICKEL
 GASKET SILICONE RUBBER



73415-1961	73415-1960, ONE PER BAG
73415-1960	BULK
PART NO.	PACKAGING

CHG: REDREW IN SD
 CHANGED ALL DIMS
 FROM IN/MM TO MM/IN
 ADDED PN/
 73415-1961 AND
 PACKAGING INFO
 EC NO: URF2007-0264
 DRWN: FLAHERTY 2007/01/09
 CHKD: SHAH 2007/01/09
 APPR: JIMENER 2007/01/09
 A1

QUALITY SYMBOLS
 = 0
 = 0
 DESCRIPTION

GENERAL TOLERANCES (UNLESS SPECIFIED)	
mm	INCH
4 PLACES ± .004	± .0001
3 PLACES ± .005	± .0002
2 PLACES ± .007	± .0003
1 PLACE ± .010	± .0004
ANGULAR ± 2 °	

DRAFT WHERE APPLICABLE
 MUST REMAIN
 WITHIN DIMENSIONS

DIMENSION STYLE	
MM/IN	
DRAWN BY	DATE
AZR	2003/08/12
CHECKED BY	DATE
JDW	2003/08/12
APPROVED BY	DATE
GMH	2003/08/12
MATERIAL NO.	
SEE TABLE	

SCALE	DESIGN UNITS	THIRD ANGLE PROJECTION
	METRIC	
BNC PLUG, DUST CAP EWR-2143 BNC-M		
MOLEX INCORPORATED		
DOCUMENT NO.	SHEET NO.	
SD-73415-196	1 OF 1	
THIS DRAWING CONTAINS INFORMATION THAT IS PROPRIETARY TO MOLEX INCORPORATED AND SHOULD NOT BE USED WITHOUT WRITTEN PERMISSION		

12 11 10 9 8 7 6 5 4 3 2 1