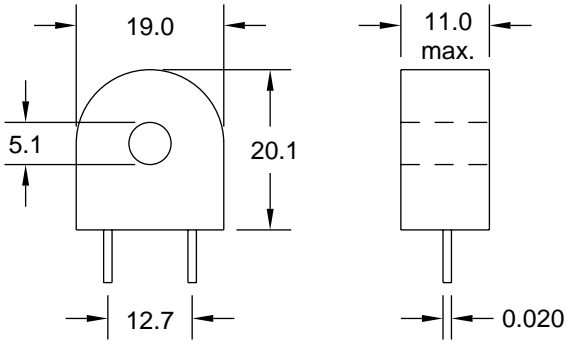


# Current Sensors

## Special Features

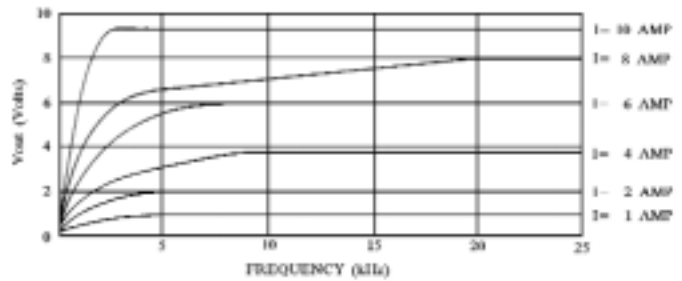
- High accuracy
- Coil encapsulated in plastic case
- Fixed lead spacing



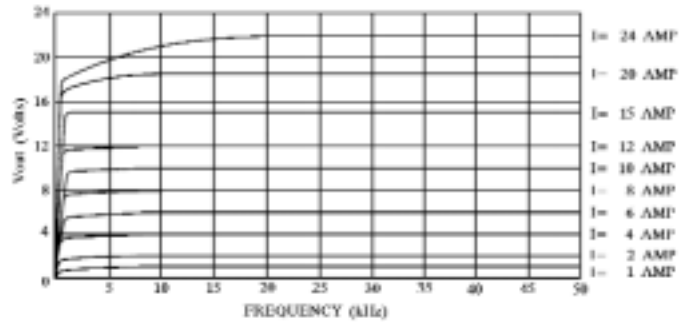
Dim: mm

7200 Series						
Part Number	I Range (A)	Freq. Range (KHz)	Load Resis. ( $\Omega$ )	Sec. Turns	Sec. L (mH) Min.	Sec. DCR ( $\Omega$ )
7201	2 - 10	5 - 50	50	50	5	0.7
7202	2 - 20	5 - 50	100	100	20	1.4
7203	2 - 35	1 - 100	200	200	80	3.8

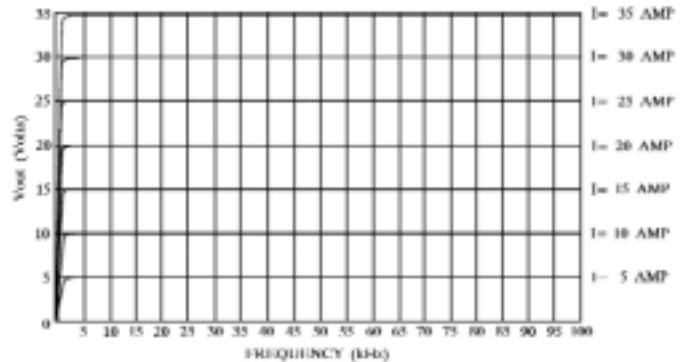
7201



7202



7303



**J.W. Miller**  
MAGNETICS

306 E. Alondra Blvd., Gardena, CA 90247-1059 • (310) 515-1720 • FAX (310) 515-1962

[www.jwmiller.com](http://www.jwmiller.com)