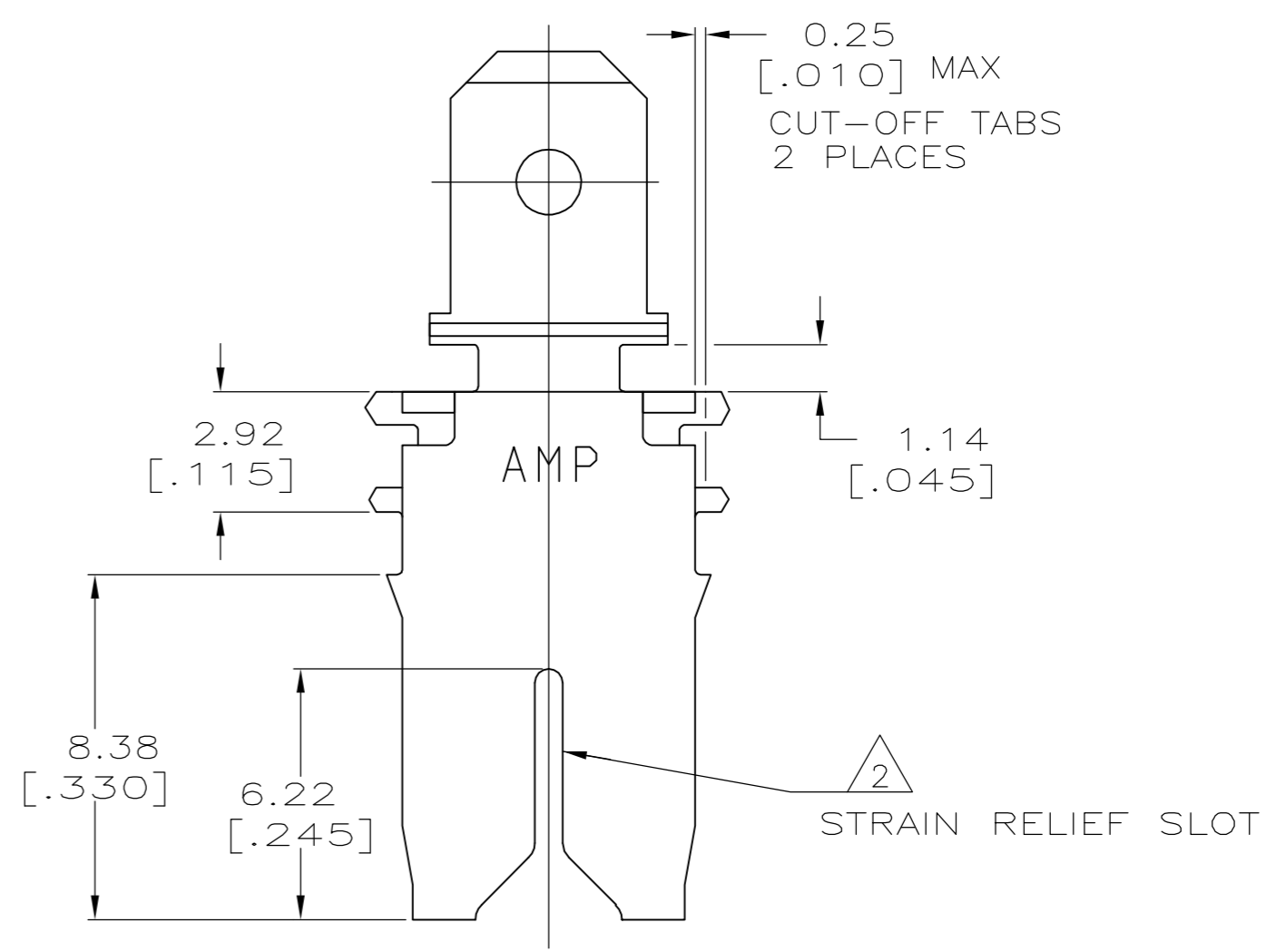
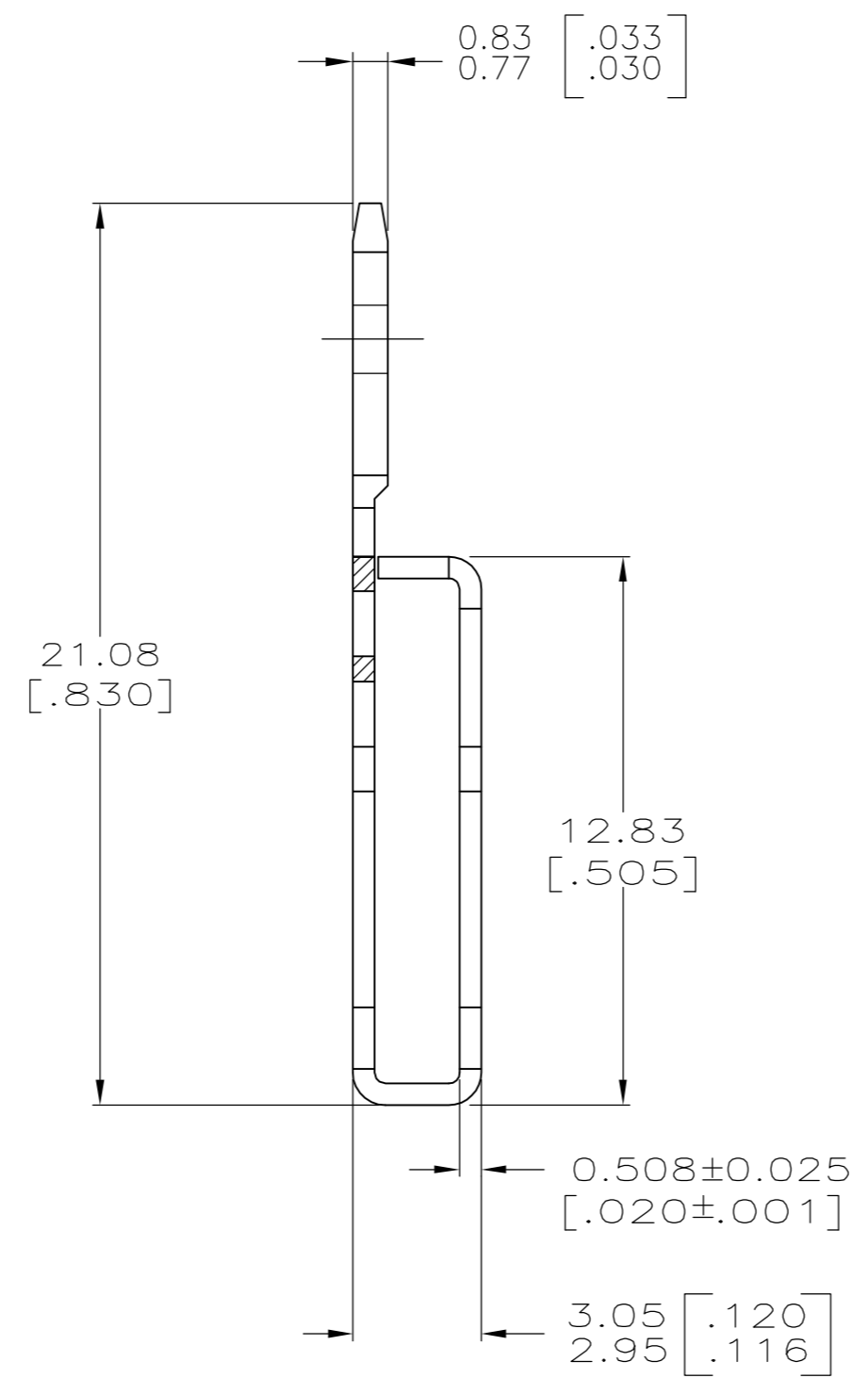
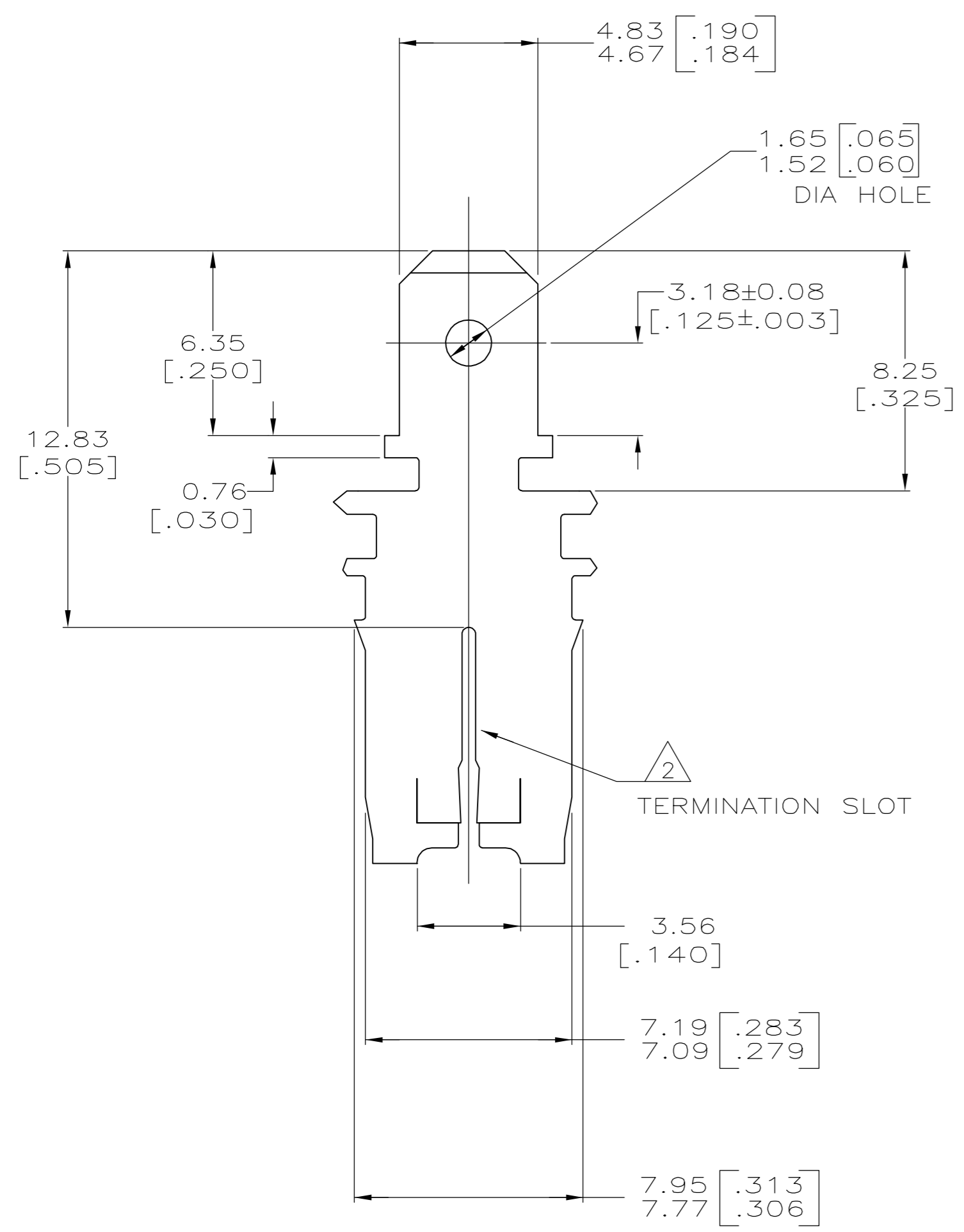
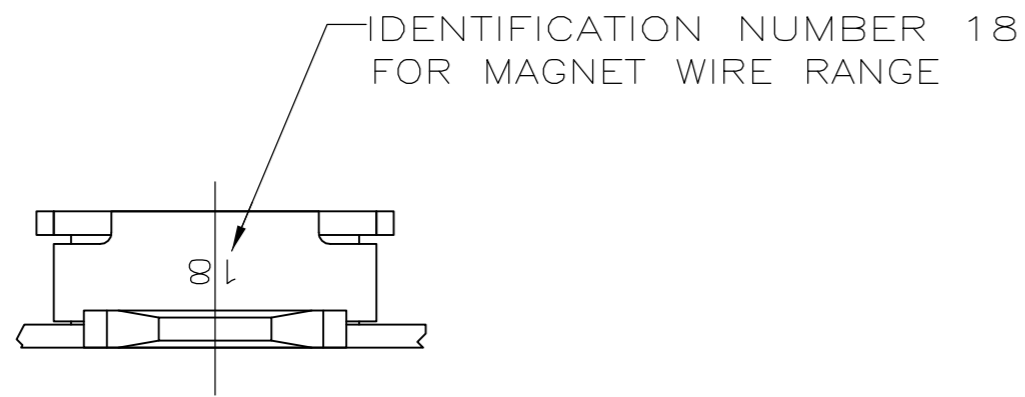


THIS DRAWING IS UNPUBLISHED. RELEASED FOR PUBLICATION  
 © COPYRIGHT BY TYCO ELECTRONICS CORPORATION. ALL RIGHTS RESERVED.

| LOC |     | DIST                      |  | REVISIONS |     |      |  |
|-----|-----|---------------------------|--|-----------|-----|------|--|
| P   | LTR | DESCRIPTION               |  | DATE      | DWN | APVD |  |
|     | C   | REVISED PER ECR-06-010427 |  | 31AUG06   | HMR | KR   |  |



- 1 CONTINUOUS STRIP ON REELS WITH TERMINALS LOCATED ON 8.38±0.08 [.330±.003] CENTERS.
- 2 SLOT TERMINATES EITHER A SINGLE OR DOUBLE MAGNET WIRE OF THE SAME SIZE AND TYPE. COPPER RANGE: 0.64-0.81mm [#22-#20] AWG.
- 3 AFTER INSERTION INTO PLASTIC HOLDER, TAB PORTION MUST BE BENT OVER 45° TO 90° OR POTTED-IN TO PREVENT PULL-OUT WHEN MATING RECEPTACLE IS DISCONNECTED.
- 4 VARNISH RESIST OVER 0.002032 [.000080] MIN TIN PLATE
- 5 PRELIMINARY - NOT FOR PRODUCTION

|                               |             |
|-------------------------------|-------------|
| 4                             | 5           |
| 0.002032 [.000080] MIN TIN PL | 1217339-2   |
| FINISH                        | PART NUMBER |

|  |  |                                    |   |                    |                         |
|--|--|------------------------------------|---|--------------------|-------------------------|
| THIS DRAWING IS A CONTROLLED DOCUMENT.   |  | DWN 23FEB2000<br>MICHAEL S. FEHER  | <b>tyco</b><br>Electronics<br>Tyco Electronics Corporation<br>Harrisburg, PA 17105-3608 |                    |                         |
| DIMENSIONS:<br>mm [INCHES]   |  | CHK 23FEB2000<br>KURT A. RANDOLPH  |   |                    |                         |
| TOLERANCES UNLESS OTHERWISE SPECIFIED:   |  | APVD 23FEB2000<br>KURT A. RANDOLPH | NAME<br>TAB, 4.75[.187] FASTON,<br>500 SERIES MAG-MATE                                  |                    |                         |
| 0 PLC ± -<br>1 PLC ± -<br>2 PLC ± 0.25[.010]<br>3 PLC ± -<br>4 PLC ± -<br>ANGLES ± - |  | PRODUCT SPEC<br>108-2053           | SIZE<br>A2  | CAGE CODE<br>00779 | DRAWING NO<br>C=1217339 |
| MATERIAL<br>082 BRASS  |  | FINISH<br>SEE TABLE                | WEIGHT<br>-   | RESTRICTED TO<br>- | SCALE<br>6:1            |
| CUSTOMER DRAWING   |  |                                    | SHEET<br>1 of 1   | REV<br>C           |                         |

1217339