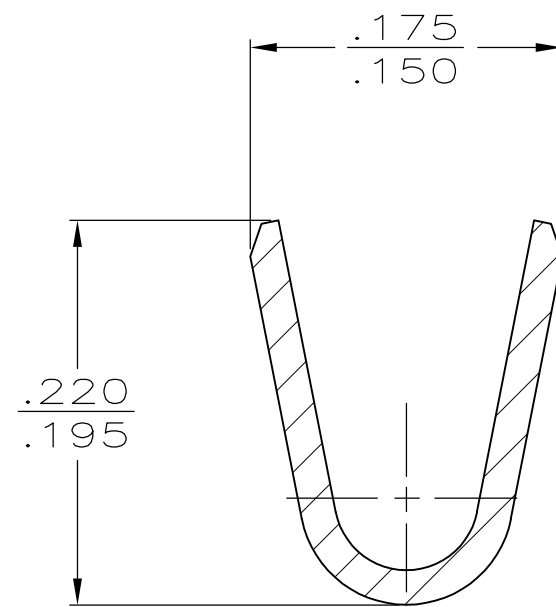
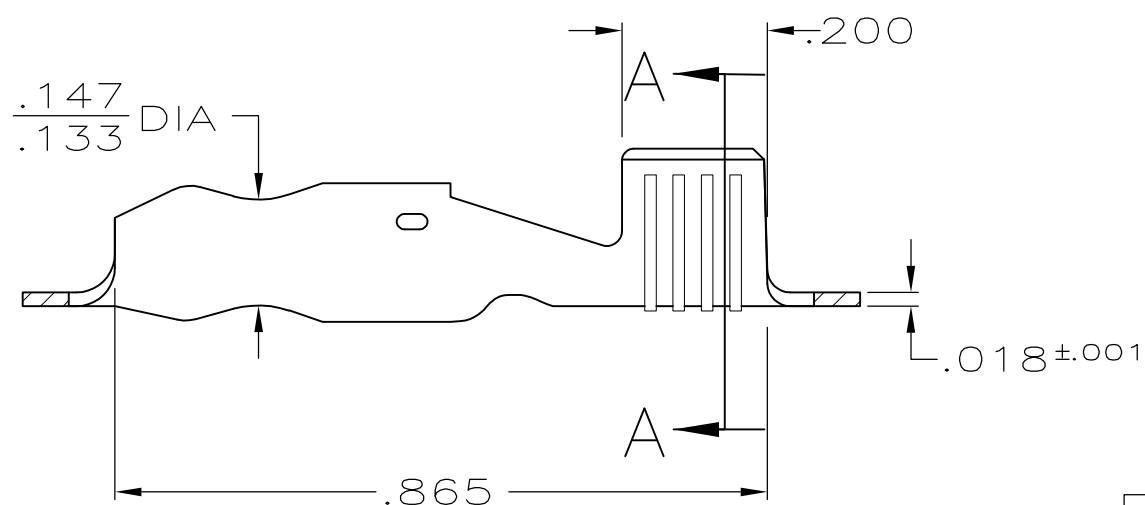
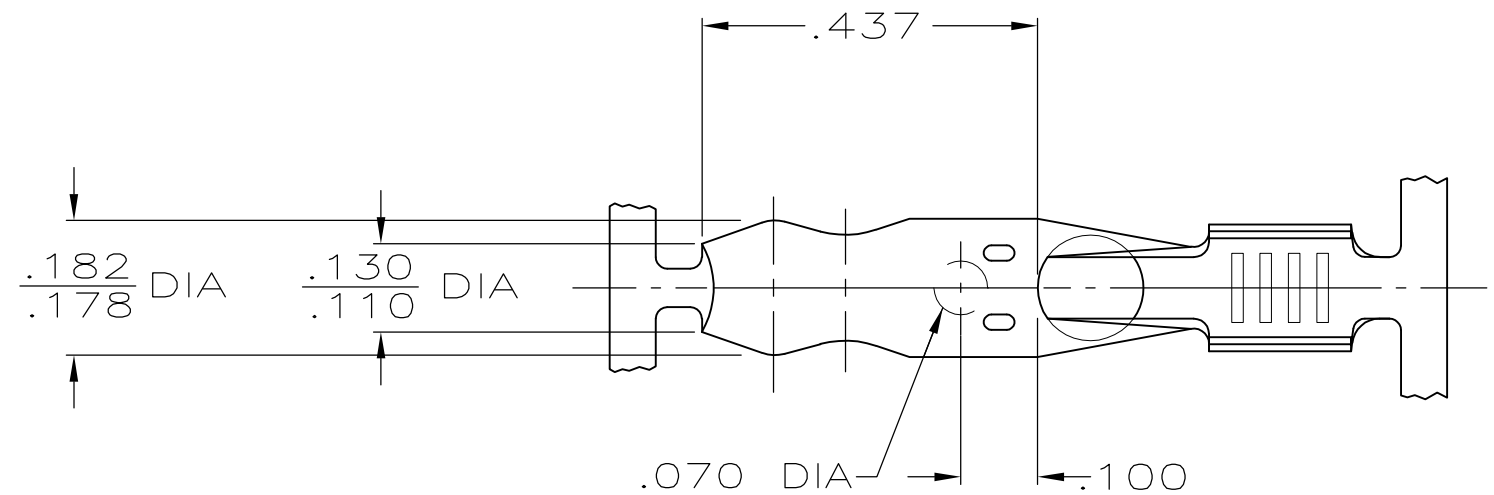


THIS DRAWING IS UNPUBLISHED. RELEASED FOR PUBLICATION  
 © COPYRIGHT BY TYCO ELECTRONICS CORPORATION. ALL INTERNATIONAL RIGHTS RESERVED.

LOC	DIST	REVISIONS					
AF	50	P	LTR	DESCRIPTION	DATE	DWN	APVD
		L1		REVISED PER ECR-08-032291	22DEC08	HMR	DD

- 1 REVERSE REELED 42865-3 ONLY
- △ .000080 MIN TIN PLATE PER ASTM-B545 OVER  
.000050 MIN NICKEL UNDERPLATE PER QQ-N-290.
- 3 WIRE SIZE IS #14-#10 AWG, 9600 CMA MAX.



SECTION A-A  
SCALE 10:1

OBSOLETE	△	1/4 HARD BRASS	42865-5
	TIN PL .000080 MIN THK ASTM-B545	1/4 HARD BRASS	42865-3
	NONE	<del>1/4 HARD BRASS</del>	<del>42865-2</del>
	FINISH	1/4 HARD BRASS	42865-1
		MATERIAL	PART NO.

THIS DRAWING IS A CONTROLLED DOCUMENT.		DWN	DK SCHRUM	3/27/89	Tyco Electronics Corporation Harrisburg, PA 17105-3608			
DIMENSIONS: INCHES		CHK	PM FORTNEY	3/27/89	NAME			
TOLERANCES UNLESS OTHERWISE SPECIFIED:		APVD	G YETTER	3/27/89	SHUR PLUG, .180 DIA			
0 PLC ± -		PRODUCT SPEC		SIZE		CAGE CODE	DRAWING NO	RESTRICTED TO
1 PLC ± -		APPLICATION SPEC		A3		00779	C-42865	-
2 PLC ± -		WEIGHT		CUSTOMER DRAWING		SCALE	SHEET	REV
3 PLC ± .015		MATERIAL		SEE TABLE		4:1	1 OF 1	L1
4 PLC ± -		FINISH		SEE TABLE				
ANGLES ± -								