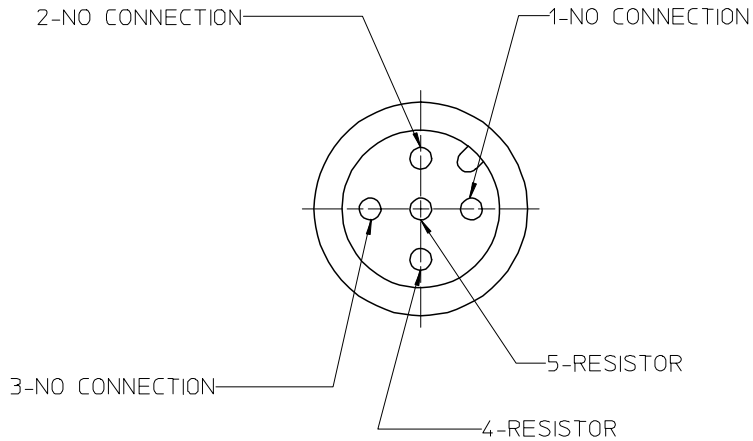
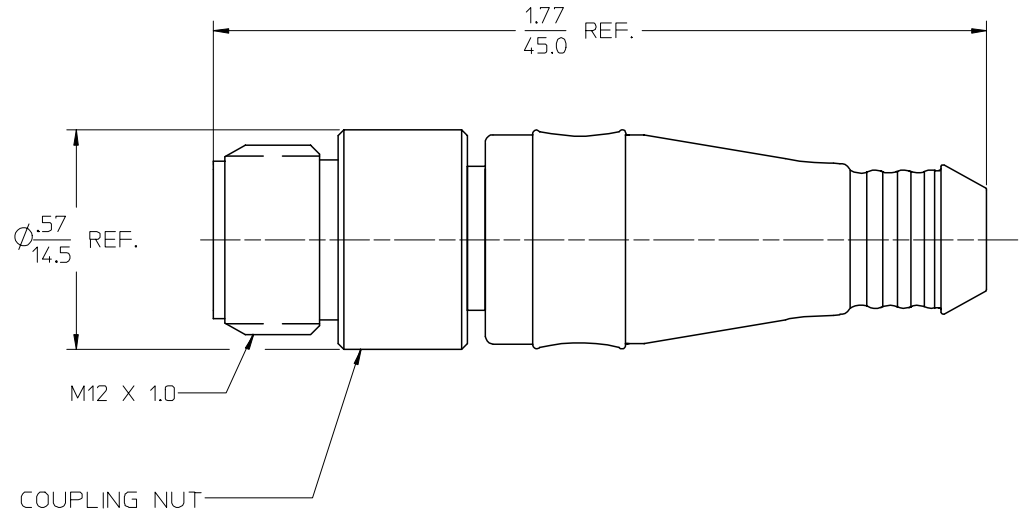


MOLEX PART NO.	OLD MOLEX PART NO.
845860018	845860005

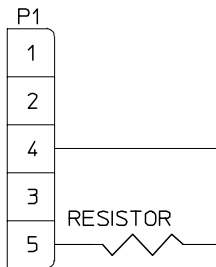


FRONT VIEW - MALE INSERT



MATERIAL SPECIFICATIONS:

1. INSERT: NYLON ZYTEL
2. CONTACTS: BRASS OR PHOSPHOR BRONZE W/GOLD FLASH OVER PALLADIUM NICKEL PLATING.
3. COUPLING NUT: NICKEL-BRASS
4. RESISTOR - 121 OHM 1/4 WATT
5. OVERMOLD: PVC GRAY
6. COMPONENTS USED IN THIS ASSEMBLY ARE RoHS COMPLIANT OR COMPLIANT BY EXEMPTION.



WIRING DIAGRAM

RELEASED EC NO: ETC2007-0424 DRWR: RSTONE 2007/05/16 CHKD: J. MACNEIL 2007/05/16 APPR: J. MACNEIL 2007/05/17	DESCRIPTION QUALITY SYMBOLS ▽=0 ▽=0	GENERAL TOLERANCES (UNLESS SPECIFIED)		DIMENSION STYLE	SCALE	DESIGN UNITS	THIRD ANGLE PROJECTION	
				IN/MM	---	INCH		
		4 PLACES	± ---	± ---	DRAWN BY	DATE		TITLE
		3 PLACES	± ---	± .005	R. STONE	2007/05/16		MICRO-C TERMINATOR, 5/C MALE, WITH RESISTOR
	2 PLACES	± 0.13	± .01	CHECKED BY	DATE			
	1 PLACE	± 0.25	± ---	J. MACNEIL	2007/05/17			
	ANGULAR ±1/2°		APPROVED BY	DATE	MOLEX INCORPORATED			
	DRAFT WHERE APPLICABLE MUST REMAIN WITHIN DIMENSIONS		J. MACNEIL	2007/05/17	SEE CHART	DOCUMENT NO.	SHEET NO.	
						SD-84586-008	1 OF 1	
				SIZE B	THIS DRAWING CONTAINS INFORMATION THAT IS PROPRIETARY TO MOLEX INCORPORATED AND SHOULD NOT BE USED WITHOUT WRITTEN PERMISSION			