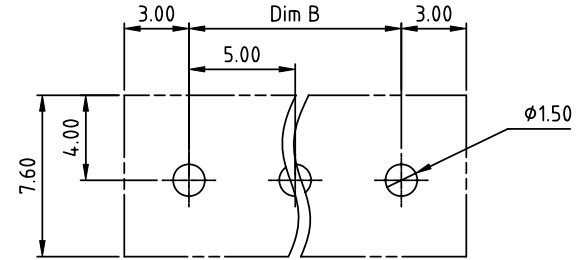
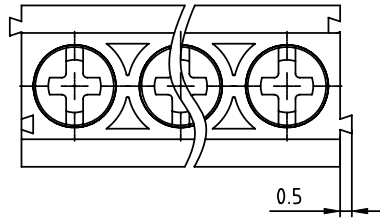
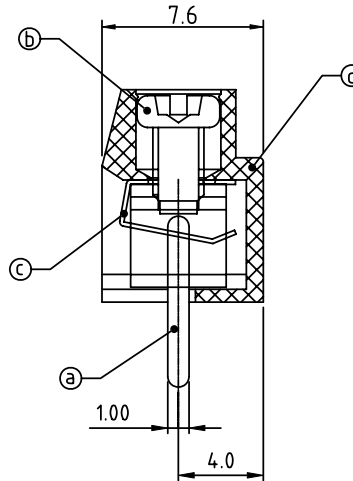
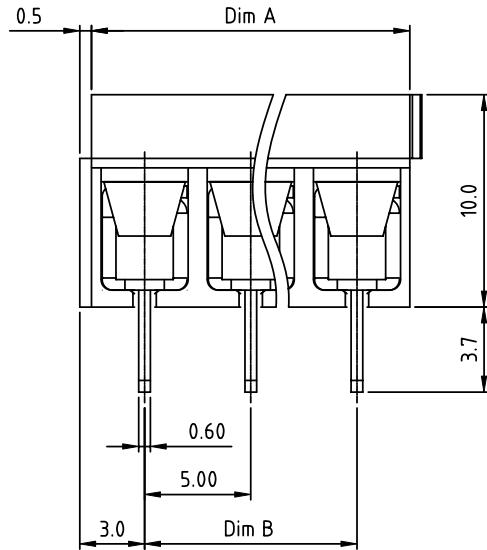


| | |
|----------------|---------|
| PRODUCT NUMBER | PITCH |
| T3xx04x100J0G | 5.00 mm |



RECOMMENDED P.C.B. LAYOUT
TOP VIEW



Material:

- Item (a) Terminal body (metal housing): Brass stamping, Tin plated
- Item (b) Terminal screw: Steel Zinc plating "+/-" combination type
- Item (c) Wire guard: Stainless steel
- Item (d) Insulator (housing): Thermoplastic (UL94V-0)

Electrical UL/TUV

- Voltage rating: 300VAC/250VAC
- Current rating: 8A/12A
- Wire range:
 - Solid wire (AWG): 14-26/0.2-2.5mm²
 - Stranded wire (AWG): 14-26/0.2-2.5mm²
- Torque: 3.5Lb-In/0.4Nm
- Screw: M2.5
- Wire strip length: 5-6mm
- Withstanding Voltage: 1.6KV
- Operating temperature: -40°C to +115°C / -40°C to +105°C
- Soldering temperature: 260°C ± 5°C / 5 Sec
- Safety Approval:

N = Number of poles
Dim A = N x 5.0
Dim B = (N - 1) x 5.0

| Poles | Dim A | Dim B |
|--------|-------|-------|
| 2-6p | ±0.25 | ±0.20 |
| 7-12p | ±0.30 | ±0.25 |
| 13-18p | ±0.35 | ±0.30 |
| 19-24p | ±0.40 | ±0.35 |

T3 xx 04 x 1 00J0 G

| | | |
|----------------|----------------------|-----------------|
| End stackable | Body Color | RoHS compliant |
| No. of poles 0 | Black (RAL9005) | (lead<4%) |
| 02 2 poles | 2 Red (RAL3001/D) | In copper Alloy |
| 03 3 poles | 3 Orange (RAL2011/P) | |
| ... | 4 Yellow (RAL1018/A) | |
| 24 24 poles | 5 Green (RAL6018/T) | |
| | 6 Blue (RAL5015/A) | |
| | 8 Grey (RAL7035/D) | |
| | 9 White (RAL1102) | |
| | C Green (RAL6018/U) | |

| | | | | | |
|-------------|----------------|-----------------------|-------------------------|---------------------------------------|---|
| mat'l. code | | surface ASME Y14.5 | tolerance ASME Y14.5 | projection | product family TERMINAL BLOCK |
| ltr | ecn no | dr | date | tolerances unless otherwise specified | title |
| | | | | angles | TERMINAL BLOCK |
| | | | | MM | WIRE PROTECTOR, TWO INTERLOCK, STACKABLE, 180D WIRE INLET |
| | | | | X ± 1° | scale |
| | | dr | EVIN ZHONG | 033114 | dwg no |
| | | enrg | EVIN ZHONG | 033114 | sheet 1 of 1 |
| | | chr | HANKE FENG | 033114 | size |
| | | appd | SHI JUN | 033114 | A4 |
| sheet index | revision sheet | A | 1 | | type CUSTOMER Drawing |