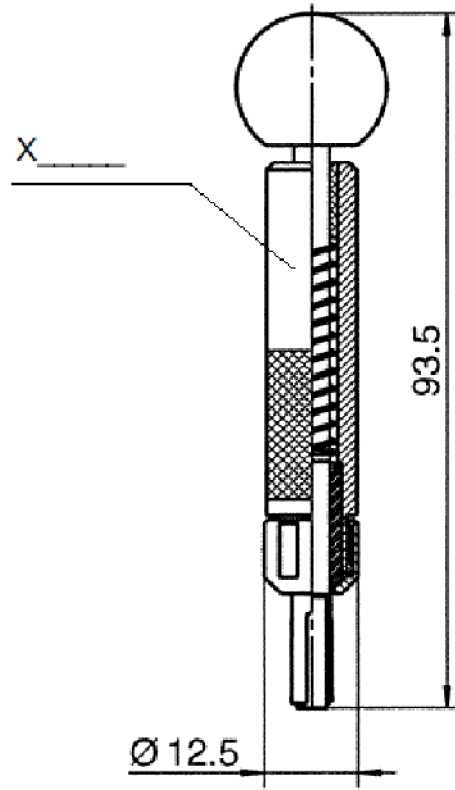


LOC AI	DIST 00	REVISIONS				
P	LTR	DESCRIPTION	DATE	DWN	APVD	
A		INITIAL REVISION	07NOV2013	BM	BM	




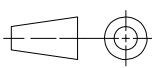
SIEMENS: V23599-M5106-U3

RELEASED FOR PUBLICATION

ALL INTERNATIONAL RIGHTS RESERVED.

© COPYRIGHT BY TYCO ELECTRONICS CORPORATION.

THIS DRAWING IS UNPUBLISHED.

DIMENSIONS: mm	DWN B. MUTH	07NOV2013	MATERIAL	FINISH		
	CHK B. MUTH	07NOV2013				
TOLERANCES UNLESS OTHERWISE SPECIFIED:	APVD B. MUTH	07NOV2013				
0 PLC ± -	PRODUCT SPEC	NAME EXTRACTION TOOL Ausdruckwerkzeug				
1 PLC ± -	APPLICATION SPEC					
2 PLC ± -	WEIGHT	A4	CAGE CODE 00779	DRAWING NO C-2-1393524-4	RESTRICTED TO -	
3 PLC ± -		CUSTOMER DRAWING		SCALE 1:1	SHEET 1 OF 1	REV A
4 PLC ± -						
ANGLES ± -						