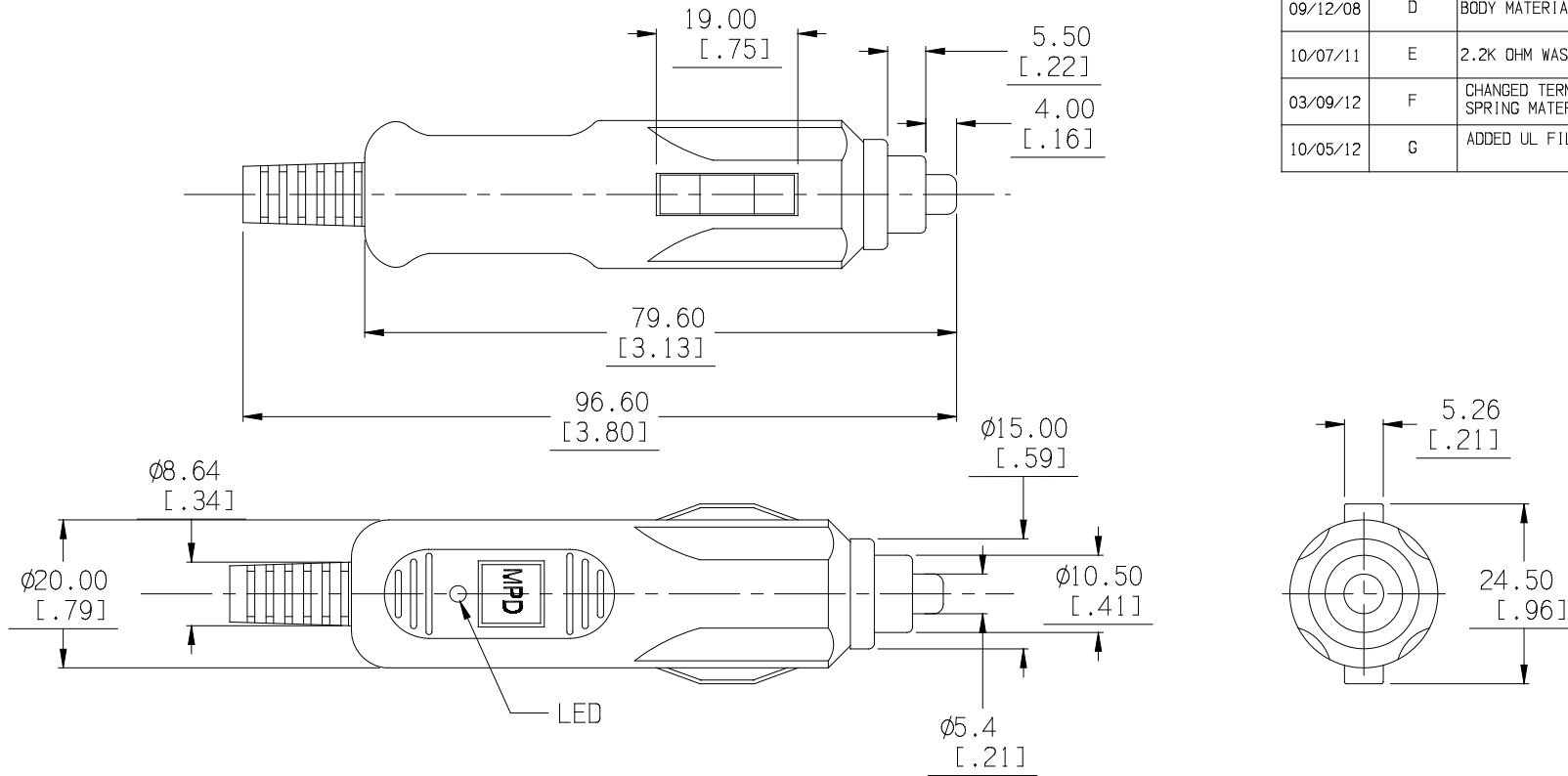



Date	SYM	REVISION RECORD	AUTH	DR.	CK.
04/05/03	A	ADDED 15 AMP IN TITLE BLOCK	T.B.	B.S.	
03/11/06	B	SPRING MATERIAL WAS P.B.P.	T.B.	B.S.	
10/28/06	C	ADDED "ROHS COMPLIANT"	T.B.	B.S.	
09/12/08	D	BODY MATERIAL WAS NYLON 66	T.B.	B.S.	
10/07/11	E	2.2K OHM WAS 22K	T.B.	B.S.	
03/09/12	F	CHANGED TERMINAL AND SPRING MATERIAL	T.B.	B.S.	
10/05/12	G	ADDED UL FILE NO.	T.B.	B.S.	



SPECIFICATION:

BODY: NYLON 6, FLAMMABILITY RATING UL94V-0 UL FILE NO. E154352
 COLOR: BLACK
 CENTER CONTACT: BRASS, NICKEL PLATED
 NEG. TERMINAL: SKS, NICKEL PLATED
 POS. TERMINAL: PHOSPHOR COPPER, NICKEL PLATED
 SPRING: PHOSPHOR COPPER
 WIRE STRAIN RELIEF: PVC
 LED: RED, Ø3mm, 2.2K Ohm, 1/4 W
 FUSE: 6.35mm x 30mm (1/4" X 1 1/4")
 RATED AT 18 HOURS, CONTINUOUS DUTY
 15 AMP'S MAX WITH CORRECT FUSE.
 ROHS COMPLIANT

Tolerance (Inches)	 Memory Protection Devices, Inc. 200 Broad Hollow Road, Farmingdale, New York 11735		
Decimal	±.5 (.020)	Scale	Drawn By B.S.
Fractional	± .8 (.030)	Approved By T.B.	
Angular	± 3°	Date	Drawing Number
		10/05/12	APP-001-15AMP
		Title	
		15 AMP CIGARETTE PLUG FOR 21 OR 22.2mm DIA. SOCKETS	