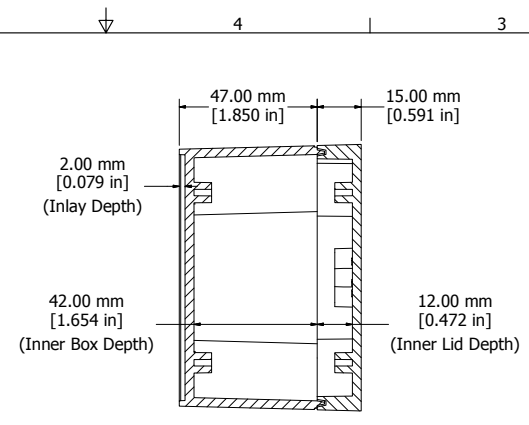
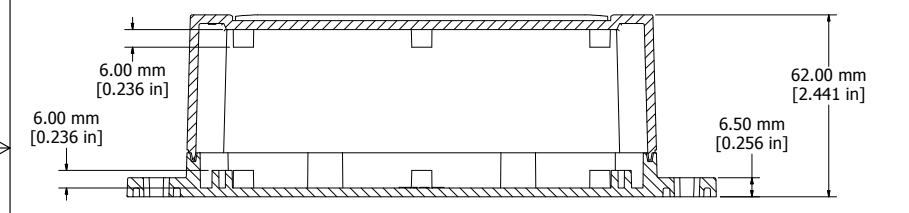
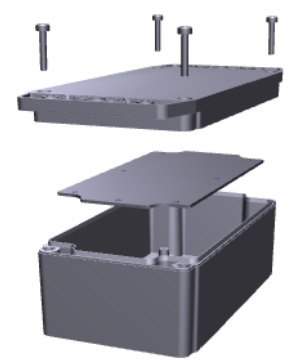


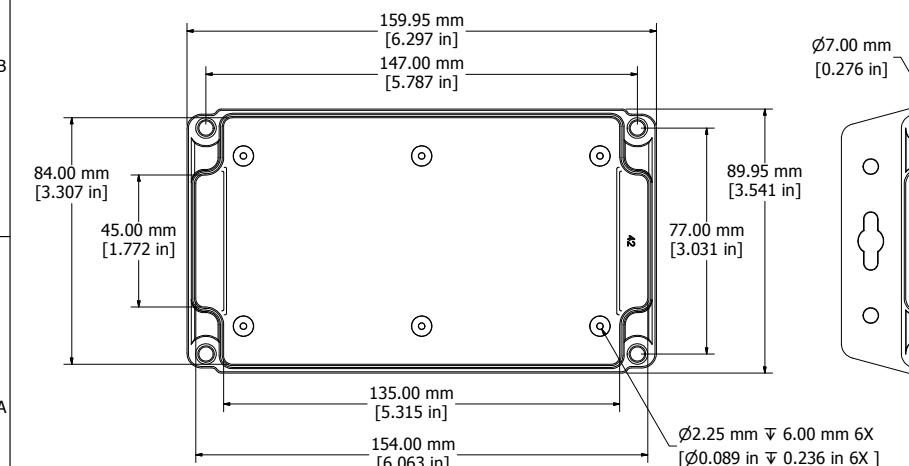
ENCLOSURE ASSEMBLY TOP VIEW



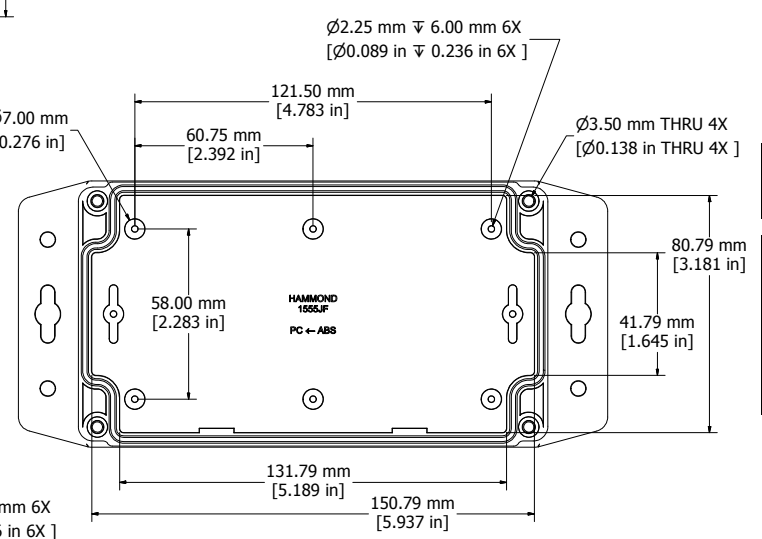
SECTION A-A  
END VIEW OF ASSEMBLY



SECTION B-B (SIDE VIEW OF ASSEMBLY)



BOX INSIDE VIEW



FLANGED LID INSIDE VIEW

Enclosures can be Factory Modified ( Milling, Drilling, Printing etc. )  
Solid models of this enclosure available in STEP or IGES.  
Contact Factory [mjm@hammondmfg.com](mailto:mjm@hammondmfg.com)

NOTE	
Purchased assembly includes Box, Lid, 4 x M4 x 20 SS Cover Screws & Preformed Silicone Gasket. Steel panel not included.	
Cover screws should be torqued to 2.5 lb·in (30 cN·m)	

1555JF42	
1555JF42 Flanged Enclosure	
General Purpose ABS RAL-7035 UL94-HB	1555JF42GY
Poycarbonate RAL-7035 UL94 - V0 / 5VA @ 3mm	1555J2F42GY
ACCESSORIES	
Heavy Duty 16 Gauge Galvanized Steel Panels	1555JFPL
Steel Panel / P.C. Board Self Tapping Screw (#4 X 1/4" (6.4mm) Nickel Plated)	1555TS100
Cover Screws (Pkg 4)	SC1554
[M4 X 20mm Type 304 Stainless Steel]	

**HAMMOND MANUFACTURING™**  
**1555JF42**  
[www.hammondmfg.com](http://www.hammondmfg.com)