

5

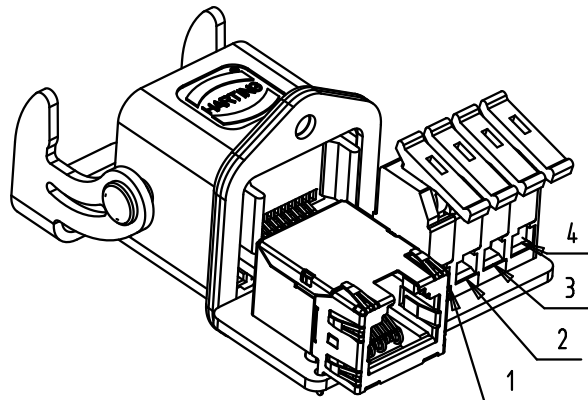
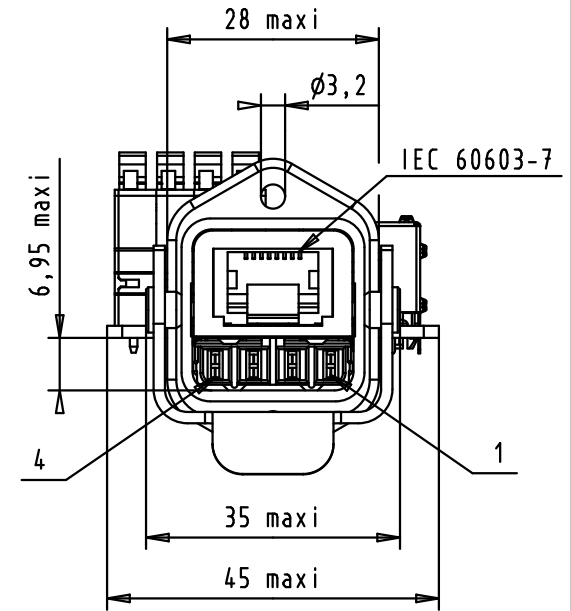
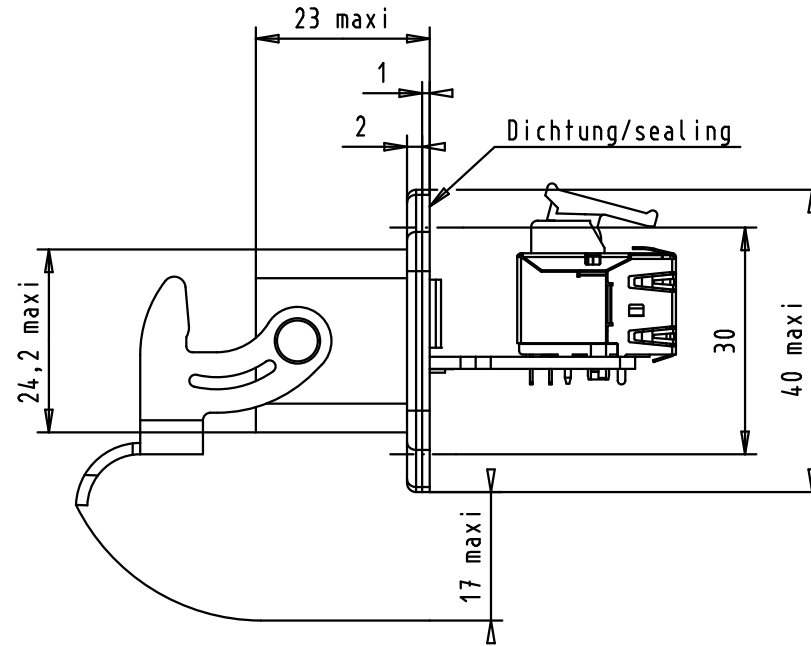
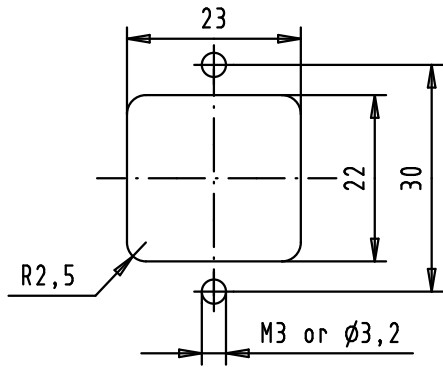
4

3

2

1

Montageausschnitt / panel cut out



All Dimensions in mm Original Size DIN A 4			Techn. Character.			Nicht tolerierte Maßel Free size tolerances			
				Dat.	Name	Maßstab/Scale	HARTING RJ Industrial RJ45 Hybrid PFT M-version (black)		
			Detail.	16/02/12	SD				
			Insp.	22/02/12	JMV				
			Stand.			1 : 1			
36289	22/02/12	SD	HARTING EURL F-95972 Paris				TB 09 45 215 1301		
EC04433	16/02/12	SD	Mod.	Dat.	Name				
							Sub.	Blatt/ page 1/1	

D

C

B

A