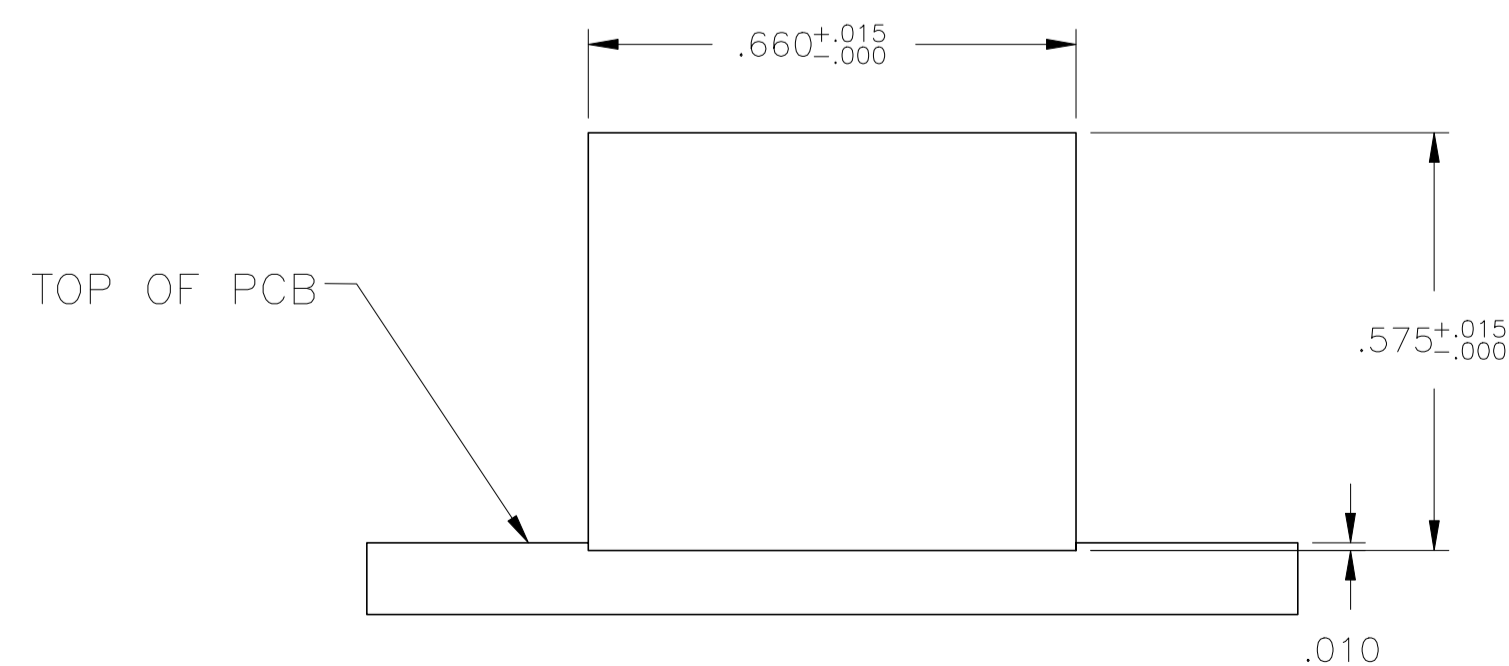
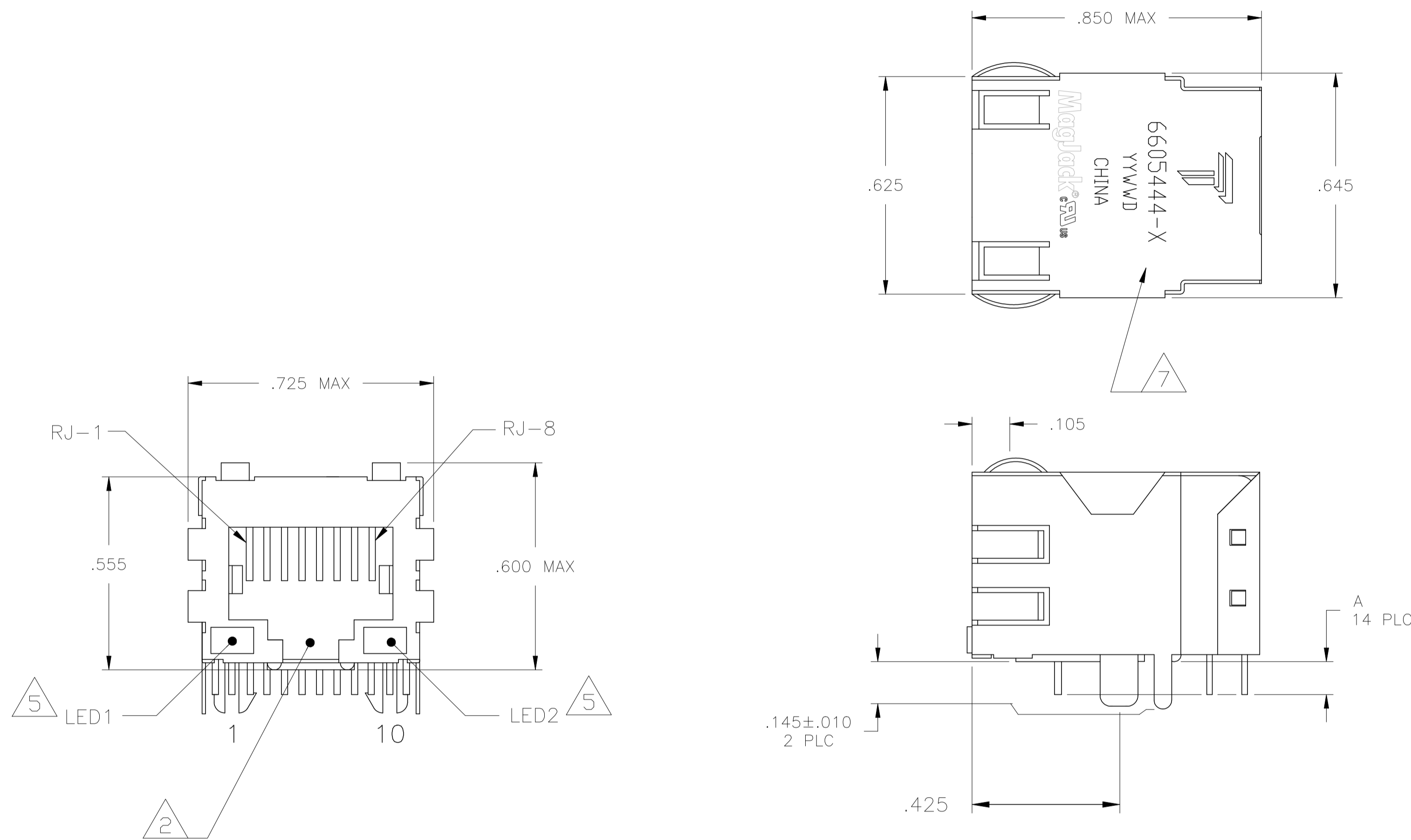


THIS DRAWING AND THE SUBJECT MATTER SHOWN THEREON ARE CONFIDENTIAL AND THE PROPERTY OF BEL/STEWART/TRP CONNECTOR AND SHALL NOT BE REPRODUCED, COPIED, OR USED IN ANY MANNER WITHOUT THE WRITTEN CONSENT OF TRP CONNECTOR.

PRODUCT MAY BE PROTECTED BY ONE OR MORE OF THE FOLLOWING US PATENTS:
 5736910 5939955 6425781 6428361 6554638 6840817 7123117
 7429195 7717749 7808751 6217391 6149050 7924130

| REVISIONS | | | | | |
|-----------|-----|-----|--------------------------------|-----------|-------|
| P | LTR | REV | DESCRIPTION | DATE | APP'D |
| M | | | EC-1411035 COMPANY LOGO CHANGE | 29DEC2014 | ST TL |

MECHANICAL:



Suggested Panel Cutout

- MATERIALS:**
 HOUSING - THERMOPLASTIC POLYESTER FLAMMABILITY RATING UL 94V-0.
 SHIELD - .010" THICK, C26800 BRASS PREPLATED WITH 30µINCH SEMI-BRIGHT NICKEL. SOLDER TABS POST DIPPED WITH 100µINCH MIN SAC SOLDER.
 MOD JACK CONTACTS - 0.0157 X 0.018" PHOSPHOR BRONZE, 1.27µm MIN NICKEL UNDERPLATE, WITH 1.27µm MIN GOLD PLATING AT MATING INTERFACE AND 2.54µm MIN MATTE TIN ON SOLDER TAILS, OR 1.27µm MIN NICKEL UNDERPLATE, WITH 0.05µm GOLD PLATING OVER 0.76µm MIN PALLADIUM NICKEL PLATING AT MATING INTERFACE AND 2.54µm MIN MATTE TIN ON SOLDER TAILS.
 LIGHT EMITTING DIODE(LED) - DIFFUSED EPOXY LENS, .020" x .020" CARBON STEEL WIREFRAME LEADS PRE-PLATED WITH 80µINCH SILVER OVER 40µINCH NICKEL UNDERPLATE OVER 40µINCH COPPER UNDERPLATE. POST-PLATED WITH 100µINCH MIN MATTE TIN AND/OR SAC SOLDER DIP OR PURE TIN SOLDER DIP.
- RJ45 JACK CAVITY CONFORMS TO FCC RULES AND REGULATIONS PART 68, SUB PART F.
- MAGNETICS**
 -IMPEDANCE: 100 OHMS
 -TURNS RATIO (CHIP CABLE): 1:1 ALL FOUR PAIRS
 -OPEN CIRCUIT INDUCTANCE (OCL): 350µH MIN @100kHz, 0.1VRMS, 8mADC BIAS FROM 0°C TO 70°C, ALL FOUR PAIRS
 -ALL FOUR PAIRS BI-DIRECTIONAL
 -PERFORMANCE @ 25°C:
 INSERTION LOSS (IL): 1.1dB MAX FROM 0.5MHz TO 100MHz
 RETURN LOSS (RL): 18dB MIN FROM 0.5MHz TO 40MHz
 12-20LOG(f/80)dB MIN FROM 40.1MHz TO 100MHz
 CROSSTALK ATTENUATION: 35dB MIN FROM 0.5MHz TO 40MHz
 33-20LOG(f/50)dB MIN FROM 40.1MHz TO 100MHz
 COMMON MODE REJECTION RATIO (CMRR): 30dB MIN FROM 0.5MHz TO 100MHz
 -ISOLATION VOLTAGE:2250VDC(MAX) FOR 60 SECONDS WITH A RISE TIME OF 500V/SEC.
- OPERATING TEMPERATURE: FROM 0°C TO +70°C.
- THE 250 OHM LED RESISTORS ARE OPTIONAL, PLEASE SEE CHART FOR PRESENCE OR ABSENCE OF LED RESISTORS. IF THE LED WITHOUT 250 OHM RESISTORS, LED IS DRIVEN WITH CONSTANT CURRENT AT APPROX 20mA.
 LED COLOR: DOMINANT WAVELENGTH (λD): GREEN 568 nm TYP. @ IF=20mA
 FORWARD VOLTAGE (VF): GREEN 2.2V TYP. @ IF=20mA
 DOMINANT WAVELENGTH (λD): YELLOW 588 nm TYP. @ IF=20mA
 FORWARD VOLTAGE (VF): YELLOW 2.1V TYP. @ IF=20mA
 DOMINANT WAVELENGTH (λD): ORANGE 605 nm TYP. @ IF=20mA
 FORWARD VOLTAGE (VF): ORANGE 2.1V TYP. @ IF=20mA.

IF THE LED WITH 250 OHM RESISTORS,LED IS DRIVEN WITH 5V VOLTAGE AND THE MAX OPERATING CURRENT IS 20mA.
 LED COLOR : DOMINANT WAVELENGTH (λD): GREEN 568 nm TYP. @ VF=5V
 FORWARD CURRENT (IF): GREEN 12 mA TYP. @ VF=5V
- INDICATED MAGNETIC CONNECTIONS ARE SYMMETRICAL TO SUPPORT AUTO-MDI/MDIX.
- TRP CONNECTOR LOGO, PART NUMBER, DATE CODE, COUNTRY OF ORIGIN AND AGENCY APPROVAL MARKING IN APPROXIMATE LOCATION SHOWN. DATE CODE: "YY" IS YEAR, "WW" IS WORK WEEK, "D" IS DAY OF WEEK, WITH SUNDAY=1
- THESE PARTS ARE RECOMMENDED FOR WAVE SOLDERING PROCESS, PREHEAT TEMPERATURE IS 120°C TO 160°C, 120 SECONDS TO 180 SECONDS, PEAK WAVE SOLDERING TEMPERATURE IS 260°C MAX,10 SECONDS MAX.

| | | | | | | | |
|----------|--------------------|-----------|--------------|-------------------|--------------|-------------------|-------------|
| | HIGH TEMPERATURE | .145±.010 | GREEN | YES | GREEN | YES | 3-6605444-1 |
| OBSOLETE | NORMAL TEMPERATURE | .145±.010 | GREEN | YES | GREEN | YES | 2-6605444-1 |
| | HIGH TEMPERATURE | .090±.010 | GREEN/YELLOW | NO | GREEN/YELLOW | NO | 3-6605444-6 |
| OBSOLETE | NORMAL TEMPERATURE | .145±.010 | GREEN/YELLOW | NO | GREEN/YELLOW | NO | 2-6605444-6 |
| OBSOLETE | NORMAL TEMPERATURE | .090±.010 | GREEN | NO | GREEN/ORANGE | NO | 1-6605444-8 |
| OBSOLETE | NORMAL TEMPERATURE | .090±.010 | GREEN/ORANGE | NO | YELLOW | NO | 1-6605444-3 |
| | NORMAL TEMPERATURE | .090±.010 | GREEN | YES | GREEN | YES | 1-6605444-1 |
| | NORMAL TEMPERATURE | .090±.010 | GREEN/YELLOW | NO | GREEN/YELLOW | NO | 6605444-6 |
| | HOUSING MATERIAL | A | LED1 | 250 OHMS RESISTOR | LED2 | 250 OHMS RESISTOR | PART NUMBER |

THIS DRAWING IS A CONTROLLED DOCUMENT.

| | | | |
|-----------------------|--|----------------------------|-----------------|
| DIMENSIONS: INCHES | TOLERANCES UNLESS OTHERWISE SPECIFIED: | DIN G. ATTADIA - 09MAR2005 | DOCKS 09MAR2005 |
| 0 PLC ± - | 1 PLC ± - | 09MAR2005 | 09MAR2005 |
| 2 PLC ± 0.010 | 3 PLC ± 0.005 | | |
| 4 PLC ± - | ANGLES ± - | | |
| PRODUCT SPEC 108-2100 | APPLICATION SPEC - | | |

APPROVED BY: D. FAROLE

MODEL NAME: MAGJACK

DESCRIPTION: SINGLE NON-POE

SIZE: A1

CAGE CODE: -

DRAWING NO: 6605444

RESTRICTED TO: -

CUSTOMER DRAWING

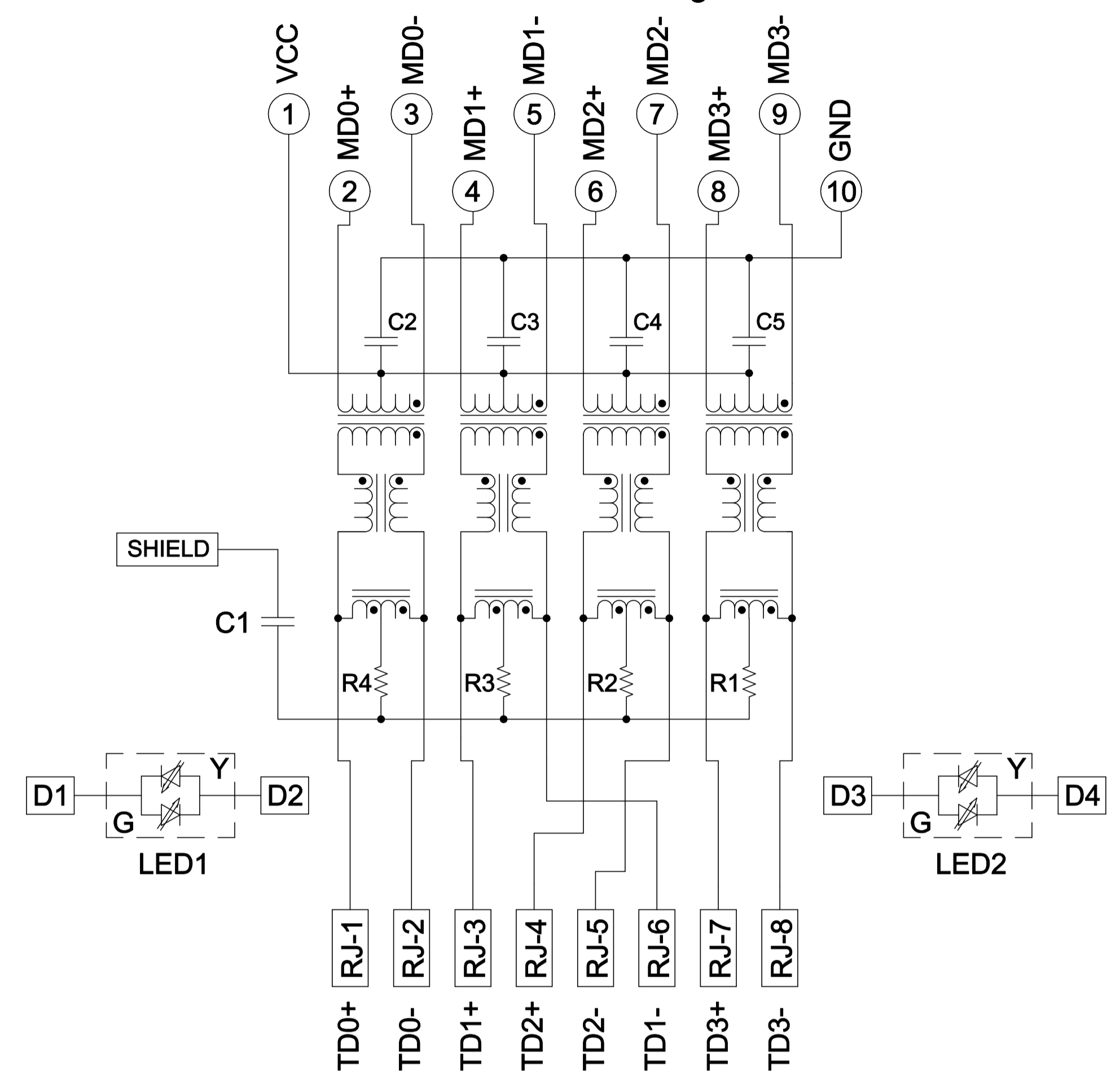
SCALE: 1:1

SHEET: 1 OF 2

REV: M

ELECTRICAL:

4G05P1 Series GIGABIT Magnetic Circuit

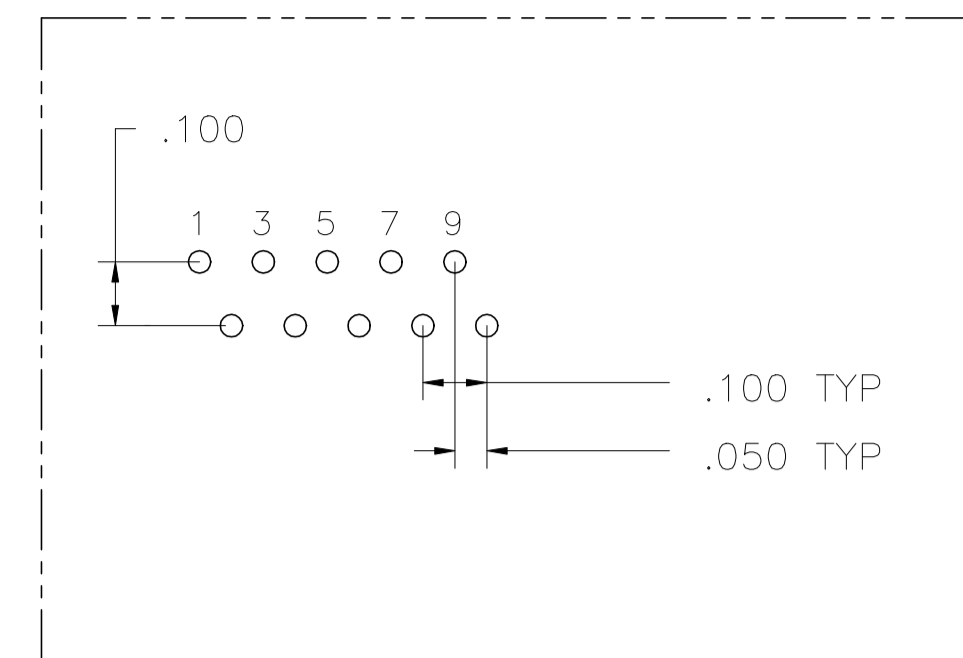


LED CONFIGURATION
For 1-6605444-1 ONLY

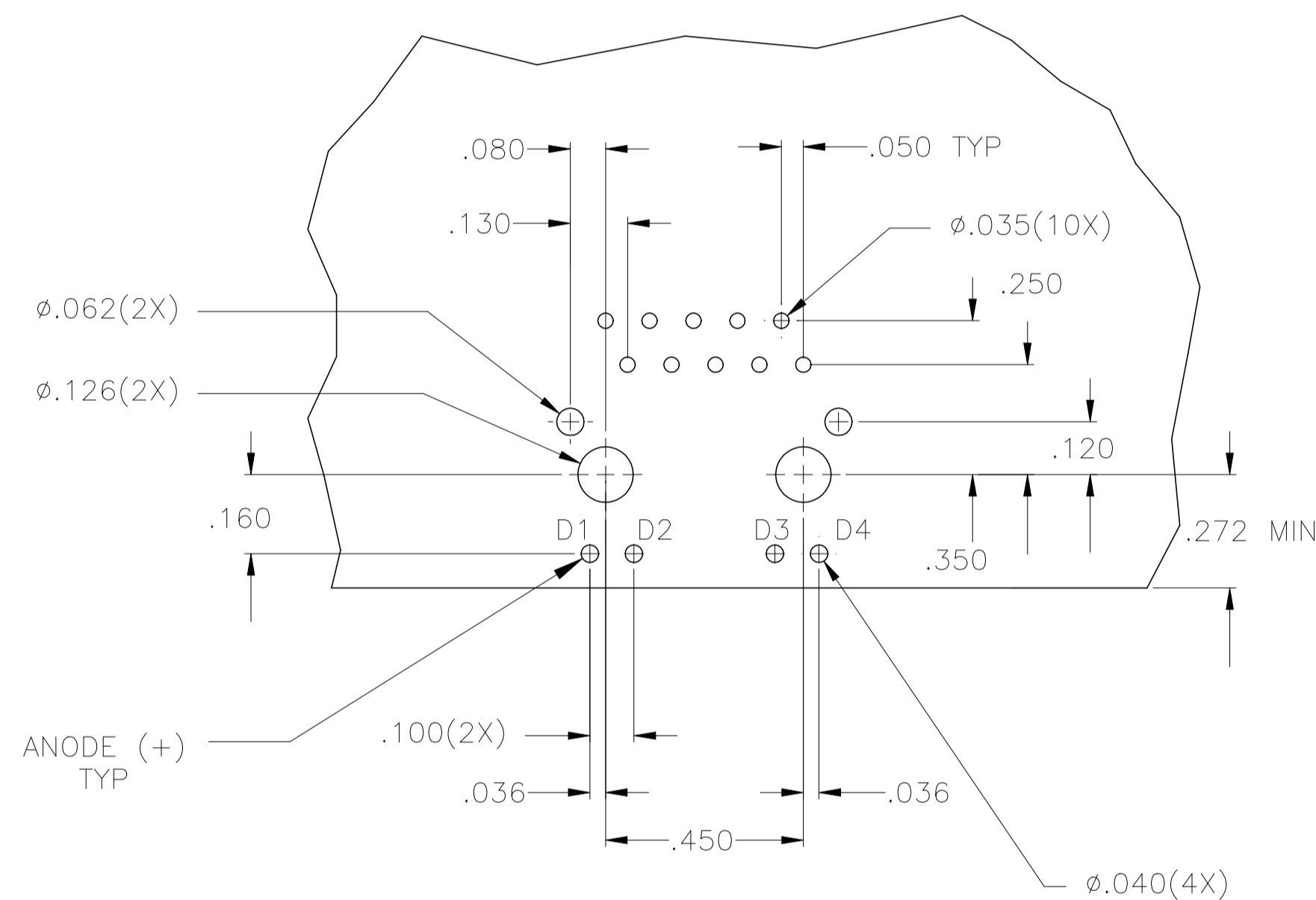
C1 = 1000 pF, 2kV CAPACITOR

R1-R4 = 75 OHMS, 1/16 W RESISTORS

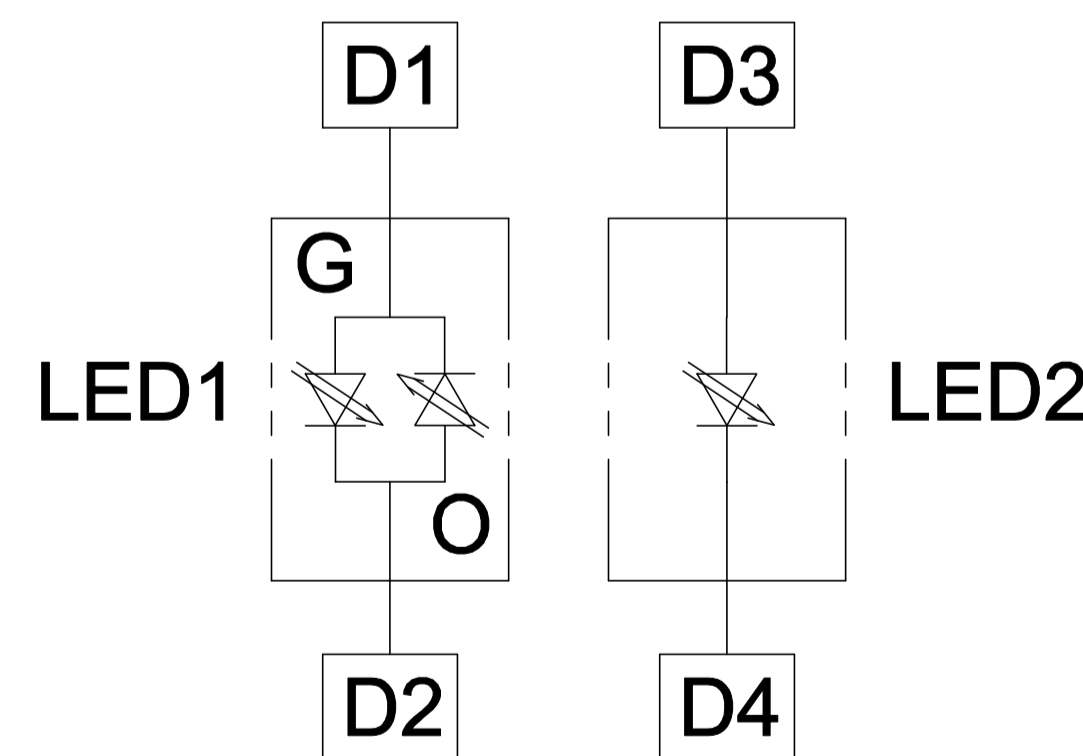
C2-C5 = 0.1uF, 50V, X7R CAPACITORS



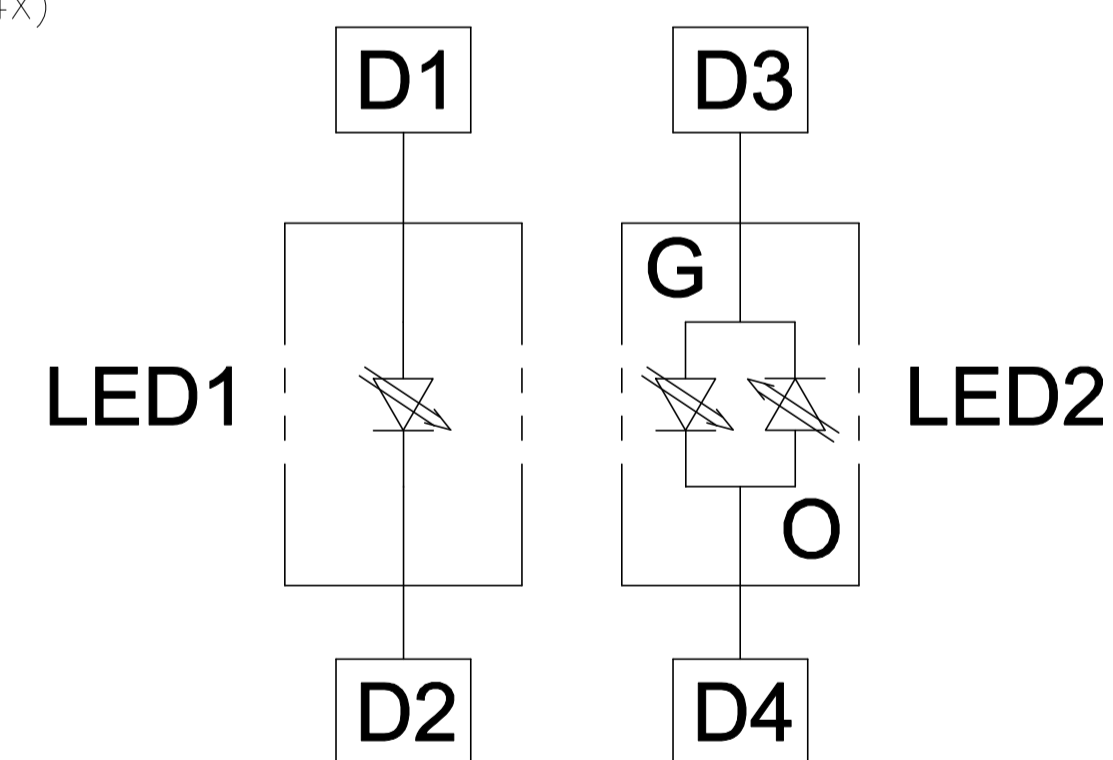
Pin Designations



Suggested PCB Layout
(Component Side)



LED CONFIGURATION
FOR 1-6605444-3 ONLY



LED CONFIGURATION
FOR 1-6605444-8 ONLY

| | | | | | |
|---|--|--------------------------|--|--|----------------|
| THIS DRAWING IS A CONTROLLED DOCUMENT. | | DIN G. ATTADIA 09MAR2005 | | trp CONNECTOR <small>a bel group</small> | DONGGUAN CHINA |
| DIMENSIONS: INCHES | | DOKKS 09MAR2005 | | | |
| TOLERANCES UNLESS OTHERWISE SPECIFIED: | | APFD D. FAROLE 09MAR2005 | | DESC 1X1 4G05P1 GIGABIT TAB DOWN W/ LED | |
| 0 PLC ± - 1 PLC ± - 2 PLC ± 0.010 3 PLC ± 0.005 4 PLC ± - ANGLES ± - APPLICATION SPEC | | MODEL NAME | | SIZE CAGE CODE DRAWING NO RESTRICTED TO | |
| PRODUCT SPEC 108-2100 | | SINGLE NON-POE | | A1 ©=6605444 | |
| | | CUSTOMER DRAWING | | SCALE 1:1 SHEET 2 OF 2 REV M | |