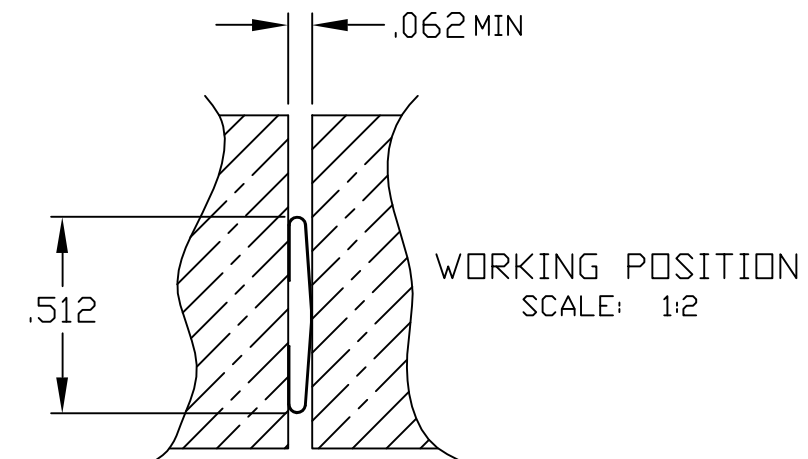
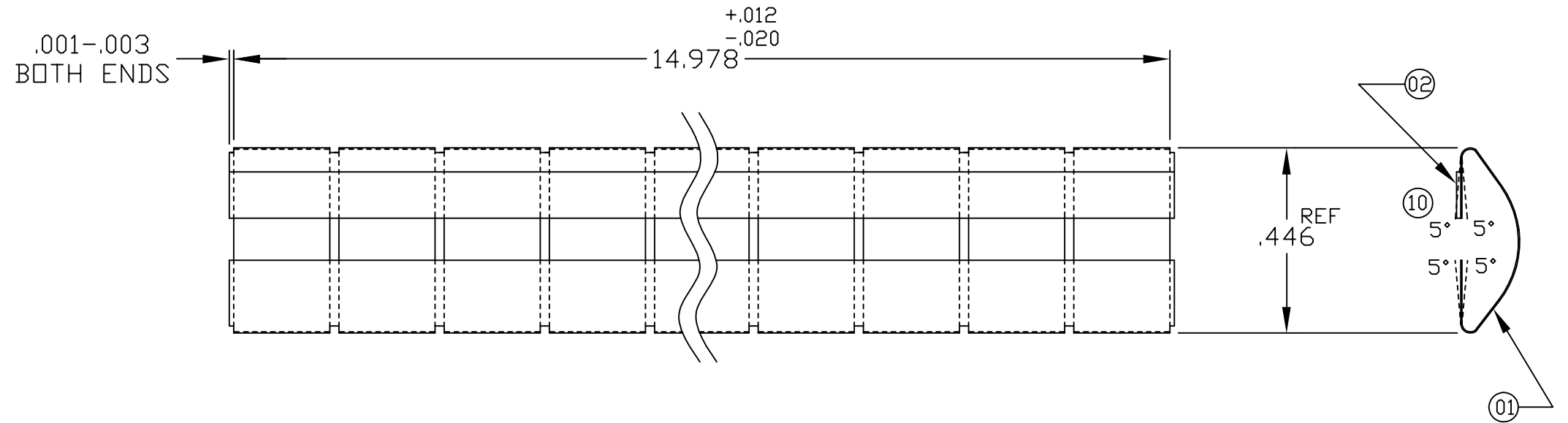



ITEM 01:

REFER TO 0097-0934 FOR ALL
DIMENSIONS NOT SHOWN.
NOTE: LESS NOTCHES

THIS INFORMATION IS CONFIDENTIAL AND PROPRIETARY TO LAIRD TECHNOLOGIES.
IT MAY NOT BE DISCLOSED TO ANYONE, OTHER THAN LAIRD TECHNOLOGIES
PERSONNEL, WITHOUT WRITTEN AUTHORIZATION FROM LAIRD TECHNOLOGIES.

DWG. NO.	0097-0954
REDRAWN & REVISED, OP'S REVISED, K.D. JNS 11-25-85	05
OP#1 WAS 97-931.1 NOTCH, PIERCE & CUT OFF-ADDED REFER NOTE & MFG. NOTES. .150 WAS 3/16 TA WHS 7-28-86	06
SEE DWG 0097-C-0931 REMOVED FROM ITEM 01 MAT'L. MFG. NOTES REMOVED. TA WHS 9-3-86	07
14.978 +.012 /-.020 WAS 15±.030 .000-.003 ADDED. PARTIAL FINGERS REMOVED. K.D. WHS 9-3-86	08
ECN 3668 ADD SIZE OP. RCC 5-26-89 ES 5-30-89	09
ECN 5185 ADD ANGULAR TOL. TO LEGS. RCC 4-11-90 EWS 4-11-90	10
ECN 5231 OP#1 WAS NOTCH, PIERCE & CUT-OFF. REMOVE (2) FORM OP'S. ADD 'Z' FORM. RCC 6-5-90 EWS 6-6-90	11
ECN 6174 DELETE SIZE OP. RCC 6-26-91 EWS 6-27-91	12
.110 WIDE TAPE WAS .150 WIDE. JCH 3/15/92 ES 3-17-92	13
ECN 8564 REMOVED OPS. BMG 11-5-93 EWS 11-8-93	14



ITEM	MATERIAL	MATERIAL:	SEE CHART	TOLERANCES NOT SHOWN		DRAWN BY:	DATE:
01	.003 X .902 BeCu REF.	HEAT TREATED:	TO DPH 383 MIN USING A 500 GRAM LOAD	DECIMAL 2 PL'S ± .010 DECIMAL 3 PL'S ± .010		KD	11/19/85
13 02	.110 WIDE PRESSURE SENSITIVE TAPE-SEE DWG. 0097-0446	THICKNESS AFTER:	CLEANING: .0026 MIN.	ANGULAR ± ---	DELAWARE WATER GAP PENNSYLVANIA	CHECKED BY:	DATE:
		FINISH:	AS REQUIRED	THIRD ANGLE PROJECTION		RKM	12/05/01
				UNITS: INCH [MM] SCALE: 3:1		APPROVED BY:	DATE:
						ES	12/05/01
						LAIRD STANDARD	
		DWG. NO.	0097-0954			REF. DWG NO. 0097-0934	
						DWG. NO.	SUB
						0097-0954	14
CAD MAINTAINED DRAWING. MANUAL CHANGES UNAUTHORIZED.							

B