

SOURIAU

UTL SERIES



UL/IEC Power + Control Supply

**Esterline**  
Connection Technologies





## Contents

### Overview

Typical applications .....	06
Features & Benefits .....	07
Range overview .....	08
General technical characteristics .....	10

### Connector

Overmolded cable assembly.....	14
3 Contacts + ground .....	18
5 Contacts .....	22
6 Contacts .....	26
8 Contacts .....	30

### Contacts

Description .....	36
Contact plating selector guide .....	37
Contact selector guide .....	38
Packaging .....	38
Crimp contacts .....	39
#16 coaxial contacts .....	41
PCB contacts .....	42

### Technical Information

Stripping instructions .....	46
Tooling .....	49
Handle & interchangeable heads .....	51
Crimping control .....	52
Insertion tool & extraction tool .....	53
Assembly instructions .....	54
Mated connector length.....	57
Evaluation kit .....	59
Rated current & working voltage .....	63
UV resistance .....	64
UL94 + UL1977 .....	65
IEC 61984 with IP code explained .....	68
IEC 61140 explained .....	70
What is NEMA Rating? .....	71
Ethernet for the Layman .....	72
RS-485 for the Layman .....	74

### Appendices

#16 coaxial contacts - Cabling notices .....	78
Glossary of terms .....	85
Part number index.....	86

# UTL SERIES

# Overview

■ Typical applications .....	06
■ Features & Benefits .....	07
■ Range overview .....	08
■ General technical characteristics .....	10

## Typical applications



Stage & Light



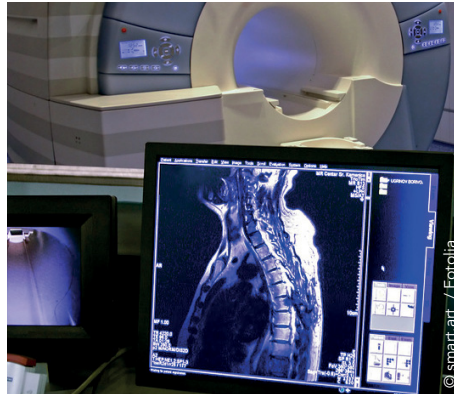
Energy - Power



Building Automation & Control



Telecom - Data infrastructure



Medical



Instrumentation & Measurement

## Features & Benefits

### WATER PROOF

#### IP68/69K Dynamic Mated & Unmated

Ideal for outdoor and indoor dynamic applications requiring continuous underwater immersion, routine pressure washing and dust protection.

### UV RESISTANT

#### No Degradation - Long Outdoor Life

No mechanical degradation or important color variation due to environmental exposure (F1 material per the UL 746C).

### UL/IEC COMPLIANT

#### Qualified & Certified

- UL file: E169916
- VDE customer n°: 4282400

### QUICK RELEASE

#### Sensitive and Audible Click

Unique "Keyhole" shape of the connector allows users to mate and unmate in blind conditions with audible click confirming connection. Easy to use thumb latch design reduces labor and time during installations.

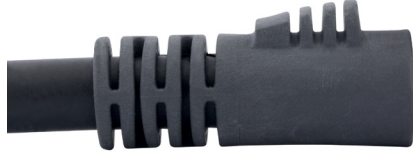
### FLEXIBLE

#### Direct Burial Compatible

The connector and cable are suitable for direct burial applications, providing additional flexibility to our customers.

**HARNESS**

Straight overmold  
(with or without strain relief)



**PLUG**

UTL6



Backshell UTL14JC only for 5 pos. (145)



UTL6JC only for 5 pos. (145)



**TYPES OF CONTACTS**



Machined pin



Machined sealed pin



Stamped and formed pin



Machined socket



Machined sealed socket



Stamped and formed socket



Screw socket only for UTL145

Terminating Resistance  
120Ω impedance

Only for 6 pos. (102G1W3) & 8 pos. (122G1W5)



**EVALUATION KIT**

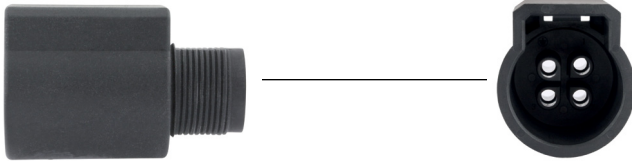




overview

RECEPTACLES

In line - UTL1



Jam nut - UTL7



Square flange - UTL0 only for 4 pos. (103G1)

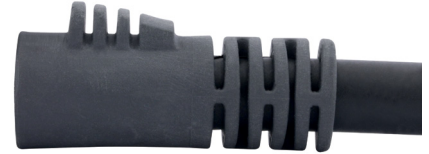


Terminating Resistance  
120Ω impedance  
Only for 6 pos. (102G1W3) & 8 pos. (122G1W5)



HARNESS

Straight overmold  
(with or without strain relief)





## Description

- The UTL Series is a plastic connector range that meets industrial safety standards.
- UTL can be used for power supply and power + control supply with DMX or RDM signal.
- The «Key hole» of the coupling system allows blind mating. In dark conditions the mechanical discriminations allow easy mating to avoid connector damage.
- The stainless steel latch coupling system is simple to use. With only 1 finger, connectors are mated with an audible click.
- The UTL Series is rated at IP68/69K even in dynamic conditions and remains sealed even when used continuously underwater or cleaned using a high pressure hose while the cable is moving.
- The UTL Series uses an outdoor rated material per Underwriters Laboratories.
- Cable assembly equipped with DMX + Power cables suitable for outdoor use (PUR or Neoprene outer jacket), please consult us for more information.

## Technical features

### Materials

- **Housing:** Thermoplastic
- **Contacts:** Copper alloy
- **Latch:** Stainless steel

### Electrical

- Connector specially designed to be engaged or disengaged in normal use when live or under load
- First Mate Last Break contact mating on ground line
- Signal lines (for UTL102G1W3 & UTL122G1W5): RS485 compliant, 2.5A 10V
- Finger touch proof
- **In accordance with:**
  - Connector standards:
    - . UL 1977: UL file number ECBT2.E169916
    - . IEC 61984: please consult us
    - . C22.2 N°182.3: file number ECBT8.E169916
  - Equipment standards:
    - . IEC60065, IEC60598, IEC61076-2-103, IEC60320

. UL1598, UL498, UL94 , UL746



### Environmental

- **Operating temperature (according to IEC61984):**  
From -40°C to +105°C for connector
- **Flammability rating:**  
UL 94: V-0 for connector  
UL94: 5VA for thermoplastic  
UL746C: 5 inch (127mm) end-product flame test
- **Salt spray:**  
≥1,000 hours
- **UV resistant:**  
No mechanical degradation or important color variation due to environmental exposure (F1 material per the UL 746C)
- **Sealing:**
  - IP68/69K mated with standard contacts
  - IP68/69K unmated with specific contacts
  - IP68 1 bar / 1 week
  - IP67 mated for evaluation kits

- Moisture proof capability

- **Fluid resistance:**
  - Gas and oil
  - Mineral oil
  - Acid bath
  - Basic bath
  - For other fluids, please consult us

• Halogen free

• RoHS compliant



### Mechanical

- **Durability:**
  - 250 mating in CBC (Current Breaking Capacity) use (UL1977; IEC61984)
  - 500 mating in COC use (IEC61984)
  - 1,000 matings & unmatings tested
- **Coupling system:**
  - Sensitive and audible click
  - Blind mating
- **Touchproof:**  
IP2X in unmated condition (connector equipped with socket contacts)
- **Shock:**  
IK08 according to IEC60984

## Qualification time saving

In today's fast paced environment we are all buying electronic devices with confidence. To achieve such a high level of trust, the regulator had to put in place a wide variety of safety standards. Some are dedicated to the equipment, some to the connection.

SOURIAU designed and qualified the UTL Series according to the UL 1977 and IEC 61984 but we also took into account additional requirements.

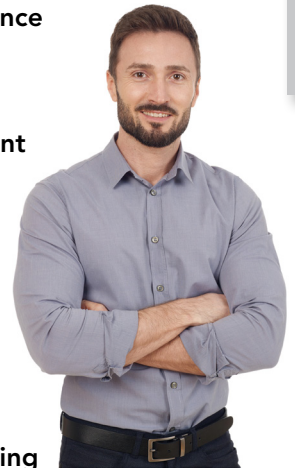
UL 1977 & IEC 61 984 Qualified



Additional Capabilities



- Impact resistance
- Stress relief
- Flame retardant
- Finger probe
- Aging
- Hot wire
- Bending
- Current breaking



In this way, the UTL Series is also compliant with ALL equipment standards mentioned below.



## Easy Equipment Qualification

Now, the qualification of your equipment is much easier.

UL201	Safety standard of industrial equipment
UL 1995	Heating and cooling equipment
UL 2238	Cable assemblies and fittings for industrial control and signal distribution
IEC 60601	Medical equipment
IEC 61010	Safety requirements for electrical equipment for measurement, control, and laboratory use
IEC 60598	Street lights
UL/IEC 60950	Information technology equipment



# UTL SERIES

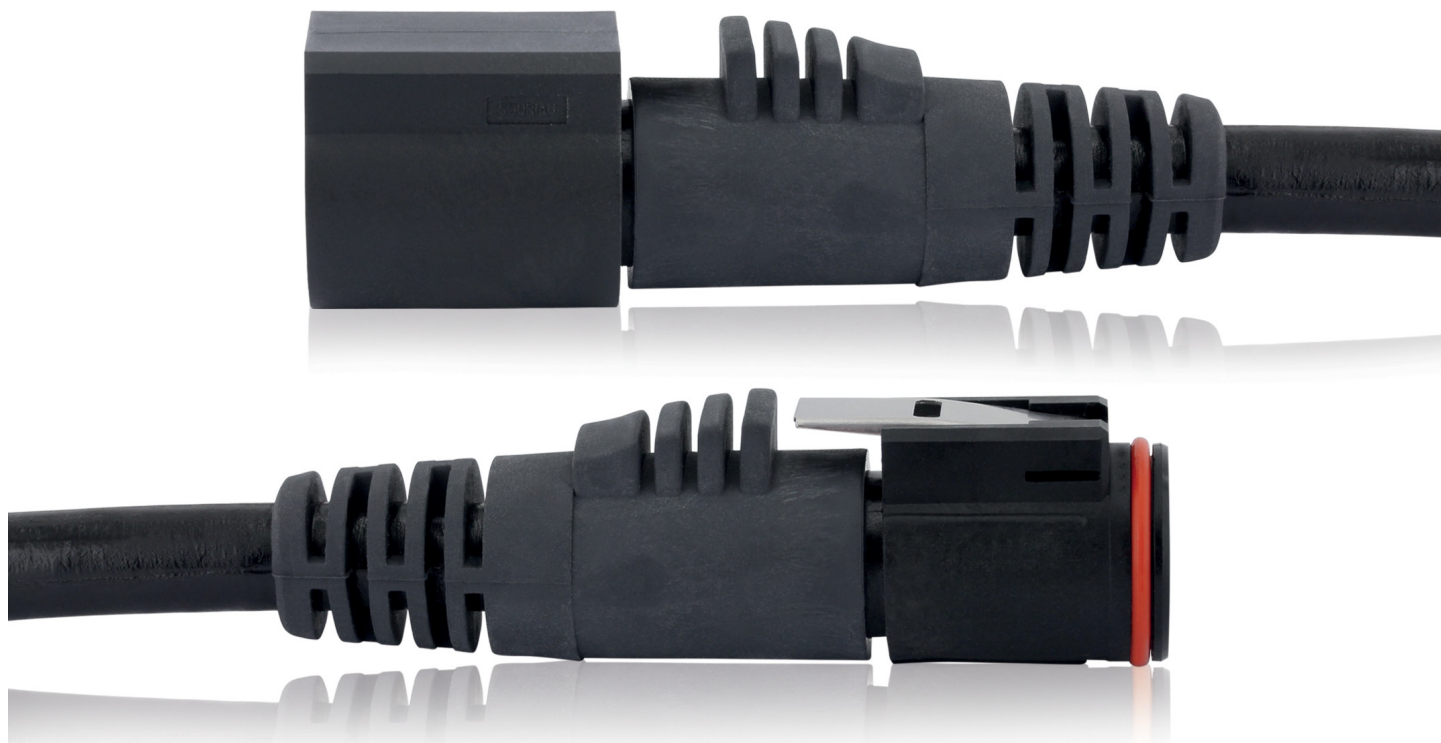
## UTL Series

# Connector

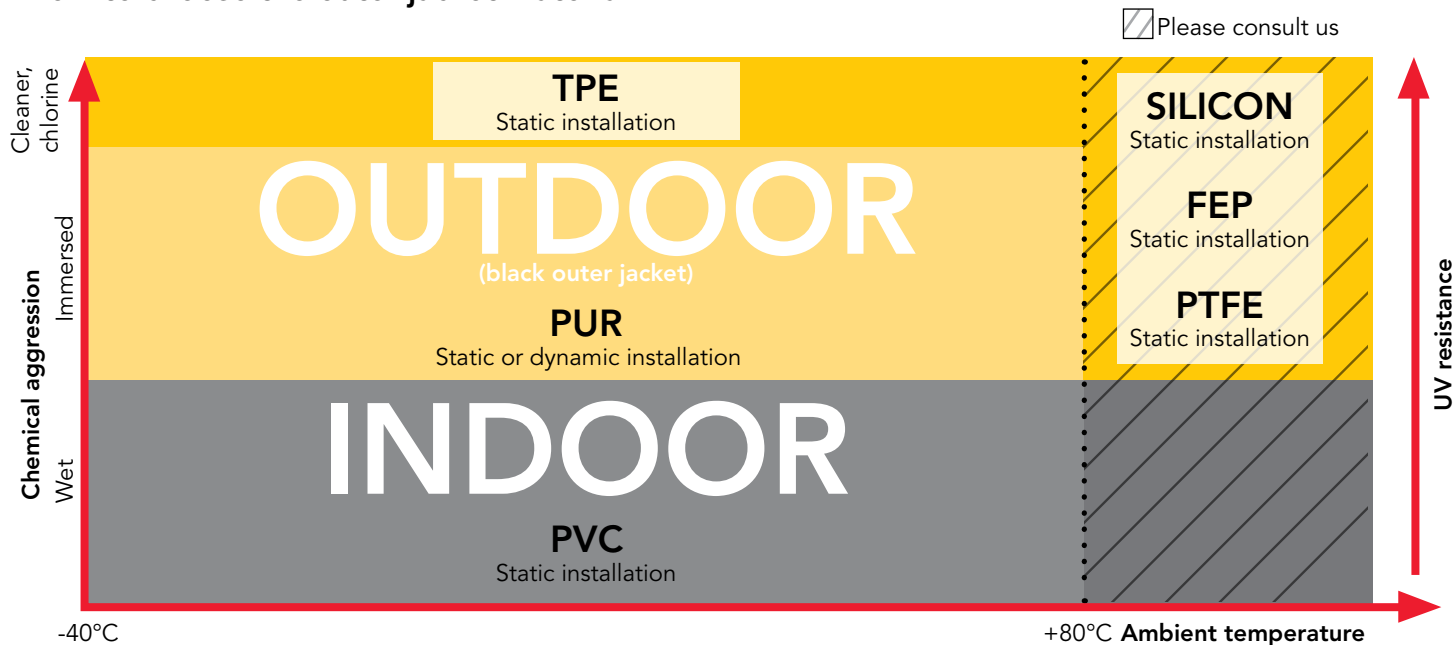
■ Overmolded cable assembly .....	14
■ 3 Contacts + ground 103G1: 16A 600V.....	18
■ 5 Contacts 145: 16A 600V.....	22
■ 6 Contacts 102G1W3: 16A 600V.....	24
■ 8 Contacts 122G1W5: 16A 600V.....	30

## Overmolded cable assembly

SOURIAU has provided connectors for various applications for more than 90 years and has been used in the most extreme environments. Conscious about the difficulty in finding a quick and reliable harness manufacturer, we began our own in-house overmolded cable assembly production. It allows customers to reduce the number of suppliers and to take advantage of the "best in class" quality of the SOURIAU group. Overmolding is a process that further enhances the sealing properties and helps to minimize stress on the cable termination to the connector. In addition, the wires are encapsulated inside the molding which creates a barrier preventing liquid/moisture from entering the equipment through the connector or cable jacket if breached.

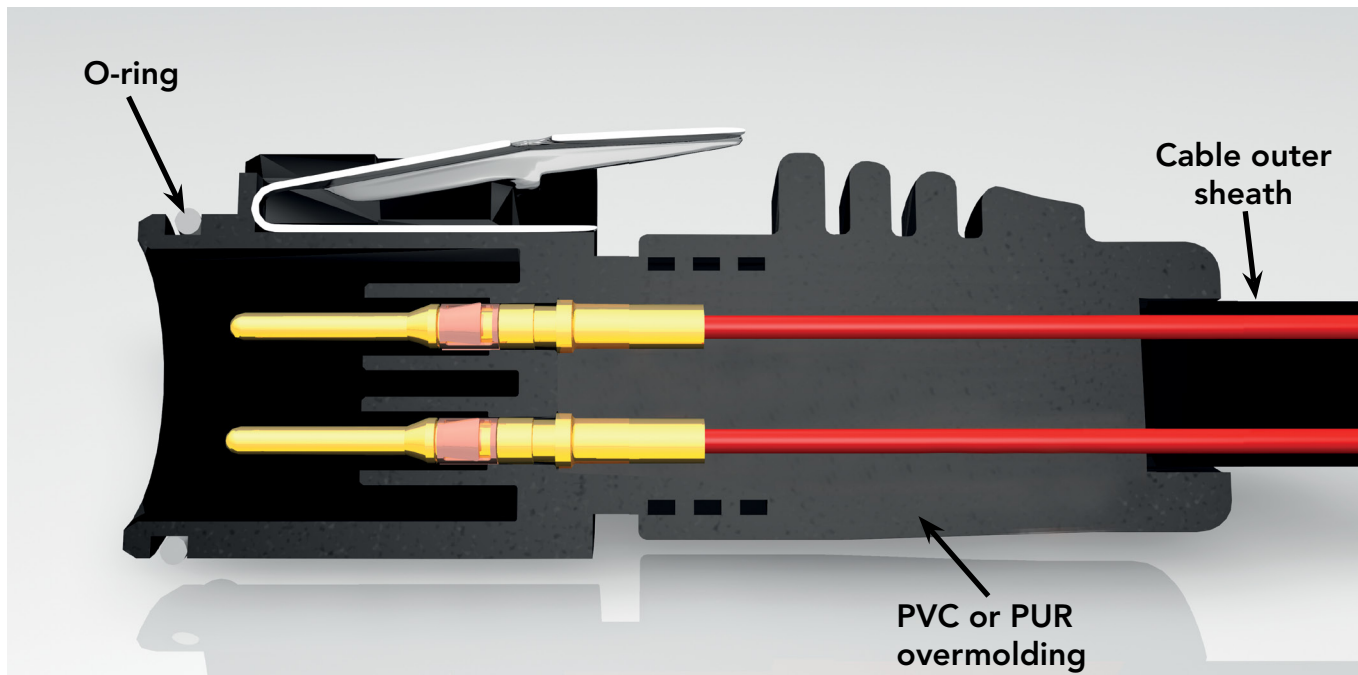


### How to choose the outer jacket material



## Overmolded cable assembly

### Overmolding Description



Connector

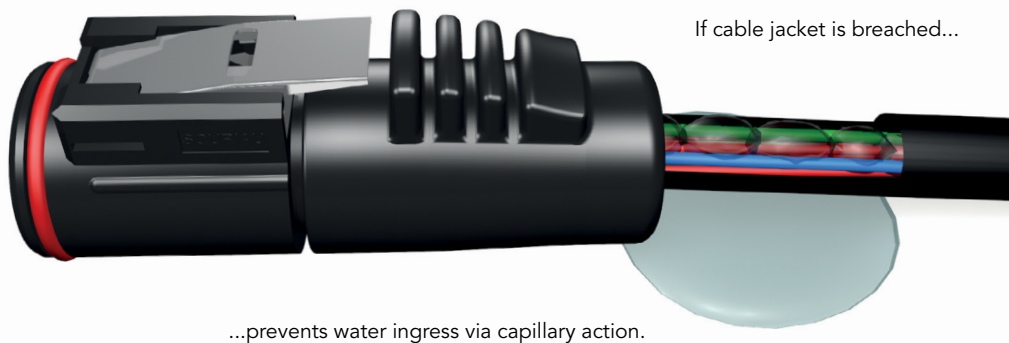
### Connector with cable gland backshell

GOOD



### Overmolded connector

BEST



## UTL overmolded cable assembly



### Description

**Cable - 3 + ground**

- Outer sheath: rubber
- Outer sheath color: black
- Core section: 4x14AWG or 4x16AWG

**Cable - 6 pos.**

- Outer sheath: PVC
- Outer sheath color: black
- Core section:
  - 3x14AWG + 1 Twisted Pair 20AWG + 24AWG Drain or
  - 3x16AWG + 1 Twisted Pair 20AWG + 24AWG Drain

**Cable - 8 pos.**

- Outer sheath: PVC
- Outer sheath color: black
- Core section:
  - 3x14AWG + 2 Twisted Pairs 20AWG + 24AWG Drain or
  - 3x16AWG + 2 Twisted Pairs 20AWG + 24AWG Drain

## Specifications

PLATING	SALT SPRAY	TEMPERATURE	WATERPROOF	COUPLING
No plating	≥1000 H	Up to + 90° C <sup>(1)</sup> with 103G1 (4 pos) Up to + 80° C <sup>(1)</sup> with 102G1W3 (6 pos) Up to + 80° C <sup>(1)</sup> with 122G1W5 (8 pos)	IP68/69K dynamic mated & unmated	1,000 matings/unmatings

(1) See page 17 for more information

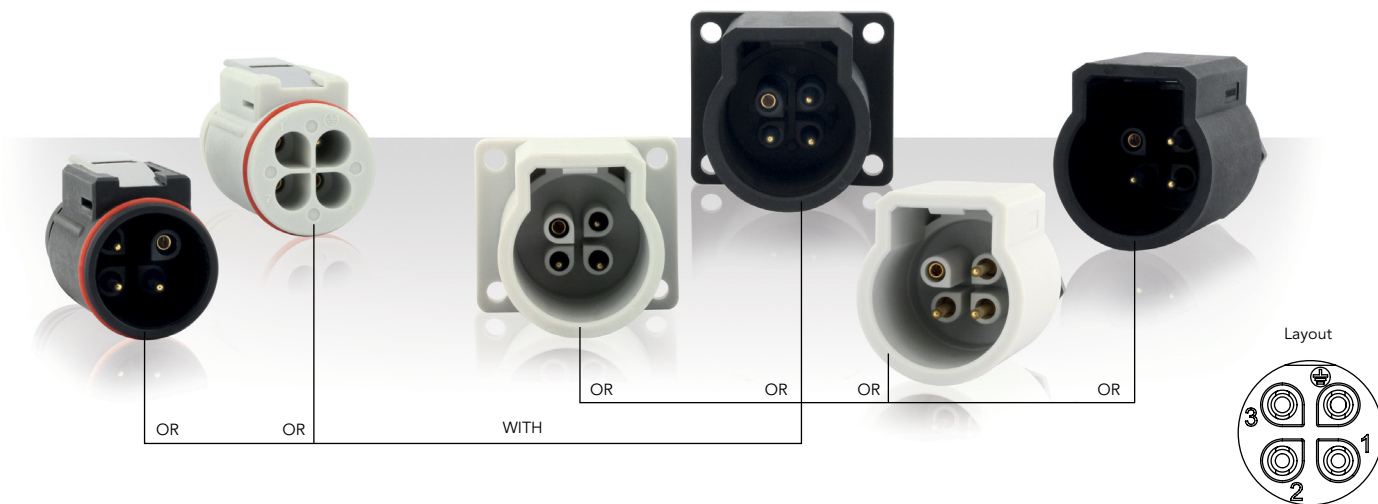


## UTL overmolded cable assembly

Cable Information	
<p><b>3+ ground</b>                      SJOOW: 4 x 14 AWG wire                      SOOW: 4 x 16 AWG wire or 4 x 18 AWG wire</p> <p><b>6 pos.</b>                      PVC Jacket: 3X14 AWG + TP20AWG Shielded with drain                      PVC Jacket: 3X16 AWG + TP20AWG Shielded with drain</p> <p><b>8 pos.</b>                      PVC Jacket: 3X14 AWG + 2 X TP20AWG Shielded with drain                      PVC Jacket: 3X16 AWG + 2 X TP20AWG Shielded with drain</p>	<p><b>Applications</b></p> <ul style="list-style-type: none"> <li>- Industrial Controls</li> <li>- Electronics</li> <li>- Controlled Environment Equipment</li> <li>- LED Lighting</li> <li>- Solar (UV Stable)</li> <li>- Outdoor Displays</li> </ul>

Standardization of American Cable	
<p><b>Nomenclature Key</b></p> <p><b>S:</b> Service Grade (also means extra hard service when not followed by J, V, or P)</p> <p><b>J:</b> Hard Service</p> <p><b>V:</b> Vacuum cleaner cord (also light duty cable)</p> <p><b>P:</b> Parallel cord (also known as zip cord) – Always light duty</p> <p><b>E:</b> Thermoplastic Elastomer (UL/NEC designation ONLY)</p> <p><b>O:</b> Oil Resistant outer jacket</p> <p><b>OO:</b> Oil Resistant outer jacket and insulation</p> <p><b>T:</b> Thermoplastic</p> <p><b>W:</b> Outdoor-includes sunlight resistant jacket and wet location rated conductors (formerly "W-A")</p> <p><b>H:</b> Heater cable</p> <p><b>VW-1:</b> Flame retardant (vertical grade)</p> <p><b>FT2:</b> Flame retardant (horizontal grade)</p>	<p><b>Definitions of Cable Types</b></p> <p><b>SVT:</b> Thermoplastic insulated vacuum cleaner cord, with or without 3rd conductor for grounding purposes; 300V (PVC)</p> <p><b>SJT:</b> Junior hard service, thermoplastic insulated conductors and jacket. 300V (PVC)</p> <p><b>SJTW:</b> Same as SJT except outdoor rated. (PVC)</p> <p><b>SJTO:</b> Same as SJT but oil resistant outer jacket. (PVC)</p> <p><b>SJTOW:</b> Same as SJTO except outdoor rated. (PVC)</p> <p><b>ST:</b> Hard service cord with all thermoplastic construction, 600V (PVC)</p> <p><b>STW:</b> Same as ST except outdoor rated. (PVC)</p> <p><b>STO:</b> Same as ST but with oil resistant outer jacket. (PVC)</p> <p><b>STOW:</b> Same as STO except outdoor rated. (PVC)</p>

## 103G1 (shell size 10, 3 + ground, 4x#16)



### Connector part number

Plugs and receptacles have to be equipped with both contact genders. Ground lines will never be equipped with the same contacts than the neutral and phase.

Contact type	Connector type	Part number			
		Male insert		Female insert	
		Black color	Grey color	Black color	Grey color
Crimp or PCB contacts supplied separately see page 21	Square flange receptacle	UTL0103G1P	UTL0103G1P03	UTL0103G1S	UTL0103G1S03
	Plug	UTL6103G1P	UTL6103G1P03	UTL6103G1S	UTL6103G1S03
	Jam nut receptacle	UTL7103G1P	UTL7103G1P03	UTL7103G1S	UTL7103G1S03
	In line receptacle	UTL1103G1P	UTL1103G1P03	UTL1103G1S	UTL1103G1S03

### Overmolded cable assembly part number

Nbr contacts	Size	Wire size	Description	Length* (FT)	Part number
4	10	14 AWG	D/E assembly 1 male plug & 1 female plug	3	UTLMKT63G1PS3FT
4	10	16 AWG	D/E assembly 1 male plug & 1 female plug	3	UTLMK63G1PS03FT00
4	10	18 AWG	D/E assembly 1 male plug & 1 female plug	3	UTLMK63G1PS03FT01
4	10	14 AWG	S/E assembly 1 female plug	3	UTLMKT63G1S3FT
4	10	16 AWG	S/E assembly 1 female plug	3	UTLMK63G1S03FT00
4	10	18 AWG	S/E assembly 1 female plug	3	UTLMK63G1S03FT01
4	10	14 AWG	S/E assembly 1 male plug	3	UTLMKT63G1P3FT
4	10	16 AWG	S/E assembly 1 male plug	3	UTLMK63G1P03FT00
4	10	18 AWG	S/E assembly 1 male plug	3	UTLMK63G1P03FT01
4	10	14 AWG	D/E assembly 1 male plug & 1 female in line receptacle	3	UTLMKT613G1SP3FT
4	10	16 AWG	D/E assembly 1 male plug & 1 female in line receptacle	3	UTLMK613G1PS03FT00
4	10	18 AWG	D/E assembly 1 male plug & 1 female in line receptacle	3	UTLMK613G1PS03FT01

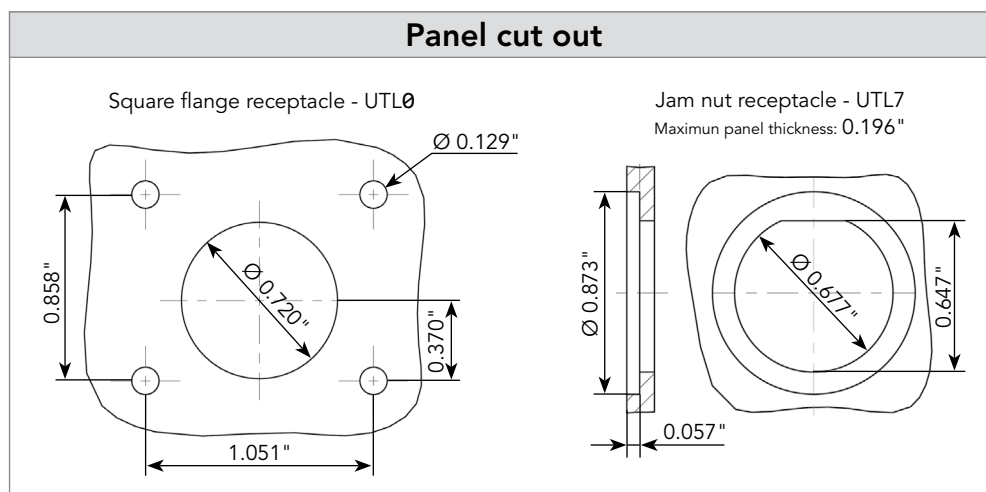
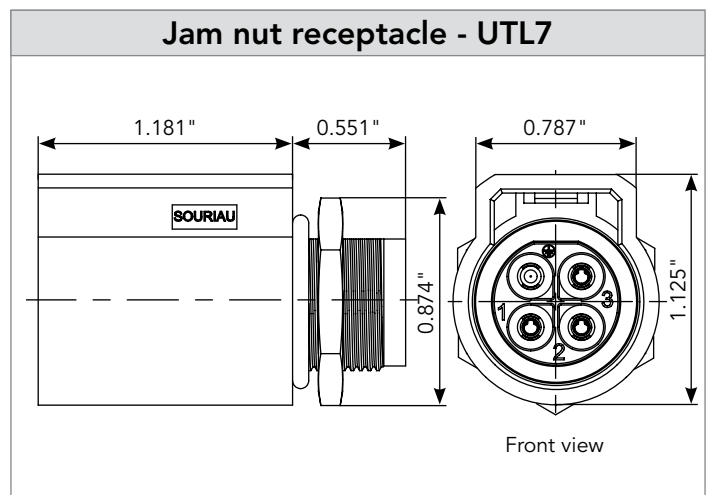
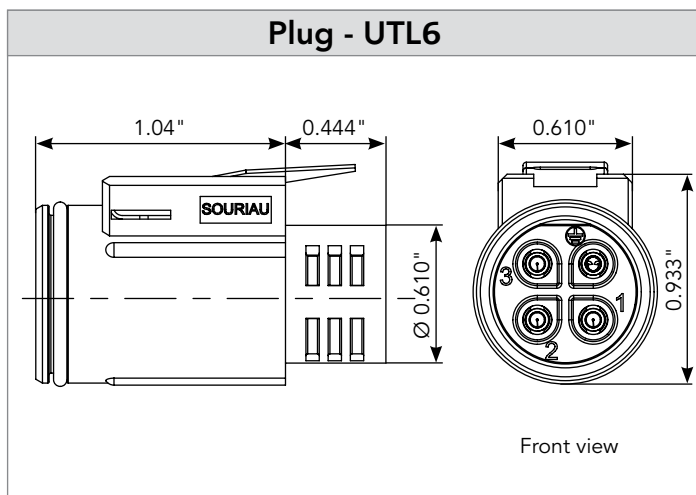
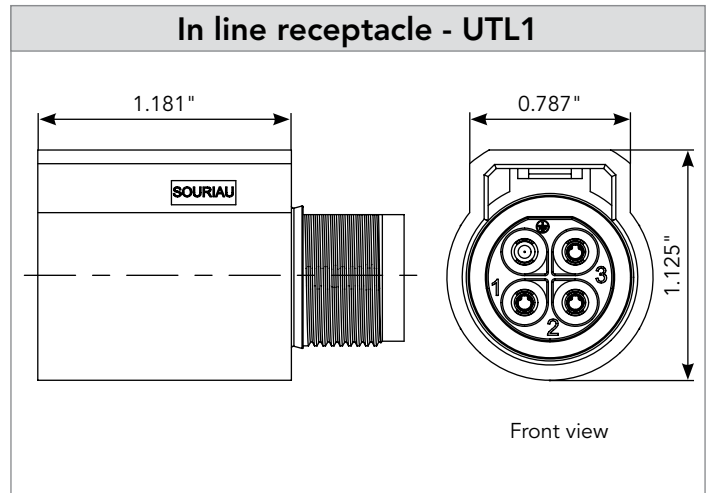
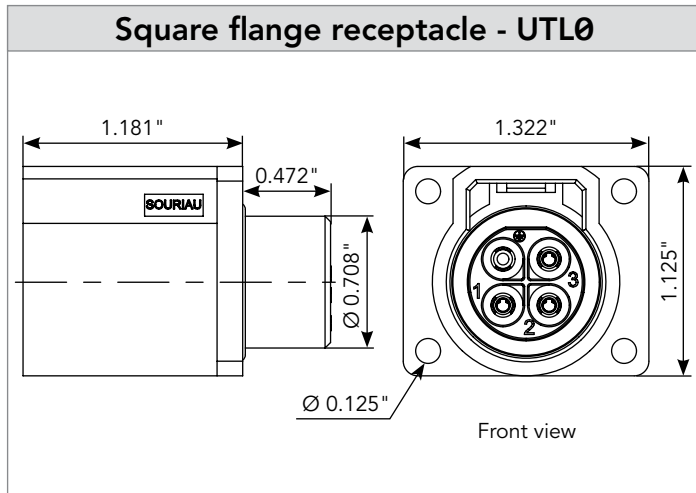
\* Other lengths available: 6 and 12 foot only; e.g. UTLMKT63G1PS6FT for a 6 foot version 14 AWG jumper or UTLMK63G1PS06FT01 for a 6 foot version 18 AWG jumper. Contact us for custom length or design needs.

### Evaluation kit

Evaluation kit is composed of 1 connector, contacts and 1 heat shrink boot for a quick and easy assembly production. For more information please see page 59.

**103G1** (shell size 10, 3 + ground, 4x#16)

**Dimensions** (for mated connector lengths see page 57)



Note: all dimensions are in inches and for information only

# 103G1 (shell size 10, 3 + ground, 4x#16)

## Accessories and tooling

**Dustcap for plug**

IP67



Part number  
UTL610DCG

**Dustcap for receptacle**

IP67



Part number  
UTL10DCG

**Handle (without head)**



Part number  
SHANDLES

**Tool kit**



Part number  
TOOLKIT

**Dustcap for male receptacle**


IP68/69K



Part number  
UTL103G1PDCG68

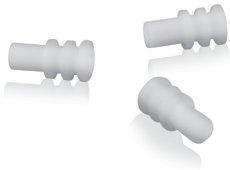
**Dustcap for female receptacle**

IP68/69K



Part number  
UTL103G1SDCG68

**Grommet**



Part number  
SWSFILLERPLUG

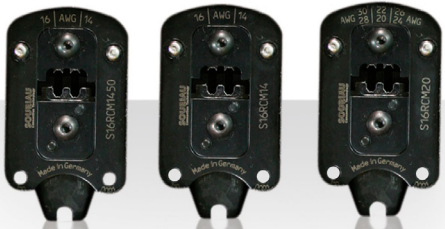
**Extraction tool #16**



Part number  
RX2025GE1

See instruction page 52

**Head crimp tooling (without shandles)**



Contacts	Contact size	Part number of head	
RM/RC 28M1K <sup>(1)</sup>	Standard contacts #16 Ø 0.062"	S16RCM20*	
RM/RC 24M9K <sup>(1)</sup>		S16RCM20*	
RM/RC 20M13K <sup>(1)</sup>		S16RCM20*	
RM/RC 20M12K <sup>(1)</sup>		S16RCM20*	
RM/RC 16M23K <sup>(1)</sup>		S16RCM16*	
RM/RC 14M30K <sup>(1)</sup>		S16RCM14*	
SM/SC 24ML1TK6 <sup>(1)</sup>		S16SCM20*	
SM/SC 20ML1TK6 <sup>(1)</sup>		S16SCM20*	
SM/SC 16ML1TK6 <sup>(1)</sup>		S16SCML1*	
SM/SC 14ML1TK6 <sup>(1)</sup>		S16SCML1*	
SM/SC 16ML11TK6 <sup>(1)</sup>		S16SCML11*	
RM/RC 16M25K		S16RCM1625*	
RM/RC 14M25K		S16RCM1425*	
RMDXK10D28K		Coaxial contacts #16 Ø 0.062"	M10S1J with die set & stop bushing see page 78 to 84
RCDXK1D28K			
RM/RC DX60xxD28K			
RM/RC DXK10D28 + york090			
RM/RC DX60xxD28			

(1): Example of plating, for other plating options see page 38  
\* Heads to be used with handle PN: SHANDLES



# 103G1 (shell size 10, 3 + ground, 4x#16)

## Contacts

#16	Contact type	AWG	Part number		Max wire Ø	Max insulator Ø
			Male	Female		
Crimp	Machined	30-28	RM28M1K <sup>(1)</sup>	RC28M1K <sup>(1)</sup>	0.021"	0.039"
		26-24	RM24M9K <sup>(1)</sup>	RC24M9K <sup>(1)</sup>	0.031"	0.062"
		22-20	RM20M13K <sup>(1)</sup>	RC20M13K <sup>(1)</sup>	0.046"	0.070"
		22-20	RM20M12K <sup>(1)</sup>	RC20M12K <sup>(1)</sup>	0.046"	0.086"
		20-16	RM16M23K <sup>(1)</sup>	RC16M23K <sup>(1)</sup>	0.070"	0.125"
		16-14	RM14M30K <sup>(1)</sup>	RC14M30K <sup>(1)</sup>	0.089"	0.125"
	Machined sealed (with O-Ring for IP68/69K unmated)	20-16	RM16M25K	RC16M25K	0.070"	0.125"
		16-14	RM14M25K	RC14M25K	0.089"	0.125"
	Stamped & Formed reeled contacts See note (2) for loose piece	26-24	SM24M1TK6 <sup>(1)(2)</sup>	SC24M1TK6 <sup>(1)(2)</sup>	-	0.035"-0.050"
		22-20	SM20M1TK6 <sup>(1)(2)</sup>	SC20M1TK6 <sup>(1)(2)</sup>	-	0.046"-0.081"
18-16		SM16M1TK6 <sup>(1)(2)</sup>	SC16M1TK6 <sup>(1)(2)</sup>	-	0.125"	
18-16		SM16M11TK6 <sup>(1)(2)</sup>	SC16M11TK6 <sup>(1)(2)</sup>	-	0.118"	
14		SM14M1TK6 <sup>(1)(2)</sup>	SC14M1TK6 <sup>(1)(2)</sup>	-	0.125"	
Coaxial	Cable multipiece	see pages 41, 78 to 79	RMDXK10D28	RCDXK1D28	-	-
	Cable monocrimp		RMDX60xxD28	RCDX60xxD28	-	-
	Twisted pair multipiece		RMDXK10D28 + york090	RCDXK1D28 + york090	-	-
	Twisted pair monocrimp		RMDX60xxD28	RCDX60xxD28	-	-
PCB	For male insert	-	RM20M12E8K	RC20M12E84K	-	-
	For female insert	-	RM20M12E8K	RC20M12E83K	-	-

(1): Example of plating, for other plating options see page 38

Note: all dimensions are in inches

(2): For loose piece contact packaging, place "L" in part number. Example: SM20ML1TK6

### REMINDER

Plugs and receptacles have to be equipped with both contact genders.  
EX: UTL6103G1P = 3 x SM16M1TK6 (signal) + 1 x SC16M1TK6 (ground)

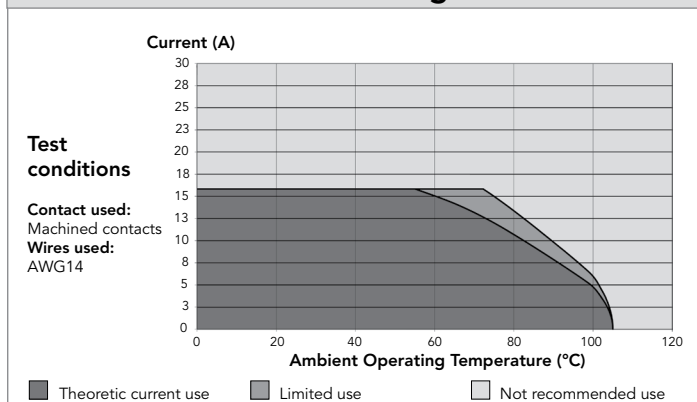
### Electrical characteristics

**UL**  
16A 600V V0  
13A 277V for CBC use

**CN**  
13A 600V  
10A 277V for CBC use

**IEC**  
16A 500V 6KV 4  
13A 250V 4KV 4 for CBC use

### UTL103G1 derating curves



**145** (shell size 14, 5x#16)



**Connector part number**

Contact type	Connector type	Part number	
		Male insert	Female insert
Crimp contacts to be ordered separately see page 25	Plug with backshell*	-	<b>UTL6JC145S</b>
	Plug without backshell	-	<b>UTL6145S</b>
	Jam-nut without backshell	<b>UTL7145P</b>	-
Screw termination contacts, delivered with connector (1)	Plug with backshell*	-	<b>UTL6JC145SSCR</b>
	Plug without backshell	-	<b>UTL6145SSCR</b>

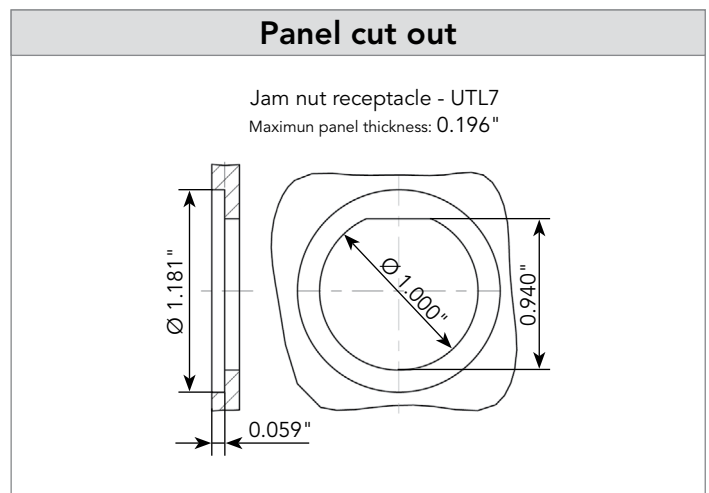
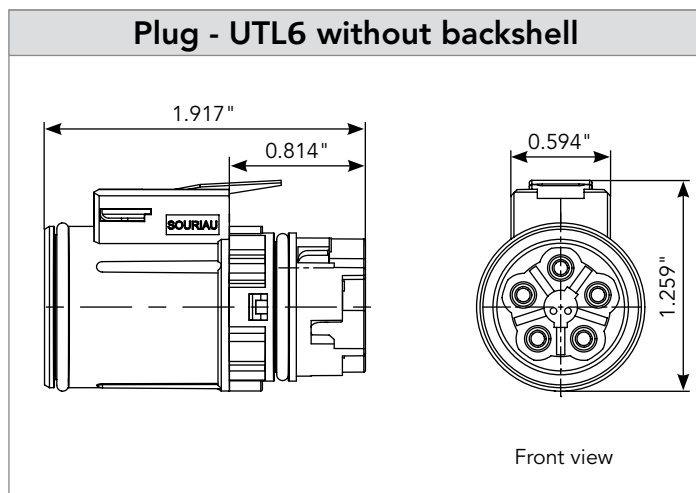
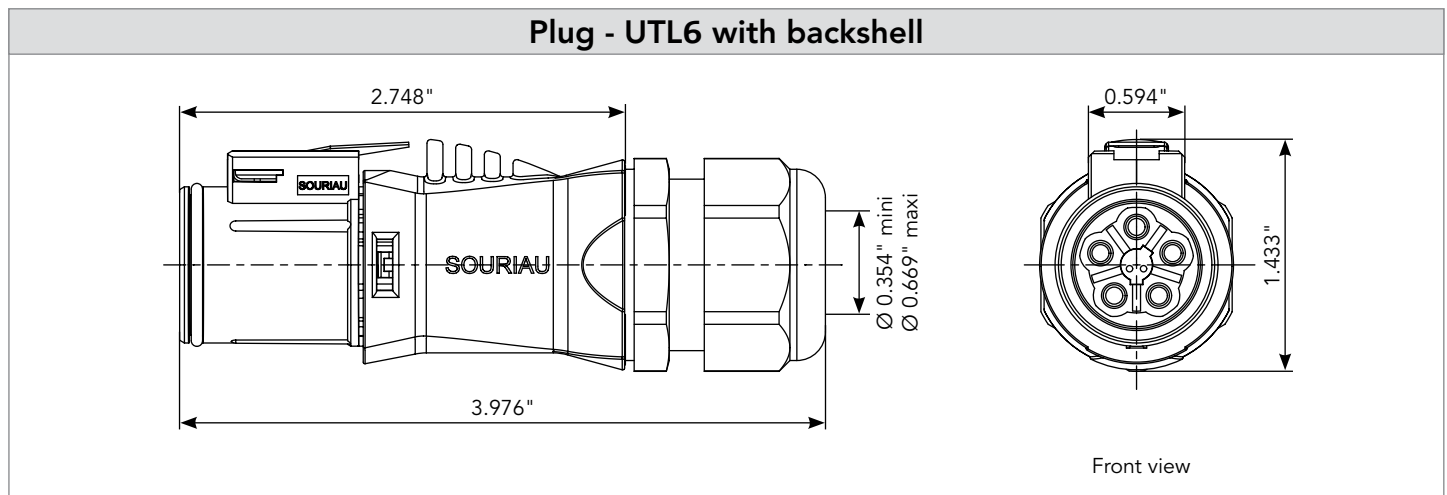
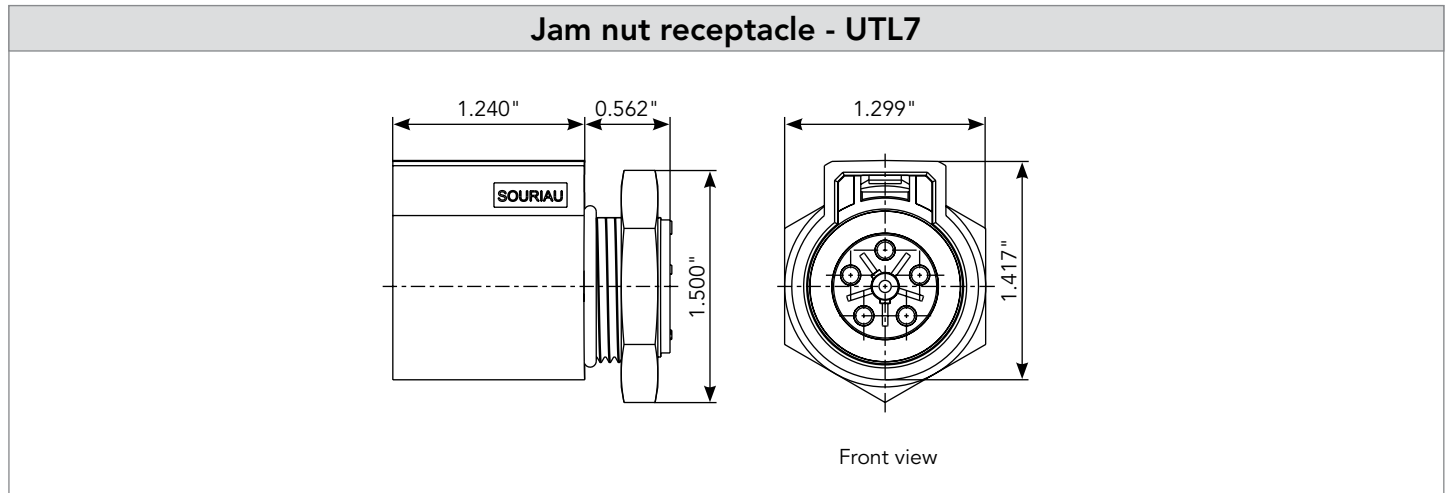
\* Non removable backshell when mated. IP68/69K not guaranteed if backshell removed.  
 1: Screw termination version (from AWG18 to AWG14) or crimp version.

**Overmolded cable assembly**

Please consult us.

**145** (shell size 14, 5x#16)

**Dimensions** (for mated connector lengths see page 58)



145 (shell size 14, 5x#16)


## Tooling

**Handle (without head)**



Part number  
**SHANDLES**

**Tool kit**



Part number  
**TOOLKIT**

**Head crimp tooling (without handles)**

Contacts	Contact size	Part number of head
RM/RC 28M1K <sup>(1)</sup>	Standard contacts #16 Ø 1.6mm	S16RCM20*
RM/RC 24M9K <sup>(1)</sup>		S16RCM20*
RM/RC 20M13K <sup>(1)</sup>		S16RCM20*
RM/RC 20M12K <sup>(1)</sup>		S16RCM20*
RM/RC 16M23K <sup>(1)</sup>		S16RCM16*
RM/RC 14M30K <sup>(1)</sup>		S16RCM14*
SM/SC 24ML1TK6 <sup>(1)</sup>		S16SCM20*
SM/SC 20ML1TK6 <sup>(1)</sup>		S16SCM20*
SM/SC 16ML1TK6 <sup>(1)</sup>		S16SCML1*
SM/SC 14ML1TK6 <sup>(1)</sup>		S16SCML1*
SM/SC 16ML11TK6 <sup>(1)</sup>		S16SCML11*

(1): Example of plating, for other plating options see page 38  
\* Heads to be used with handle PN: SHANDLES



**Insertion tool #16**



Part number  
**RTM205**

**Extraction tool #16**



Part number  
**RX2025GE1**

## Accessory

**Backshell**



Part number  
**UTL14JC**



# 145 (shell size 14, 5x#16)

## Contacts

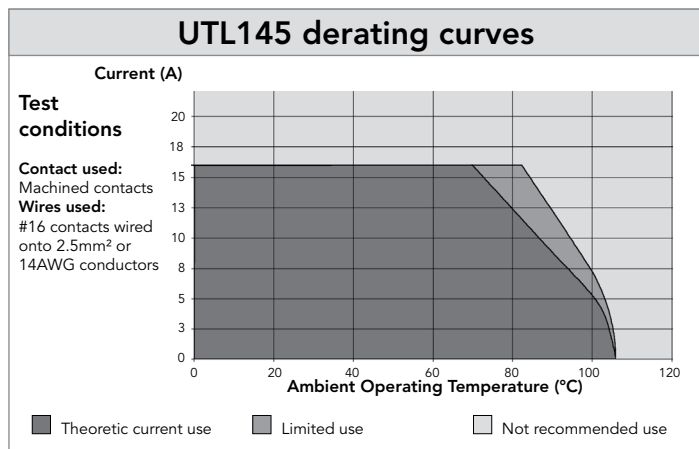
#16	Contact type	AWG	Part number		Max wire Ø	Max insulator Ø
			Male	Female		
Crimp	Machined	30-28	RM28M1K <sup>(1)</sup>	RC28M1K <sup>(1)</sup>	0.021"	0.039"
		26-24	RM24M9K <sup>(1)</sup>	RC24M9K <sup>(1)</sup>	0.031"	0.062"
		22-20	RM20M13K <sup>(1)</sup>	RC20M13K <sup>(1)</sup>	0.046"	0.070"
		22-20	RM20M12K <sup>(1)</sup>	RC20M12K <sup>(1)</sup>	0.046"	0.086"
		20-16	RM16M23K <sup>(1)</sup>	RC16M23K <sup>(1)</sup>	0.070"	0.125"
		16-14	RM14M30K <sup>(1)</sup>	RC14M30K <sup>(1)</sup>	0.090"	0.125"
	Machined sealed (with O-Ring for IP68/69K unmated)	20-16	RM16M25K	RC16M25K	0.070"	0.125"
		16-14	RM14M25K	RC14M25K	0.089"	0.125"
	Stamped & Formed reeled contacts See note (2) for loose piece	26-24	SM24M1TK6 <sup>(1)(2)</sup>	SC24M1TK6 <sup>(1)(2)</sup>	-	0.035"-0.062"
		22-20	SM20M1TK6 <sup>(1)(2)</sup>	SC20M1TK6 <sup>(1)(2)</sup>	-	0.047"-0.082"
18-16		SM16M1TK6 <sup>(1)(2)</sup>	SC16M1TK6 <sup>(1)(2)</sup>	-	0.125"	
18-16		SM16M11TK6 <sup>(1)(2)</sup>	SC16M11TK6 <sup>(1)(2)</sup>	-	0.118"	
14		SM14M1TK6 <sup>(1)(2)</sup>	SC14M1TK6 <sup>(1)(2)</sup>	-	0.125"	
Coaxial	Cable multipiece	see pages 41, 78 to 79	RMDXK10D28	RCDXK1D28	-	-
	Cable monocrimp		RMDX60xxD28	RCDX60xxD28	-	-
	Twisted pair multipiece		RMDXK10D28 + york090	RCDXK1D28 + york090	-	-
	Twisted pair monocrimp		RMDX60xxD28	RCDX60xxD28	-	-

(1): Example of plating, for other plating options see page 38

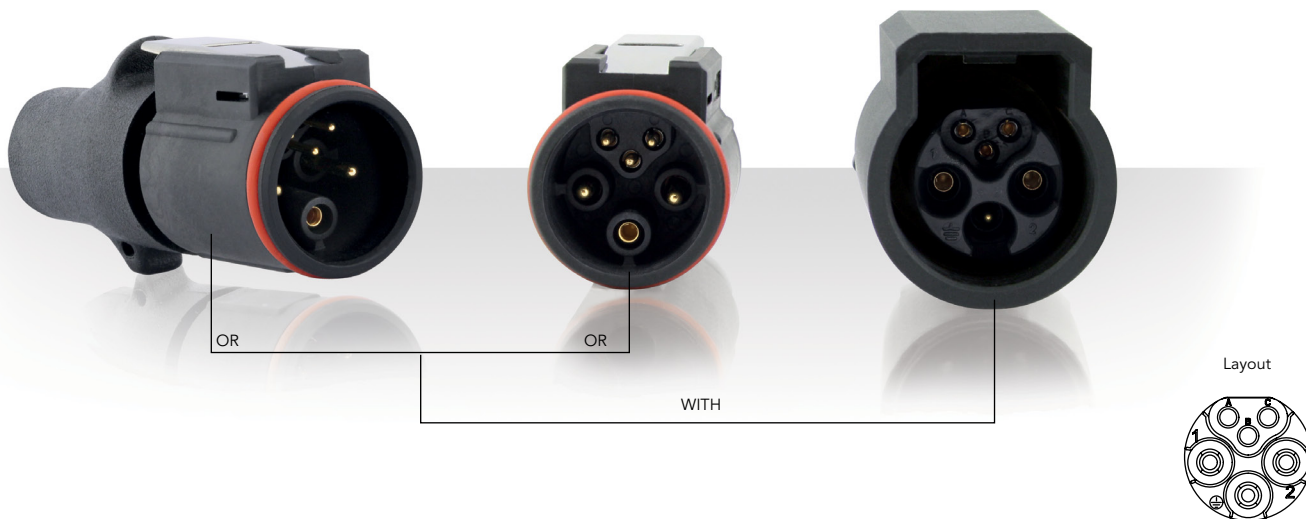
(2): For loose piece contact packaging, place "L" in part number. Example: SM20ML1TK6

Note: all dimensions are in inches

Electrical characteristics
<p><b>UL</b> 16A 600V V0 13A 277V for CBC use</p> <p><b>CN</b> 13A 600V 10A 277V for CBC use</p> <p><b>IEC</b> 16A 500V 4KV 4 13A 250V 2.5KV 4 for CBC use</p>



## 102G1W3 (shell size 10, 3x#16 + 3x#20)



### Connector part number

Plugs and receptacles have to be equipped with both contact genders. Ground lines will never be equipped with the same contacts than the neutral and phase.

Contact type	Connector type	Part number			
		Male insert with female ground		Female insert with male ground	
		Black color	Grey color	Black color	Grey color
Crimp contacts supplied separately see page 29	Plug	UTL6102G1W3P	UTL6102G1W3P03	UTL6102G1W3S	UTL6102G1W3S03
	Jam nut receptacle	UTL7102G1W3P	UTL7102G1W3P03	UTL7102G1W3S	UTL7102G1W3S03
	In line receptacle	UTL1102G1W3P	UTL1102G1W3P03	UTL1102G1W3S	UTL1102G1W3S03
Contacts included	Terminating resistance plug - 120Ω	UTL6102G1W3PCDMX	-	UTL6102G1W3SCDMX	-
	Terminating resistance receptacle - 120Ω	UTL1102G1W3PCDMX	-	UTL1102G1W3SCDMX	-

The terminating resistance is only designed to ensure the 120 Ohms impedance on the signal lines, no contact loaded in the power positions. #20 contacts and plastic plate are not removable.

### Overmolded cable assembly part number

Layout	Wire size	Overmolded harnesses, straight ending Connector	Length* (FT)	Part number
102G1W3	14 AWG	D/E assembly 1 male plug & 1 female plug	3	UTL6V2G1W3PS03FT0
		S/E assembly 1 female plug	3	UTL6V2G1W3S03FT0
		S/E assembly 1 male plug	3	UTL6V2G1W3P03FT0
		D/E assembly 1 male plug & 1 female in line receptacle	3	UTL61V2G1W3PS03FT0
	16 AWG	D/E assembly 1 male plug & 1 female plug	3	UTL6V2G1W3PS03FT1
		S/E assembly 1 female plug	3	UTL6V2G1W3S03FT1
		S/E assembly 1 male plug	3	UTL6V2G1W3P03FT1
		D/E assembly 1 male plug & 1 female in line receptacle	3	UTL61V2G1W3PS03FT1

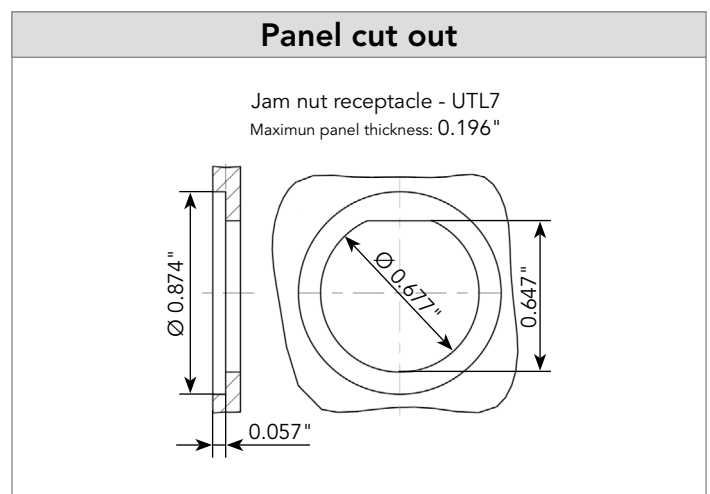
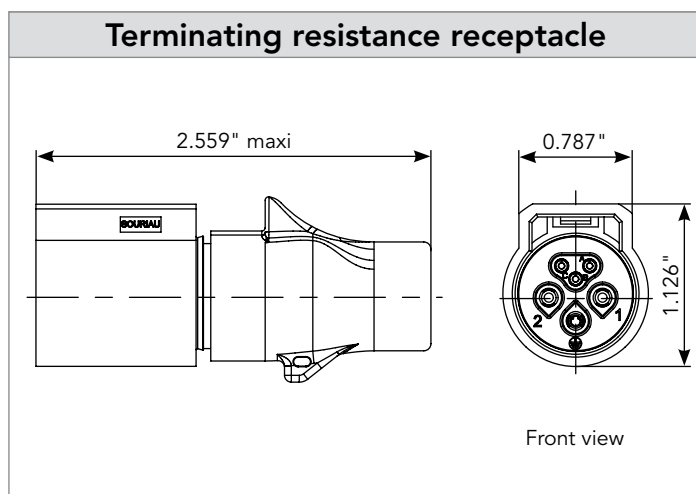
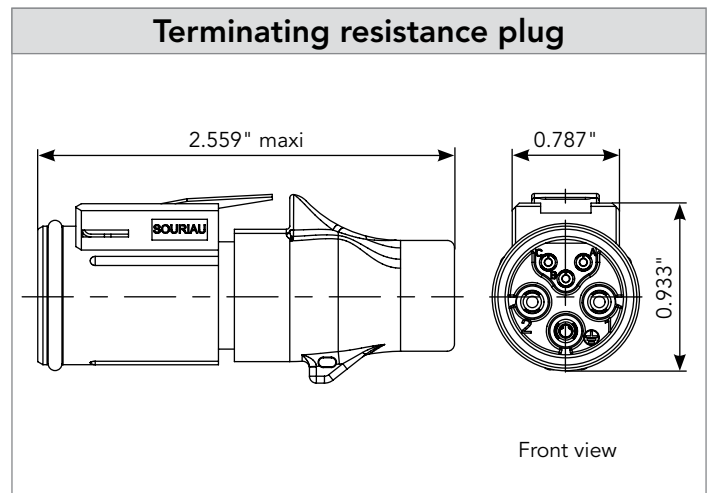
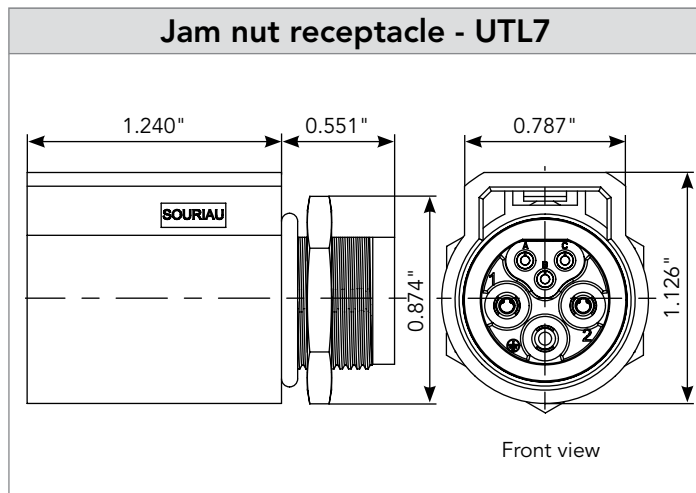
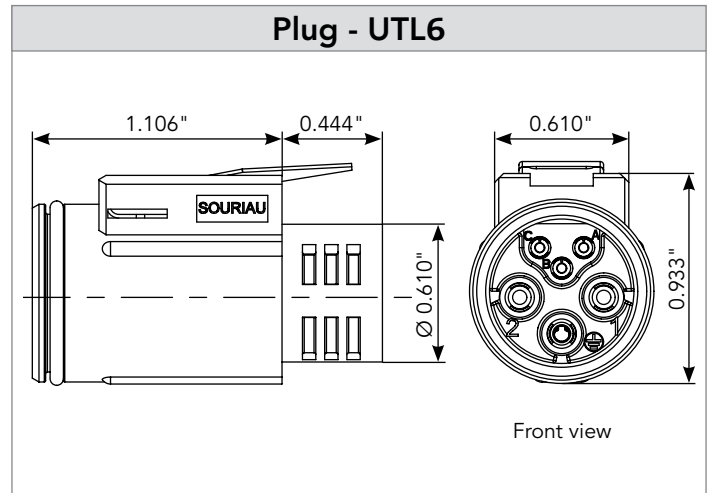
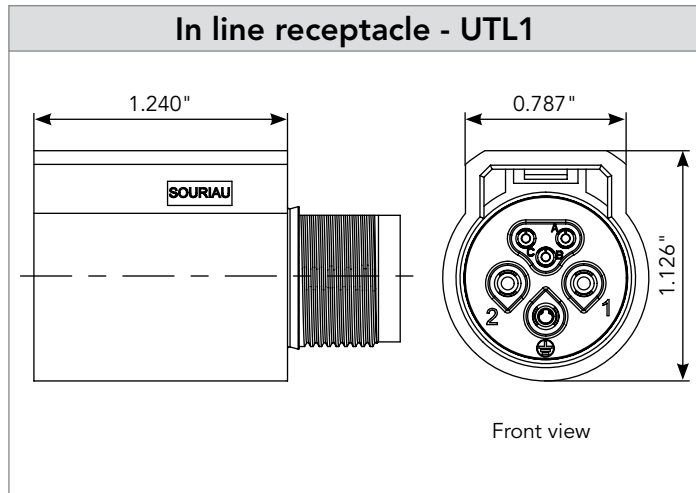
\* Other stock lengths available: 6 and 12 foot only: e.g. UTL6V2G1W3P06FT0 for a 6 foot version 14 AWG  
Contact us for custom length or design needs.

### Evaluation kit

Evaluation kit is composed of 1 connector, contacts and 1 heat shrink boot for a quick and easy assembly production. For more information please see page 60.

102G1W3 (shell size 10, 3x#16 + 3x#20)

Dimensions (for mated connector lengths see page 57)



Note: all dimensions are in inches and for information only

# 102G1W3 (shell size 10, 3x#16 + 3x#20)

## Accessories and tooling

**Dustcap for plug**


IP67



Part number  
UTL610DCG

**Dustcap for receptacle**

IP67




Part number  
UTL10DCG

**Handle (without head)**



Part number  
SHANDLES

**Tool kit**



Part number  
TOOLKIT

**Dustcap for male receptacle**


IP68/69K



Part number  
UTL102G1W3PDCG68

**Dustcap for female receptacle**

IP68/69K



Part number  
UTL102G1W3SDCG68

**Extraction tool #16**



Part number  
RX2025GE1

**Insertion tool #20**



Part number  
RTM205

**Head crimp tooling (without shandles)**

Contacts	Contact size	Part number of head
RM/RC 24W3K <sup>(1)</sup>	Standard contacts #20 Ø 0.039"	S20RCM*
RM/RC 20W3K <sup>(1)</sup>		S20RCM*
RM/RC 18W3K <sup>(1)</sup>		S20RCM*
SM/SC 24WL3 <sup>(1)(2)</sup>		S20SCM20*
SM/SC 20WL3 <sup>(1)(2)</sup>		S20SCM20*
RM/RC 28M1K <sup>(1)</sup>	Standard contacts #16 Ø 0.062"	S16RCM20*
RM/RC 24M9K <sup>(1)</sup>		S16RCM20*
RM/RC 20M13K <sup>(1)</sup>		S16RCM20*
RM/RC 20M12K <sup>(1)</sup>		S16RCM20*
RM/RC 16M23K <sup>(1)</sup>		S16RCM16*
RM/RC 14M30K <sup>(1)</sup>		S16RCM14*
SM/SC 24ML1TK6 <sup>(1)</sup>		S16SCM20*
SM/SC 20ML1TK6 <sup>(1)</sup>		S16SCM20*
SM/SC 16ML1TK6 <sup>(1)</sup>		S16SCML1*
SM/SC 14ML1TK6 <sup>(1)</sup>		S16SCML1*
SM/SC 16ML11TK6 <sup>(1)</sup>		S16SCML11*
RMDXK10D28K	Coaxial contacts #16 Ø 0.062"	M10S1J with die set & stop bushing see page 78 to 84
RCDXK1D28K		
RM/RC DX60xxD28K		
RM/RC DXK10D28 + york090		
RM/RC DX60xxD28		

(1): Example of plating, for other plating options see page 38  
\* Heads to be used with handle PN: SHANDLES

(2): loose contact



# 102G1W3 (shell size 10, 3x#16 + 3x#20)

## Contacts

#20	Contact type	AWG	Part number		Max wire Ø	Max insulator Ø		
			Male	Female				
Crimp	Machined	26-24	RM24W3K <sup>(1)</sup>	RC24W3K <sup>(1)</sup>	0.031"	0.062"		
		22-20	RM20W3K <sup>(1)</sup>	RC20W3K <sup>(1)</sup>	0.045"	0.062"		
		20-18	RM18W3K <sup>(1)</sup>	RC18W3K <sup>(1)</sup>	0.051"	0.082"		
	Stamped & Formed reeled contacts See note (2) for loose piece	26-24	SM24W3TK6 <sup>(1)(2)</sup>	SC24W3TK6 <sup>(1)(2)</sup>	-	0.035"-0.062"		
		26-24	SM24W3S26 <sup>(1)(2)</sup>	SC24W3S25 <sup>(1)(2)</sup>	-	0.035"-0.062"		
		22-20	SM20W3TK6 <sup>(1)(2)</sup>	SC20W3TK6 <sup>(1)(2)</sup>	-	0.047"-0.082"		
		22-20	SM20W3S26 <sup>(1)(2)</sup>	SC20W3S25 <sup>(1)(2)</sup>	-	0.047"-0.082"		
Crimp	Machined	30-28	RM28M1K <sup>(1)</sup>	RC28M1K <sup>(1)</sup>	0.021"	0.039"		
		26-24	RM24M9K <sup>(1)</sup>	RC24M9K <sup>(1)</sup>	0.031"	0.062"		
		22-20	RM20M13K <sup>(1)</sup>	RC20M13K <sup>(1)</sup>	0.046"	0.070"		
		22-20	RM20M12K <sup>(1)</sup>	RC20M12K <sup>(1)</sup>	0.046"	0.086"		
		20-16	RM16M23K <sup>(1)</sup>	RC16M23K <sup>(1)</sup>	0.070"	0.125"		
		16-14	RM14M30K <sup>(1)</sup>	RC14M30K <sup>(1)</sup>	0.089"	0.125"		
	Stamped & Formed reeled contacts See note (2) for loose piece	26-24	SM24M1TK6 <sup>(1)(2)</sup>	SC24M1TK6 <sup>(1)(2)</sup>	-	0.035"-0.050"		
		22-20	SM20M1TK6 <sup>(1)(2)</sup>	SC20M1TK6 <sup>(1)(2)</sup>	-	0.046"-0.081"		
		18-16	SM16M1TK6 <sup>(1)(2)</sup>	SC16M1TK6 <sup>(1)(2)</sup>	-	0.125"		
		18-16	SM16M11TK6 <sup>(1)(2)</sup>	SC16M11TK6 <sup>(1)(2)</sup>	-	0.118"		
		14	SM14M1TK6 <sup>(1)(2)</sup>	SC14M1TK6 <sup>(1)(2)</sup>	-	0.125"		
		Coaxial	Cable multipiece	see pages 41, 78 to 79	RMDXK10D28	RCDXK1D28	-	-
			Cable monocrimp		RMDX60xxD28	RCDX60xxD28	-	-
Twisted pair multipiece	RMDXK10D28 + york090		RCDXK1D28 + york090		-	-		
Twisted pair monocrimp	RMDX60xxD28		RCDX60xxD28		-	-		

(1): Example of plating, for other plating options see page 38

(2): For loose piece contact packaging, place "L" in part number. Example: SM20ML1TK6

Note: all dimensions are in inches

### REMINDER

Plugs and receptacles have to be equipped with both contact genders.

EX: UTL6102W3G1P = 2 x SM16M1TK6 (power) + 1 x SC16M1TK6 (ground) + 3 x SM20W3TK6 (signal)

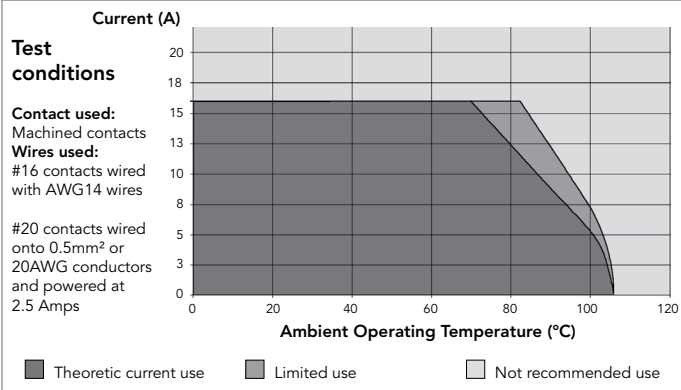
### Electrical characteristics

**UL**  
16A 600V V0  
13A 277V for CBC use

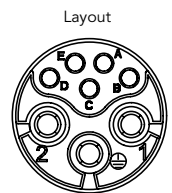
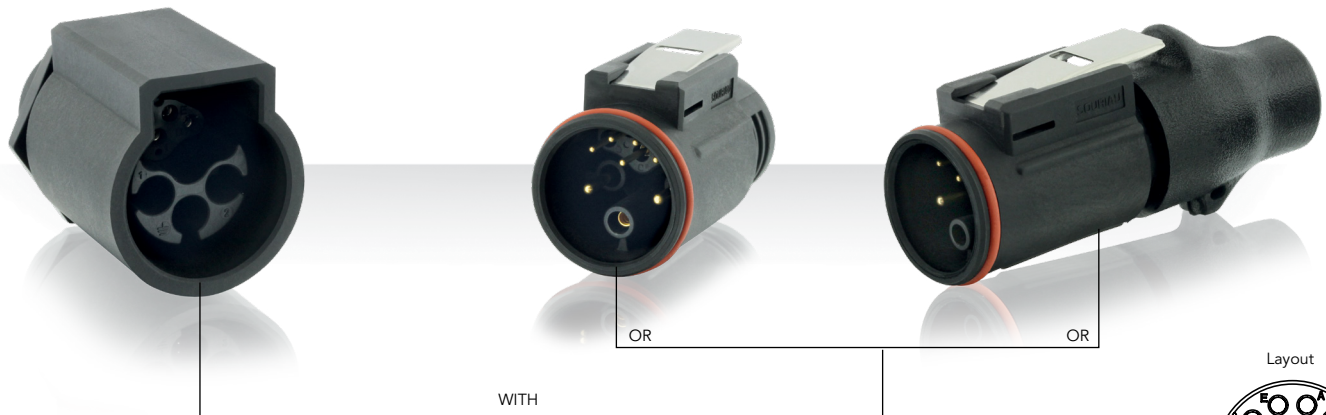
**CN**  
13A 600V  
10A 277V for CBC use

**IEC**  
16A 500V 6KV 4  
13A 250V 4KV 4 for CBC use

### UTL102G1W3 derating curves



## 122G1W5 (shell size 12, 3x#16 + 5x#20)



### Connector part number

Plugs and receptacles have to be equipped with both contact genders. Ground lines will never be equipped with the same contacts than the neutral and phase.

Contact type	Connector type	Part number	
		Male insert with female ground	Female insert with male ground
Crimp contacts supplied separately see page 33	Plug	UTL6122G1W5P	UTL6122G1W5S
	Jam nut receptacle	UTL7122G1W5P	UTL7122G1W5S
	In line receptacle	UTL1122G1W5P	UTL1122G1W5S
Contacts included	Terminating resistance plug - 120Ω	UTL6122G1W5PCDMX	UTL6122G1W5SCDMX
	Terminating resistance receptacle - 120Ω	UTL1122G1W5PCDMX	UTL1122G1W5SCDMX

The terminating resistance is only designed to ensure the 120 Ohms impedance on the signal lines, no contact loaded in the power positions. #20 contacts and plastic plate are not removable.

### Overmolded cable assembly part number

Layout	Wire size	Overmolded harnesses, straight ending Connector	Length* (FT)	Part number
122G1W5	14 AWG	D/E assembly 1 male plug & 1 female plug	3	UTL6122G1W5PS03FT0
		S/E assembly 1 female plug	3	UTL6122G1W5S03FT0
		S/E assembly 1 male plug	3	UTL6122G1W5P03FT0
		D/E assembly 1 male plug & 1 female in line receptacle	3	UTL6V122G1W5PS03F0
	16 AWG	D/E assembly 1 male plug & 1 female plug	3	UTL6122G1W5PS03FT1
		S/E assembly 1 female plug	3	UTL6122G1W5S03FT1
		S/E assembly 1 male plug	3	UTL6122G1W5P03FT1
		D/E assembly 1 male plug & 1 female in line receptacle	3	UTL6V122G1W5PS03F1

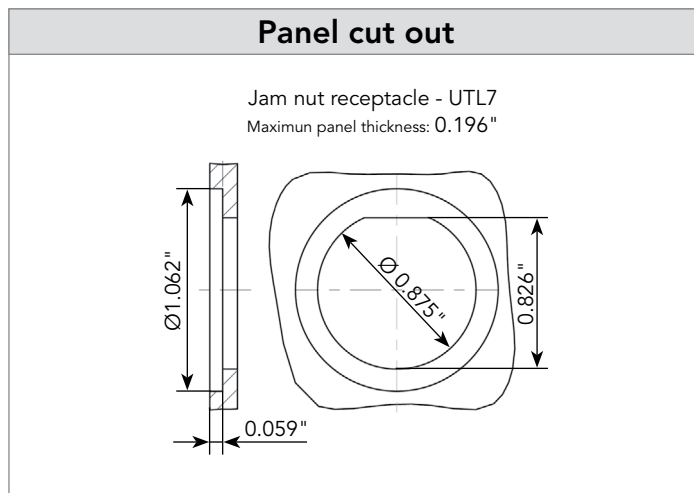
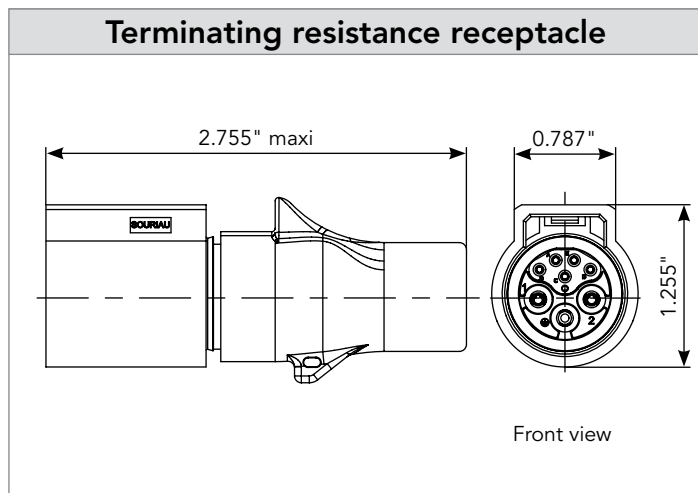
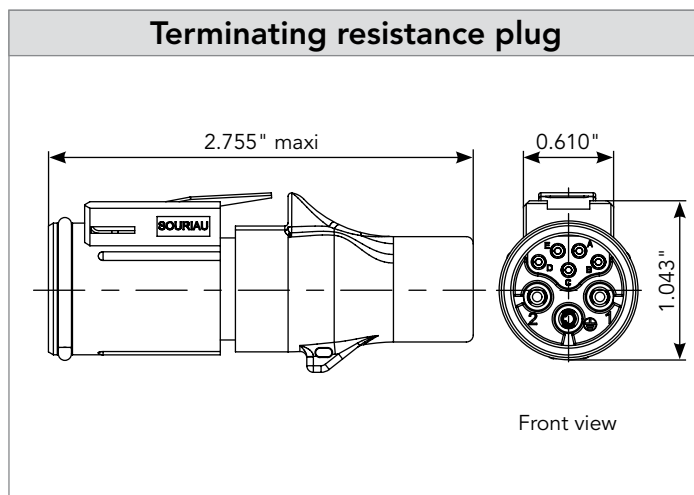
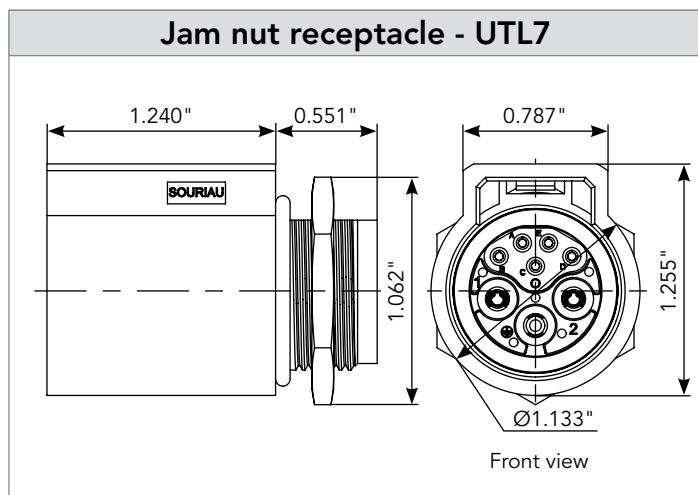
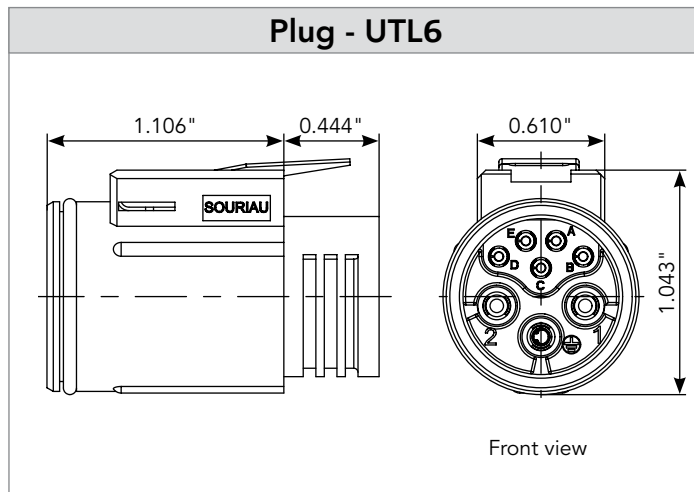
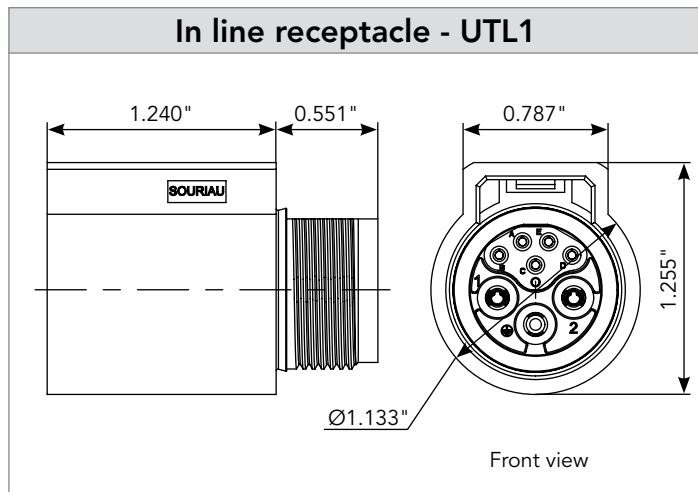
\* Other stock lengths available: 6 and 12 foot only: e.g. UTL6V122G1W5PS06F0 for a 6 foot version 14 AWG Contact us for custom length or design needs.

### Evaluation kit

Evaluation kit is composed of 1 connector, contacts and 1 heat shrink boot for a quick and easy assembly production. For more information please see page 61.

**122G1W5** (shell size 12, 3x#16 + 5x#20)

**Dimensions** (for mated connector lengths see page 57)



Note: all dimensions are in inches and for information only

# 122G1W5 (shell size 12, 3x#16 + 5x#20)

## Accessories and tooling

**Dustcap for plug**

IP67



Part number  
UTL612DCG

**Dustcap for receptacle**

IP67




Part number  
UTL12DCG

**Handle (without head)**



Part number  
SHANGLES

**Tool kit**



Part number  
TOOLKIT

**Extraction tool #16**



Part number  
RX2025GE1

**Insertion tool #20**



Part number  
RTM205

**Head crimp tooling (without handle)**

Contacts	Contact size	Part number of head	
RM/RC 24W3K <sup>(1)</sup>	Standard contacts #20 Ø 0.039"	S20RCM*	
RM/RC 20W3K <sup>(1)</sup>		S20RCM*	
RM/RC 18W3K <sup>(1)</sup>		S20RCM*	
SM/SC 24WL3 <sup>(1)(2)</sup>		S20SCM20*	
SM/SC 20WL3 <sup>(1)(2)</sup>		S20SCM20*	
RM/RC 28M1K <sup>(1)</sup>	Standard contacts #16 Ø 0.062"	S16RCM20*	
RM/RC 24M9K <sup>(1)</sup>		S16RCM20*	
RM/RC 20M13K <sup>(1)</sup>		S16RCM20*	
RM/RC 20M12K <sup>(1)</sup>		S16RCM20*	
RM/RC 16M23K <sup>(1)</sup>		S16RCM16*	
RM/RC 14M30K <sup>(1)</sup>		S16RCM14*	
SM/SC 24ML1TK6 <sup>(1)</sup>		S16SCM20*	
SM/SC 20ML1TK6 <sup>(1)</sup>		S16SCM20*	
SM/SC 16ML1TK6 <sup>(1)</sup>		S16SCML1*	
SM/SC 14ML1TK6 <sup>(1)</sup>		S16SCML1*	
SM/SC 16ML11TK6 <sup>(1)</sup>		S16SCML11*	
RMDXK10D28K		Coaxial contacts #16 Ø 0.062"	M10S1J with die set & stop bushing see page 78 to 84
RCDXK1D28K			
RM/RC DX60xxD28K			
RM/RC DXK10D28 + york090			
RM/RC DX60xxD28			

(1): Example of plating, for other plating options see page 38  
 (2): loose contact  
 \* Heads to be used with handle PN: SHANGLES





# 122G1W5 (shell size 12, 3x#16 + 5x#20)

## Contacts

#20	Contact type	AWG	Part number		Max wire Ø	Max insulator Ø		
			Male	Female				
Crimp	Machined	26-24	RM24W3K <sup>(1)</sup>	RC24W3K <sup>(1)</sup>	0.031"	0.062"		
		22-20	RM20W3K <sup>(1)</sup>	RC20W3K <sup>(1)</sup>	0.045"	0.062"		
		20-18	RM18W3K <sup>(1)</sup>	RC18W3K <sup>(1)</sup>	0.051"	0.082"		
	Stamped & Formed reeled contacts See note (2) for loose piece	26-24	SM24W3TK6 <sup>(1)(2)</sup>	SC24W3TK6 <sup>(1)(2)</sup>	-	0.035"-0.062"		
		26-24	SM24W3S26 <sup>(1)(2)</sup>	SC24W3S25 <sup>(1)(2)</sup>	-	0.035"-0.062"		
		22-20	SM20W3TK6 <sup>(1)(2)</sup>	SC20W3TK6 <sup>(1)(2)</sup>	-	0.047"-0.082"		
		22-20	SM20W3S26 <sup>(1)(2)</sup>	SC20W3S25 <sup>(1)(2)</sup>	-	0.047"-0.082"		
Crimp	Machined	30-28	RM28M1K <sup>(1)</sup>	RC28M1K <sup>(1)</sup>	0.021"	0.039"		
		26-24	RM24M9K <sup>(1)</sup>	RC24M9K <sup>(1)</sup>	0.031"	0.062"		
		22-20	RM20M13K <sup>(1)</sup>	RC20M13K <sup>(1)</sup>	0.046"	0.070"		
		22-20	RM20M12K <sup>(1)</sup>	RC20M12K <sup>(1)</sup>	0.046"	0.086"		
		20-16	RM16M23K <sup>(1)</sup>	RC16M23K <sup>(1)</sup>	0.070"	0.125"		
		16-14	RM14M30K <sup>(1)</sup>	RC14M30K <sup>(1)</sup>	0.089"	0.125"		
	Stamped & Formed reeled contacts See note (2) for loose piece	26-24	SM24M1TK6 <sup>(1)(2)</sup>	SC24M1TK6 <sup>(1)(2)</sup>	-	0.035"-0.050"		
		22-20	SM20M1TK6 <sup>(1)(2)</sup>	SC20M1TK6 <sup>(1)(2)</sup>	-	0.046"-0.081"		
		18-16	SM16M1TK6 <sup>(1)(2)</sup>	SC16M1TK6 <sup>(1)(2)</sup>	-	0.125"		
		18-16	SM16M11TK6 <sup>(1)(2)</sup>	SC16M11TK6 <sup>(1)(2)</sup>	-	0.118"		
		14	SM14M1TK6 <sup>(1)(2)</sup>	SC14M1TK6 <sup>(1)(2)</sup>	-	0.125"		
		Coaxial	Cable multipiece	see pages 41, 78 to 79	RMDXK10D28	RCDXK1D28	-	-
			Cable monocrimp		RMDX60xxD28	RCDX60xxD28	-	-
			Twisted pair multipiece		RMDXK10D28 + york090	RCDXK1D28 + york090	-	-
Twisted pair monocrimp	RMDX60xxD28		RCDX60xxD28		-	-		

(1): Example of plating, for other plating options see page 38

(2): For loose piece contact packaging, place "L" in part number. Example: SM20ML1TK6

Note: all dimensions are in inches

### REMINDER

Plugs and receptacles have to be equipped with both contact genders.

EX: UTL6122G1W5P = 2 x SM16M1TK6 (power) + 1 x SC16M1TK6 (ground) + 5 x SM20W3TK6 (signal)

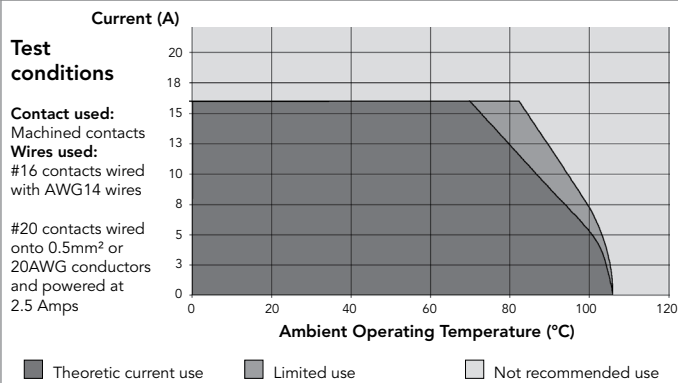
### Electrical characteristics

**UL**  
16A 600V V0  
13A 277V for CBC use

**CN**  
13A 600V  
10A 277V for CBC use

**IEC**  
16A 500V 6KV 4  
13A 250V 4KV 4 for CBC use

### UTL122G1W5 derating curves



# UTL SERIES

# Contacts

■ Description .....	36
■ Contact plating selector guide .....	37
■ Contact selector guide .....	38
■ Packaging .....	38
■ Crimp contacts .....	39
■ #16 coaxial contacts .....	41
■ PCB contacts .....	42

## Contacts



### Description

The UTL series is delivered without contacts (crimp version). This series offers the unique possibility to use the same contact in any layout as long as it receives the same active part size.

This provides the benefit of standardization and subsequent reduced inventory costs. In addition, it eliminates the need for added tooling and simplifies the assembly process. SOURIAU contacts are designed for simple snap-in installation and further eliminate the need for insertion tooling.

Crimp contacts are available in different versions:



• Machined



• Stamped & Formed



• Coaxial

The UTL series 3 + ground can be equipped with PCB contacts

# Contacts

## Contact plating selector guide

Once the contact size has been selected, the next step is to decide on which type to use. SOURIAU offers two main types of electrical contacts:

- Machined
- Stamped & Formed

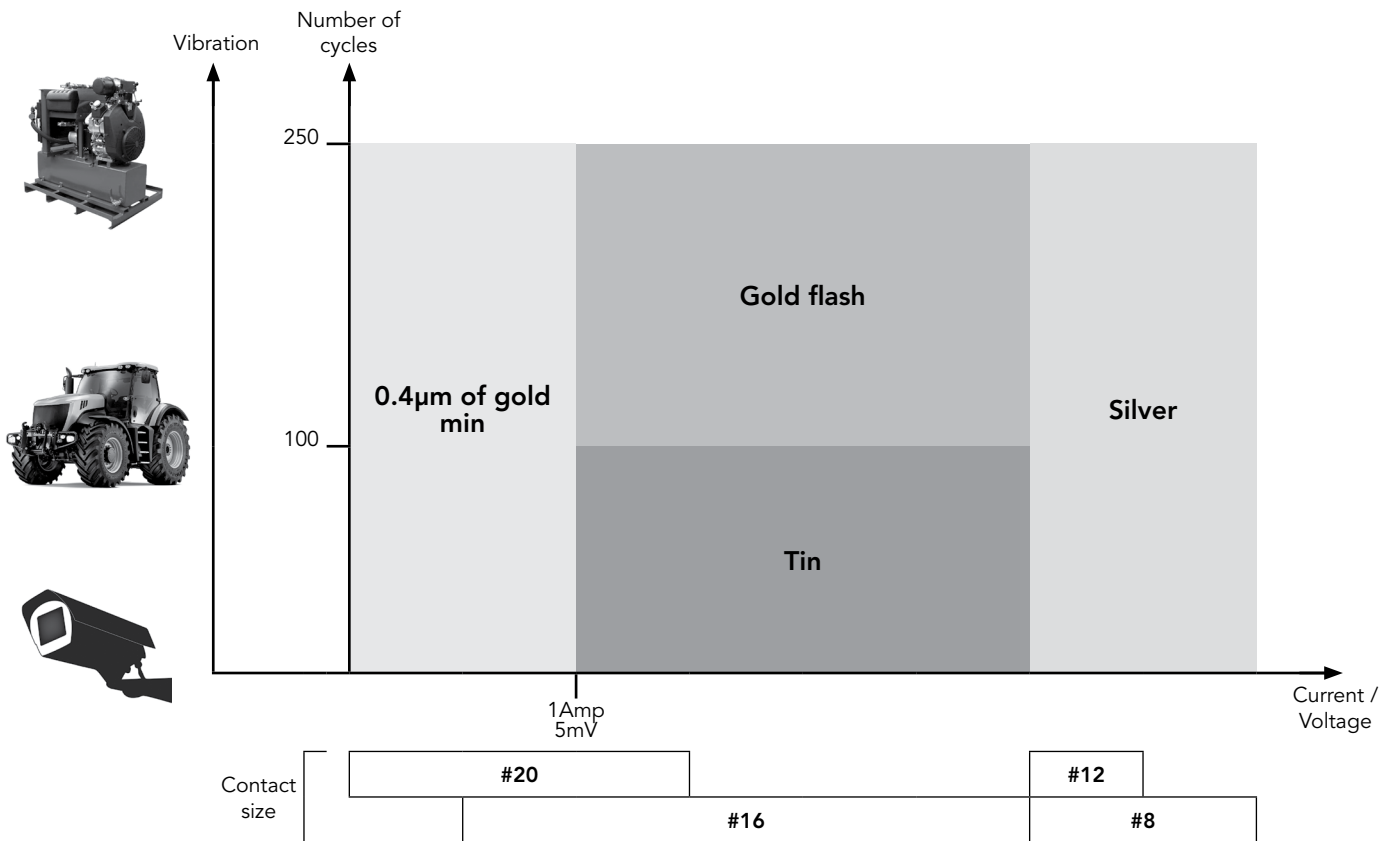
Machined contacts are generally chosen as a better solution for power applications or when lower quantities are needed.

Stamped & formed contacts offer the ability to be crimped automatically which makes them more suitable for high volume production applications.

The next decision to make is: What plating should I choose?

The graph below can help guide you to plating recommendations based on application, mating cycles and current/voltage needs.

Note: do not mix different plating (i.e. tin plated pin contacts with gold plated socket contacts).



## Contacts

### Plating selector guide

#### Contacts supplied separately

Electrical characteristics: contact resistance		
#20 Ø0.039"	Machined	< 6mΩ
	Stamped and Formed	< 6mΩ
#16 Ø0.062"	Machined	< 3mΩ
	Stamped and Formed	< 6mΩ

#### Stamped & Formed contacts

Contact size	Plating code	Plating description	
		Active area	Other areas
#20 Ø0.039"	S25 (female)	0.75µ Gold min over nickel	Gold flash over Nickel
	S26 (male)	0.75µ Gold min over nickel	Gold flash over Nickel
	TK6	0.5µ - 2.5µ Sn pre-plated	-
#16 Ø0.062"	S31	0.4µ Gold over nickel	Crimped area: 1.3µ Tin min over Nickel Other areas: 1.3µ Tin min
	S18	0.75µ Gold min over nickel	
	S6	0.75µ Gold min over nickel	Gold flash over Nickel
	D70	0.13µ Gold min over nickel	
	TK6	0.5µ - 2,5µ Sn pre-plated	

#### Machined contacts

Contact size	Contact type	Plating code	Plating description
			Active area
#20 Ø0.039"	Machined	K	Gold over Nickel 0.4 µ mini
#16 Ø0.062"	Machined	K	Gold over Nickel 0.4 µ mini
		J	Gold over Nickel 0.05 µ mini
		T	Tin 3 µ (-0/+2)
		D28*	Gold over Nickel 0.75 µ mini

\* For Coax contacts only

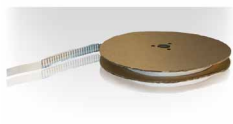
### Packaging - Size contacts #20 & #16

Due to the wide variety of applications, contact packaging is offered for small series (bulk package) and high volume production (reeled contacts):

#### Stamped & Formed



• 25 pieces loose package



• 3,000 pieces reeled

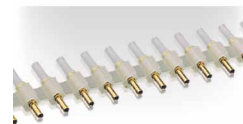
#### Machined contacts



• 50 pieces bulk package



• 1,000 pieces bulk package



• 2,000 pieces reeled

Note : 1,000 pieces bulk package available by adding 1000 at the end of the part number: e.g. RC16M23K1000  
2,000 pieces reeled package available by adding K at the beginning of the part number: e.g. KRC16M23K

## Crimp contacts

### Standard version



Contact size	Type	Wire size		Part number		Max wire Ø	Max insulator Ø	Available plating see page 38
		AWG	mm <sup>2</sup>	Male	Female			
#20 Ø0.039"	Machined	26-24	0.13-0.20	RM24W3K	RC24W3K	0.031"	0.062" max	K
	Stamped & Formed	26-24	0.13-0.25	SM24W3 - (1)	SC24W3 - (1)	-	0.035"-0.062"	TK6 S25 (female) S26 (male)
				SM24WL3 - (2)	SC24WL3 - (2)	-		
	Machined	22-20	0.32-0.52	RM20W3K	RC20W3K	0.045"	0.062" max	K
	Stamped & Formed	22-20	0.35-0.5	SM20W3 - (1)	SC20W3 - (1)	-	0.047"-0.082"	TK6 S25 (female) S26 (male)
SM20WL3 - (2)				SC20WL3 - (2)	-			
Machined	20-18	0.50-0.93	RM18W3K	RC18W3K	0.051"	0.082" max	K	
#16 Ø0.062"	Machined	30-28	0.05-0.08	RM28M1-	RC28M1-	0.021"	0.039"	K, J
	Machined	26-24	0.13-0.2	RM24M9-	RC24M9-	0.031"	0.062"	K, J
	Stamped & Formed	26-24	0.13-0.25	SM24M1 - (1)	SC24M1 - (1)	0.035"-0.050"	No insulation grip	TK6, S31, S18
				SM24ML1 - (2)	SC24ML1 - (2)			
	Machined	22-20	0.32-0.52	RM20M13-	RC20M13-	0.045"	0.070"	K, J
				RM20M12-	RC20M12-		0.086"	
	Stamped & Formed	22-20	0.35-0.5	SM20M1 - (1)	SC20M1 - (1)	0.046"-0.081"	No insulation grip	TK6, S31, S18
				SM20ML1 - (2)	SC20ML1 - (2)			
	Machined	20-16	0.52-1.5	RM16M23-	RC16M23-	0.070"	0.125"	K, J
	Machined Sealed contact	20-16	0.52-1.5	RM16M25K	RC16M25K	0.070"	0.125"	K
	Stamped & Formed	18-16	0.8-1.5	SM16M1 - (1)	SC16M1 - (1)	0.118"	No insulation grip	TK6, S31, S18
				SM16ML1 - (2)	SC16ML1 - (2)			
	Stamped & Formed	18-16	0.8-1.5	SM16M11 - (1)	SC16M11 - (1)	0.078"-0.118"	Insulation grip	TK6, S31, S18
SM16ML11 - (2)				SC16ML11 - (2)				
Machined	16-14	1.5-2.5	RM14M30-	RC14M30-	0.090"	0.125"	K, J	
Stamped & Formed	14	2.0-2.5	SM14M1 - (1)	SC14M1 - (1)	0.125"	No insulation grip	TK6, S31, S18	
			SM14ML1 - (2)	SC14ML1 - (2)				
Machined Sealed contact	16-14	1.5-2.5	RM14M25K	RC14M25K	0.090"	0.125"	K	

(1) contact reeled (2) loose contact  
 Exemple: RM16M3K - Size #16, Machined, 20 AWG wire, gold plating.

#### REMINDER

Plugs and receptacles have to be equipped with both contact genders. Examples:  
 UTL6122W3G1P = 2 x SM16M1TK6 (power) + 1 x SC16M1TK6 (ground) + 5 x SM20W3TK6 (signal)

Note: all dimensions are in inches, unless otherwise noted and for information only

## Crimp contacts

### First Mate Last Break contacts

Contact size	Type	Wire size		Part number		Max wire Ø (inch)	Max insulator Ø (inch)	Color band		Available plating see p. 38
		AWG	mm <sup>2</sup>	Male	Female			Front	Rear	
<b>#16</b> Ø 0.062"  Longer male contact (+ 0.039") for First Mate Last Break Connection	Machined	30-28	0.05-0.08	<b>RM28M1GE1-</b>	-	0.021"	0.043"	-	Red	KorJ
		26-24	0.13-0.2	<b>RM24M9GE1-</b>		0.031"	0.062"	Red	Red	
		22-20	0.32-0.52	<b>RM20M13GE1-</b>		0.046"	0.070"	Black	Red	
				<b>RM20M12GE1-</b>			0.086"	Blue	Red	
		20-16	0.52-1.5	<b>RM16M23GE1-</b>		0.070"	0.125"	-	Red	
		16-14	1.5-2.5	<b>RM14M30GE1-</b>		0.089"	-	-	Red	
<b>#16</b> Ø 0.062"  Shorter female contact (+ 0.027") for Last Break First Mate Connection	Machined	30-28	0.05-0.08	-	<b>RC28M1GE7-</b>	0.021"	0.043"	-	Blue	KorJ
		26-24	0.13-0.2		<b>RC24M9GE7-</b>	0.031"	0.062"	Red	Blue	
		22-20	0.32-0.52		<b>RC20M13GE7-</b>	0.046"	0.070"	Black	Blue	
					<b>RC20M12GE7-</b>		0.086"	Blue	Blue	
		20-16	0.52-1.5		<b>RC16M23GE7-</b>	0.070"	0.125"	-	Blue	
		16-14	1.5-2.5		<b>RC14M30GE7-</b>	0.089"	-	-	Blue	

### How to make FMLB / LMFB\* connection

Contact 1 \ Contact 2	Standard male contact	Standard female contact	Longer male contact
Standard male contact		✓	
Standard female contact	✓		✓ FMLB
Shorter female contact	✓ LMFB		

First Mate Last Break contacts should be chosen only if the cavity is not marked with the ground symbol. For cavities marked with the ground symbol, standard contacts will fulfill the same role as a first mate, last break contact used in a standard cavity.



Ground symbol

\* FMLB: First Mate Last Break / LMFB: Last Mate First Break



## #16 coaxial contacts

### Coaxial contact range

Note: Coax contacts cannot be used in the ground cavity  
 We provide 2 types of coaxial contacts suitable for 50 or 75Ω, coaxial cable or twisted pair cable.

#### Monocrimp coaxial contact

- The monocrimp one-piece coaxial contacts offer high reliability plus the economic advantage of a 95% reduction in installation time over conventional assembly methods.
- This economy is achieved by simultaneously crimping both the inner conductor and outer braid or drain wire.



#### Multipiece crimp coaxial contact

- The inner conductor and outer braid is crimped individually.
- The thermoplastic insulating bushing in the outer body is designed to accept and permanently retain the inner contact.
- An outer ferrule is used to connect the braid to the outer contact and provide cable support to ensure against bending and vibration.



#### Suitable for coaxial cable or twisted cable

- For jacket diameter from 0.070" to 0.120"  
 Inner conductor up to 0.096" diameter



- For jacket diameter from 0.025" to 0.1057"  
 Inner conductor from 30 AWG to 24 AWG



#### Contacts for coaxial cable summary

Contact type	Contact range		Contact part number with cable combination	Cabling notice
	Male contact	Female contact		
Multipiece	RMDXK10D28	RCDXK1D28	See page 78	See pages 82 & 83
Monocrimp	RMDX60xxD28	RCDX60xxD28		See page 84

#### Contacts for twisted pairs cable summary

Contact type	Contact range		Contact part number with cable combination	Cabling notice
	Male contact	Female contact		
Multipiece	RMDXK10D28 + YORK090	RCDXK1D28 + YORK090	See page 79	See page 80
Monocrimp	RMDX60xxD28	RCDX60xxD28		See page 81

## PCB contacts for 3 + ground (103G1)

### PCB contacts for 3 + ground (103G1)

#### PCB soldering

UTL range can be carried out with a wave soldering process, but not reflow soldering process. All high temperature processes are prohibited.

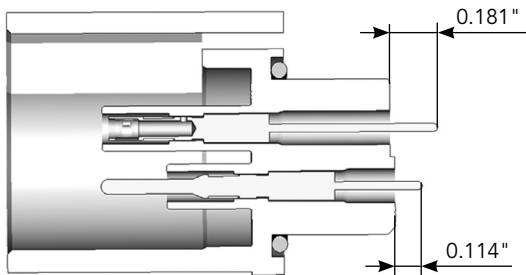


Contact size	Connector type	Part number contact		Plating see page 38
		Male	Female	
#16 Ø 0.062"	Male insert	RM20M12E8K	RC20M12E84K	K
	Female insert	RM20M12E8K	RC20M12E83K	

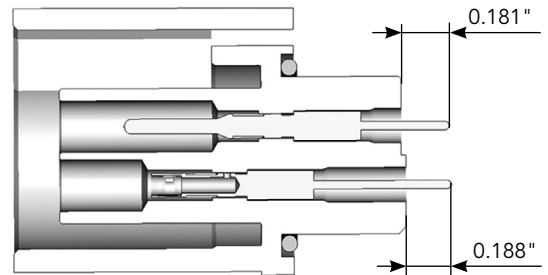
#### Nominal length

Dimension of dipsolder contacts out of connector (contacts to be ordered separately).

UTL7 female



UTL7 male



Note: The 6 pos. & 8 pos. layouts do not support PCB contacts



# UTL SERIES

# Technical Information

■ Stripping instructions .....	46
■ Tooling .....	49
■ Handle & interchangeable heads .....	51
■ Crimping control .....	52
■ Insertion tool & extraction tool .....	53
■ Assembly instructions .....	54
■ Mated connector length .....	57
■ Evaluation kit 3 contacts + ground .....	59
■ Evaluation kit 6 contacts .....	60
■ Evaluation kit 8 contacts .....	61
■ Evaluation kit – Assembly instructions .....	62
■ Rated current & working voltage .....	63
■ UV resistance .....	64
■ UL94 + UL1977 .....	65
■ IEC 61984 & IP codes explained .....	68
■ IEC 61140 explained .....	70
■ What is NEMA rating? .....	71
■ Ethernet for the Layman .....	72
■ RS-485 for the Layman .....	74

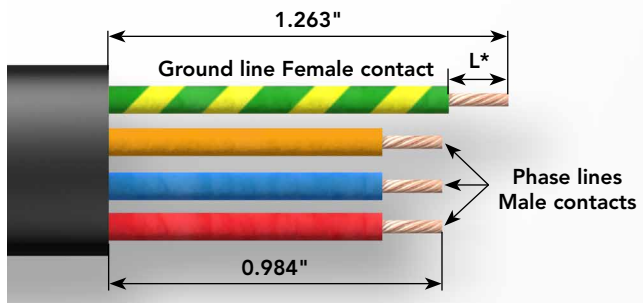
## Stripping instructions

### Stripping & cutting dimensions of outer jacket

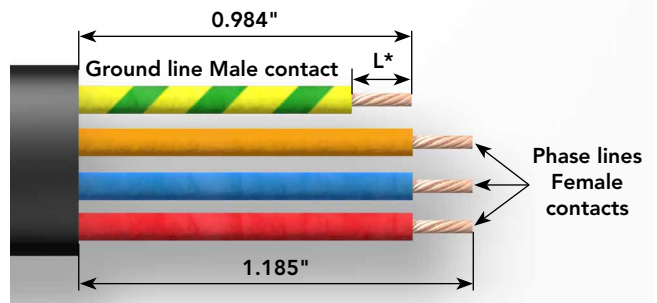
- Female insulator: Strip external cable sheath, adjust ground cable length
- Male insulator: Strip external cable sheath, adjust signal cable lengths
- Then, strip individual wire according to the recommended stripping length below
- Crimp contacts (see page 51)

#### 3 + ground

UTL0103G1P - UTL6103G1P - UTL7103G1P -  
UTL1103G1P

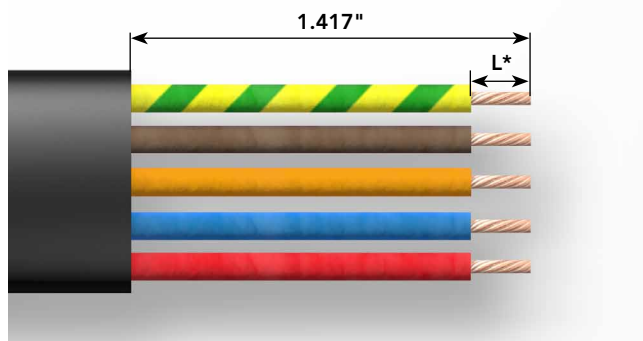


UTL0103G1S - UTL6103G1S - UTL7103G1S -  
UTL1103G1S

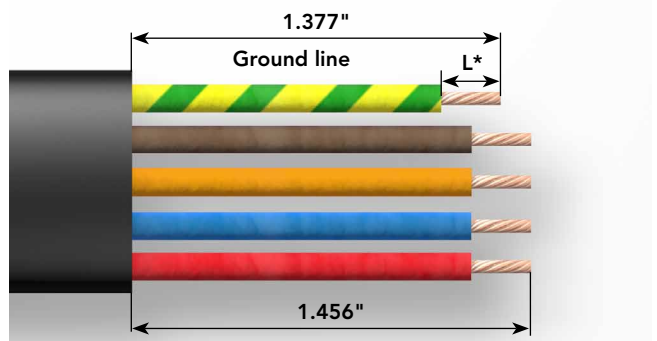


#### 5 pos.

UTL6145P - UTL7145P - UTL1145P



UTL6145S - UTL7145S - UTL1145S



\* see page 48

Note: Assembly operations mentioned above shall not interfere or to be in contradiction with the IPC-WHMA-A-620B

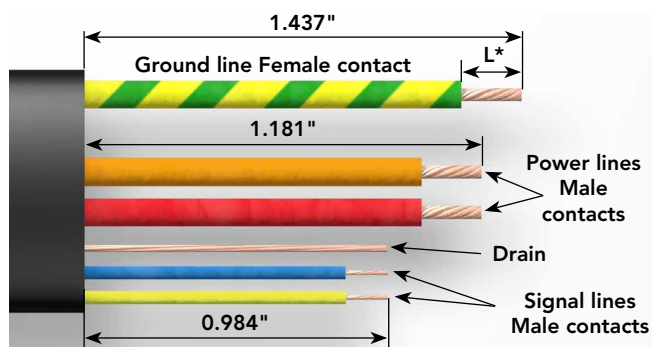
## Stripping instructions

### Stripping & cutting dimensions of outer jacket

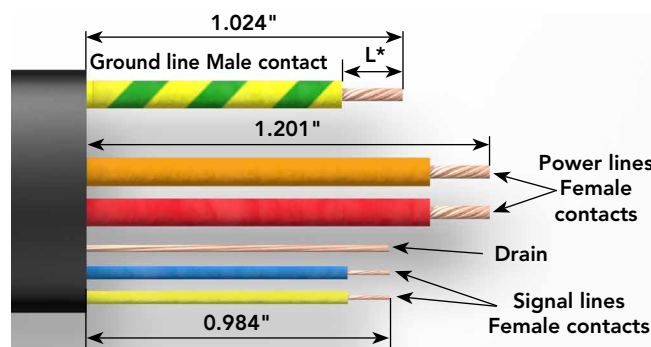
- Female insulator: Strip external cable sheath, adjust ground cable length
- Male insulator: Strip external cable sheath, adjust signal cable lengths
- Then, strip individual wire according to the recommended stripping length below
- Crimp contacts (see page 51)

#### 6 pos.

UTL6102G1W3P - UTL7102G1W3P - UTL1102G1W3P

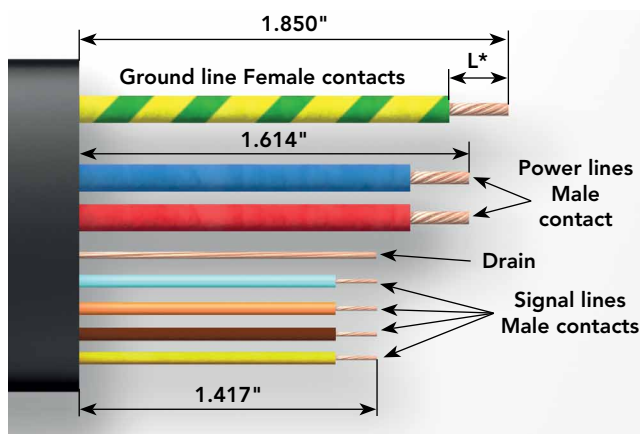


UTL6102G1W3S - UTL7102G1W3S - UTL1102G1W3S

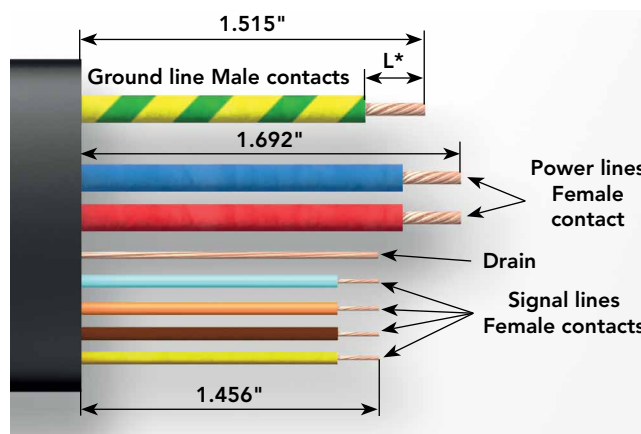


#### 8 pos.

UTL6122G1W5P - UTL7122G1W5P - UTL1122G1W5P






UTL6122G1W5S - UTL7122G1W5S - UTL1122G1W5S



\* see page 48

Note: Assembly operations mentioned above shall not interfere or to be in contradiction with the IPC-WHMA-A-620B

## Stripping instructions

Wire stripping length			
	Part number		Stripping length L (inch)
	Male	Female	
<p><b>Machined contact</b></p> 	#20 - Ø 0.039"		
	RM24W3- / RM20W3- RM18W3-	RC24W3- / RC20W3- RC18W3-	0.188"
	#16 - Ø 0.062"		
	RM28M1- / RM24M9- RM20M13- / RM20M12-	RC28M1- / RC24M9- RC20M13- / RC20M12-	0.188"
	RM16M23- / RM14M30-	RC16M23- / RC14M30-	0.279"
	RM16M25- / RM14M25-	RC16M25- / RC14M25-	0.212" / 0.204"
<p><b>Stamped &amp; formed</b></p> <p>With insulation support</p>  <p>Without insulation support</p> 	#20 - Ø 0.039"		
	SM24W3- / SM24WL3- SM20W3- / SM20WL3-	SC24W3- / SC24WL3- SC20W3- / SC20WL3-	0.157"
	#16 - Ø 0.062"		
	SM24M1- / SM24ML1- SM20M1- / SM20ML1-	SC24M1- / SC24ML1- SC20M1- / SC20ML1-	0.157"
	SM16M11- / SM16ML11-	SC16M11- / SC16ML11-	0.183"
	#16 - Ø 0.062"		
	SM16M1- / SM16ML1-	SC16M1- / SC16ML1-	0.250"
	SM14M1- / SM14ML1-	SC14M1- / SC14ML1-	0.250"

Note: See page 38 for plating options and other contact details

Note: Assembly operations mentioned above shall not interfere or to be in contradiction with the IPC-WHMA-A-620B

Screw termination version		
	Female	Stripping length L (inch)
<b>Screw contact delivered with connector</b>	#16 - Ø 0.062"	
		0.228"



## Tooling

### Automatic crimping tools



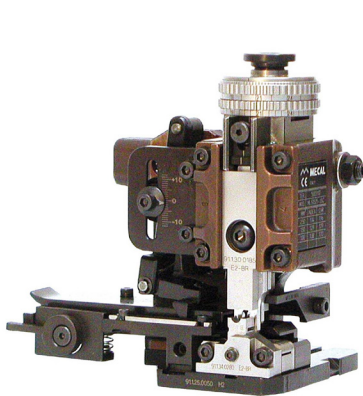
# SOURIAU

**Mecal is a leader in manufacturing tooling for crimping terminals over a stripped wire.**

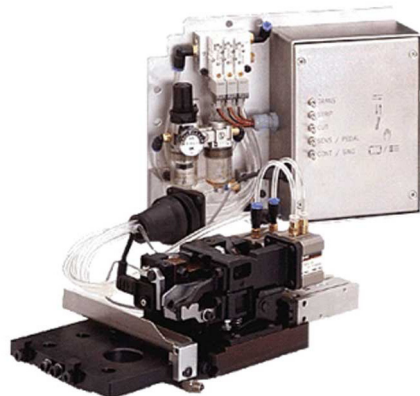
Established in 1976, Mecal has become one of the world's leading companies dedicated to the design and manufacture of semi automatic production tools for strip fed, open barrel crimp terminals, serving the Automotive, Telecom and Datacom industries.

SOURIAU designs, manufactures and markets **high performance - high reliability interconnect solutions** for severe environments dedicated to the Aerospace, Defense/Space, Heavy Industry (Railway & Mass Transit, Nuclear, Oil & Gas) and Industrial Equipment markets. SOURIAU has a worldwide presence with R & D centers and production sites in Europe, USA, Japan and India. The Company is deeply involved in the environmental protection with industrial sites following ISO 14001 and RoHS products. SOURIAU is now the Connection Technologies platform of Esterline Group.

**SOURIAU has been working in partnership with Mecal for many years. With sales offices located in all major industrial regions of the world, the combined strengths of both organizations has resulted in a truly global solution to all your production tooling needs. If you need automatic crimping tool, don't hesitate to contact Mecal.**



Mini Applicator



Stripper



Presses

Mecal sales network:

<http://www.mecal.net>

SOURIAU doesn't proposed automatic crimp tooling. For tooling development, please contact directly Mecal or your tooling supplier.

## Tooling

### Crimp tool table

#### Standard contacts

Contact size	Part number	Head*	Handles*	Insertion tool	Extraction tools	
#20 Ø 0.039"	RM/RC 24W3K	S2ØRCM	SHANDLES	-	RX2ØD44	
	RM/RC 20W3K					
	RM/RC 18W3K					
	SM 24WL3S*(1)					
	SC 24WL3S*(1)					
SM/SC 2ØWL3S*(1)	S2ØSCM2Ø					
#16 Ø 0.062"	RM/RC 28M1*	S16RCM2Ø		SHANDLES	RTM2Ø5	RX2Ø25GE1
	RM/RC 24M9*					
	RM/RC 2ØM13*					
	RM/RC 2ØM12*					
	RM/RC 16M23*	S16RCM16				
	RM/RC 14M3Ø*	S16RCM14				
	SM/SC 24ML1*	S16SCM2Ø				
	SM/SC 2ØML1*					
	SM/SC 16ML1*	S16SCML1				
	SM/SC 14ML1*	S16SCML1				
	SM/SC 16ML11*	S16SCML11				

(1) loose contact \* endurance of SHANDLES & Head tools = 50,000 cycles

#### Specific contacts

Contact size	Part number (1)	Hand tools* (SHANDLES) head	Tool with separate locator			Insertion tool	Extraction tool
			Hand tool	Positioner + locator setting			
#16 Ø 0.062" Sealed contact	RM/RC 16M25K	S16RCM1625	-	-	-	RTM2Ø5	RX2Ø25GE1
	RM/RC 14M25K	S16RCM1425	-	-	-		
#16 Ø 0.062" Longer RM contact	RM28M1GE1K	S16RCM2Ø	-	-	-		
	RM24M9GE1K						
	RM2ØM13GE1K						
	RM16M23GE1K	S16RCM16					
RM14M3ØGE1K	S16RCM14						
#16 Ø 0.062" Shorter RC contact	RC28M1GE7K	S16RCM2Ø	MH86Ø	MH86164G	4/6		
	RC24M9GE7K				5/6		
	RC2ØM13GE7K RC2ØM12GE7K				5/7		
	RC16M23GE7K	6/8					
	RC14M3ØGE7K	S16RCM14			M317	UH25	3

(1) see page 38 for plating options and other contact details

\* endurance of SHANDLES & Head tools = 50,000 cycles

#### Coaxial contacts

See coax contacts details on page 41 and cabling notice pages 78 to 84.

## Handle & interchangeable heads

### Crimping with SOURIAU tooling

1) Fully close then release the tool, keep it open. Open the 2 pins.



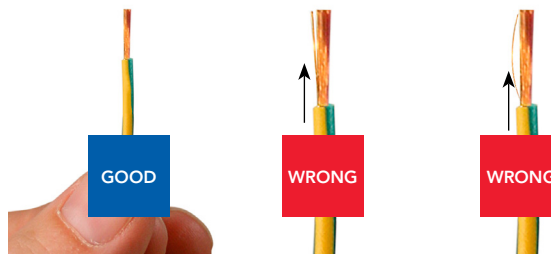
2) Choose the adapter head (sold separately), keep vertical and slide it into the handle until the mechanical end.



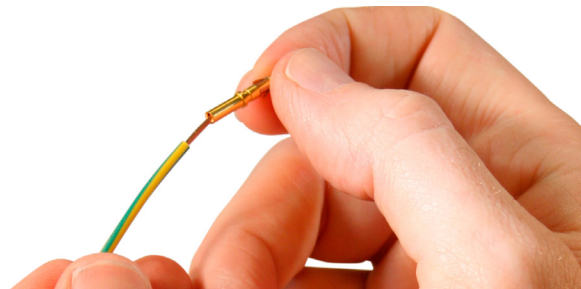
3) Close the two pins simultaneously to maintain the head.



4) Strip the cable properly by checking the recommended size in the catalog on pages 46 and 47.



5) Place conductors, with no deterioration, in the contact bucket. All strands to be located in the crimp bucket.



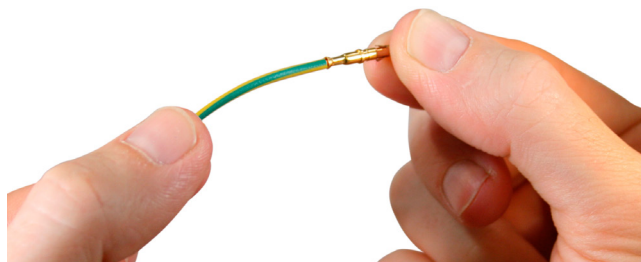
6) Position the contact in the bottom of the tool by checking its orientation. Maintain the wire in position.



7) Tighten sharply the handles to the end of the mechanism (max 175 N). After handles are opened, extract the contact.



8) Control the quality of crimping (see page 52).



Note: Assembly operations mentioned above shall not interfere or to be in contradiction with the IPC-WHMA-A-620B

## Crimping control

### Crimping

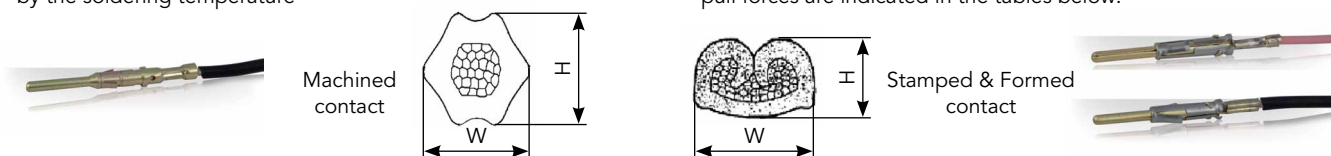
One of the key factors which affects the performance of a connector is the way contacts are terminated. Crimped connections are nowadays seen as the best solution to ensure quality throughout the lifetime of the product. Here are some reasons why we recommend this method of termination for UTL connectors:

**Advantages (Extract from the IEC 60352-2):**

- Efficient processing of connections at each production level
- Processing by fully-automatic or semi- automatic crimping machines, or with hand operated tools
- No cold-soldered joints
- No degradation of the spring characteristic of female contacts by the soldering temperature

- No health risk from heavy metal and flux steam
- Preservation of conductor flexibility behind the crimped connection
- No burned, discolored and overheated wire insulation
- Good connections with reproducible electrical and mechanical performances
- Easy production control.

To ensure that the crimp tooling is performing according to original specifications, it is important to carry out regular checks. A common way to check the performance of tooling is with a simple pull test, ideally using a dedicated electric pull tester. Minimum recommended pull forces are indicated in the tables below:



Active contact part	Contact type	Die location on heads	Wire section range	Section (mm <sup>2</sup> )	Tensile straight test (mini)	Height (inch) H (±0.002")	Width (inch) W (±0.002")	Tooling head part number		
Machined contacts size #20 Ø0.039"	RM24W3K RC24W3K	26/24	26 AWG	0.12 min	15 N	0.037"	0.050"	S20RCM		
			24 AWG	0.25 max	32 N					
	RM20W3K RC20W3K	22/20	22 AWG	0.32 min	40 N	0.049"	0.070"			
			20 AWG	0.50 max	60 N					
	RM18W3K RC18W3K	20/18	20 AWG	0.50 max	60 N	0.053"	0.073"			
			18 AWG	0.82 max	90 N					
S & F contacts size #20 Ø0.039"	SM24WL3TK6* SC24WL3TK6*	26/24	26 AWG	0.12 min	15 N	0.031"	0.058"	S20SCM20		
			24 AWG	0.25 max	32 N					
	SM20WL3TK6* SC20WL3TK6*	22/20	22 AWG	0.32 min	40 N	0.039"	0.060"			
			20 AWG	0.50 max	60 N					
	Machined contacts size #16 Ø0.062"	RM28M1K* RC28M1K*	30/28	30 AWG	0.05 min	11 N	0.044"		0.055"	S16RCM20
				28 AWG	0.08 max	11 N				
RM24M9K* RC24M9K*		26/24	26 AWG	0.12 min	15 N	0.045"	0.055"			
			24 AWG	0.25 max	32 N					
RM20M13K* RC20M13K*		22/20	22 AWG	0.32 min	40 N	0.049"	0.069"			
			20 AWG	0.50 max	60 N					
RM20M12K* RC20M12K*			22 AWG	0.32 min	40 N					
		20 AWG	0.50 max	60 N						
RM16M23K* RC16M23K*		20	20 AWG	0.50 max	60 N	0.065"	0.085"	S16RCM16		
		18	18 AWG	0.82 max	90 N	0.070"	0.089"			
		16	16 AWG	1.50 max	150 N	0.077"	0.095"			
RM16M25K RC16M25K		118	18 AWG	0.82 max	90 N	0.070"	0.089"	S16RCM1625		
	16	16 AWG	1.50 max	150 N	0.077"	0.095"				
RM14M25K RC14M25K	16	16 AWG	1.50 min	150 N	0.082"	0.105"	S16RCM1425			
	14	14 AWG	2.50 min	230 N	0.090"	0.109"				
RM14M30K* RC14M30K*	16	16 AWG	1.50 min	150 N	0.082"	0.105"	S16RCM14			
	14	14 AWG	2.50 min	230 N	0.090"	0.109"				
S & F contacts size #16 Ø0.062"	SM24ML1TK6* SC24ML1TK6*	26/24	26 AWG	0.12 min	15 N	0.033"	0.059"	S16SCM20		
			24 AWG	0.25 max	32 N					
	SM20ML1TK6* SC20ML1TK6*	22/20	22 AWG	0.32 min	40 N	0.040"	0.060"			
			20 AWG	0.50 max	60 N					
	SM16ML11TK6* SC16ML11TK6*	18	18 AWG	0.82 min	90 N	0.051"	0.082"	S16SCML11		
		16	16 AWG	1.50 max	150 N	0.053"	0.082"			
	SM16ML1TK6* SC16ML1TK6*	18	18 AWG	0.82 min	90 N	0.058"	0.079"	S16SCML1		
		16	16 AWG	1.50 max	150 N	0.066"	0.080"			
	SM14ML1TK6* SC14ML1TK6*	14	14 AWG	2.50 max	230 N	0.070"	0.101"			

\* example of plating, for other plating see page 38

Note: Assembly operations mentioned above shall not interfere or to be in contradiction with the IPC-WHMA-A-620B

## Insertion tool

Contact size	Part number
#16	RTM205



RTM205

## Extraction tool

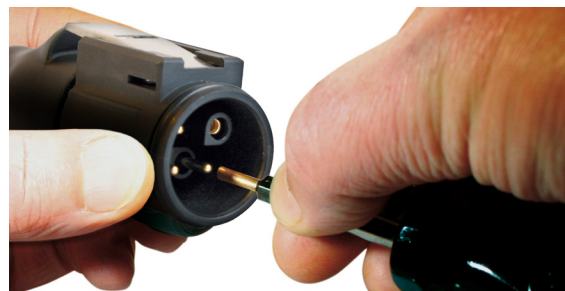
Contact size	Part number
#16	RX2025GE1



RX2025GE1

## Contact extraction instructions

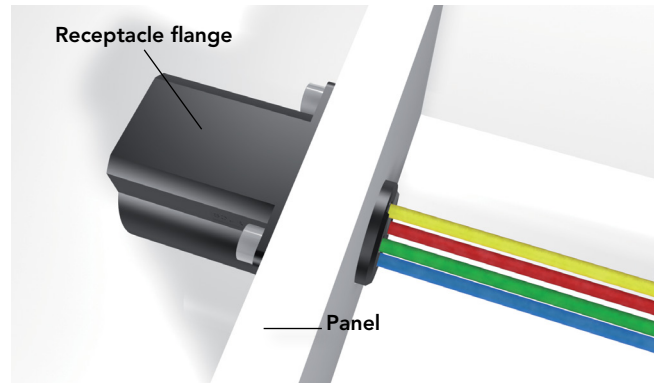
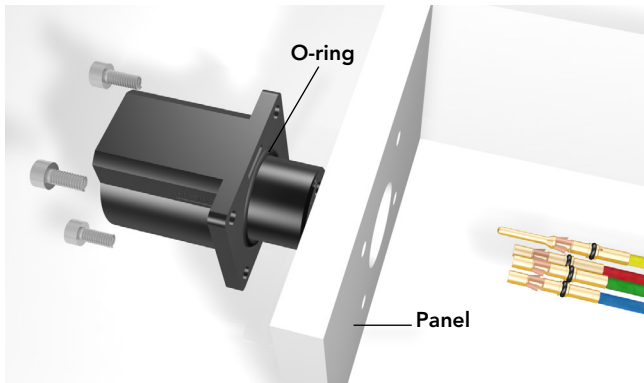
Place the tool into the cavity from front face of the connector, push on the handle, then remove the contact.  
 #20 female contact are not removable.



## Assembly instructions

### UTL0 assembly (mounting suggestion)

- Strip wires (see pages 46 & 47)
- Crimp contacts (see pages 51 & 52)
- Place all the contacts inside the corresponding cavities
- Manually push each contact, or use our tool (**RTM205** for #16 contacts), until audible click. Check each contact retention, with two finger retraction
- Place receptacle in the panel cut-out (see dimension page 19 for UTL103G1)
- Secure receptacle with M3 screws (not supplied), torque 0.7 N.m maxi



### UTL6 or UTL1 assembly

- Strip wires (see pages 46 & 47)
- Crimp contacts (see pages 51 & 52)
- Place all the contacts inside the corresponding cavities
- Manually push each contact, or use our tool (**RTM205** for #16 contacts), until audible click. Check each contact retention, with two finger retraction
- Do an overmolding on the wired set or use heat shrink boot

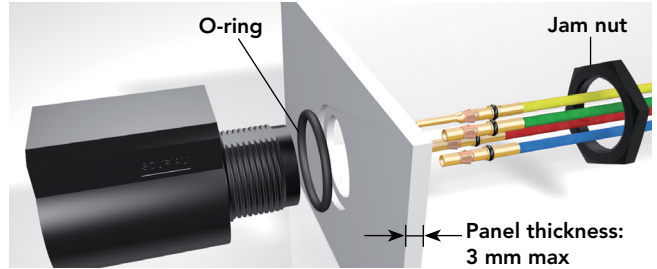


Note: Assembly operations mentioned above shall not interfere or to be in contradiction with the IPC-WHMA-A-620B

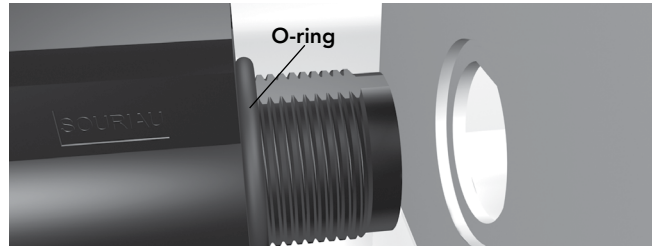
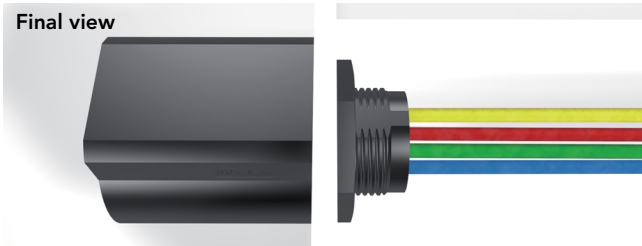
## Assembly instructions

### UTL7 assembly (mounting suggestion)

- Slide nut over the wires
- Strip wires (see pages 46 & 47)
- Crimp contacts (see pages 51 & 52)
- Place all the contacts inside the corresponding cavities
- Manually push each contact, or use our tool (**RTM205** for #16 contacts), until audible click. Check each contact retention, with two finger retraction
- Seat o-ring, place receptacle in the panel cut-out (see dimension page 19 for UTL103G1, page 23 for UTL102G1W3 or page 27 for UTL122G1W5)
- Tighten jam nut torque: 2.5 Nm maxi, tightening tool: 7/8"

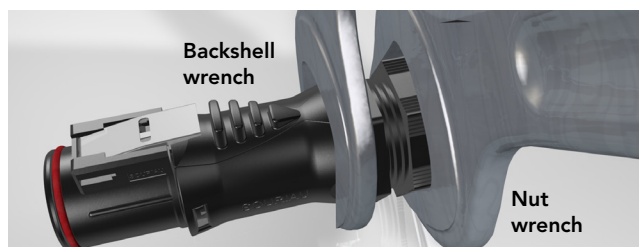
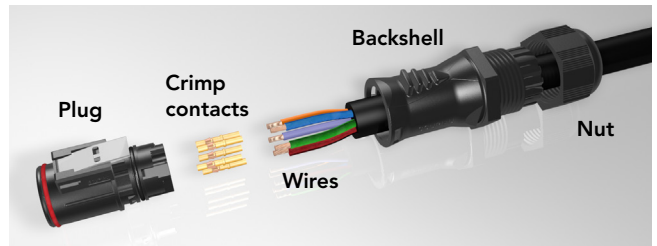


Final view



### UTL6145 with backshell assembly

- Slide backshell on the cable
- Strip wires (see page 47)
- For screw termination version: place each stripped wire in the contact and tighten the screw, advised torque 20 Ncm
- For crimp termination version: crimp contacts (see pages 51 & 52) on wires and insert contacts in the cavities
- Check wire retention by a slight two finger retraction
- Then click the backshell on the plug rear side
- Tighten the cable gland on the backshell, indicative torque: 3 Nm
- Finally tighten the nut on the cable gland, wrench size 30, indicative torque: 8 Nm maxi (coupling torque will depend of the cable type)



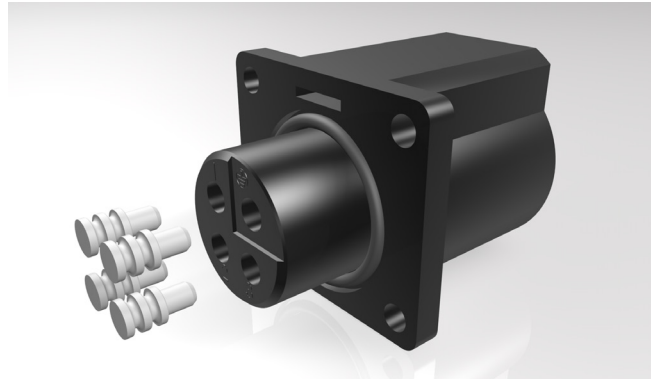
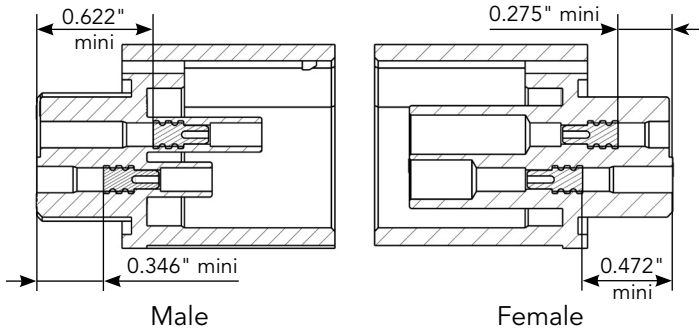
Note: Assembly operations mentioned above shall not interfere or to be in contradiction with the IPC-WHMA-A-620B

## Assembly instructions

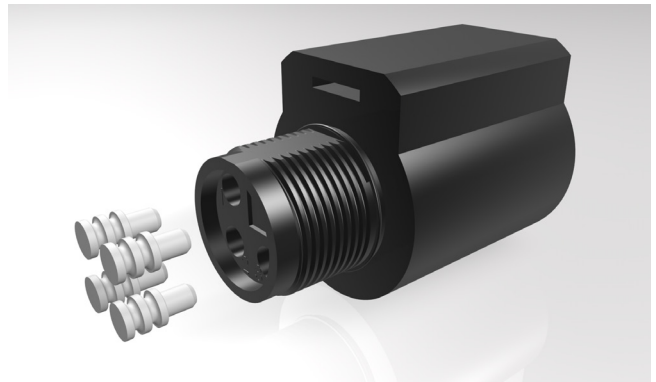
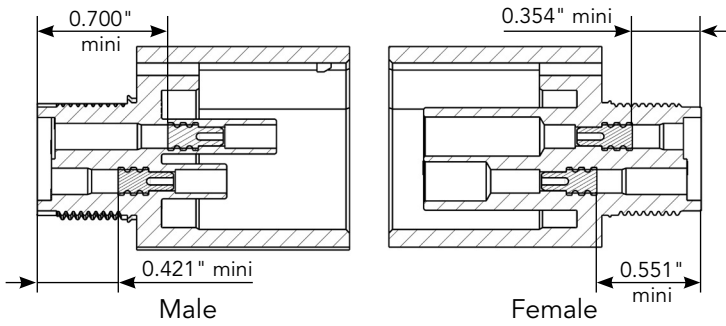
### SWSFILLERPLUG mounting for 3 + ground

Push the sealing plug into each connector cavity to seal until a mechanical stop.

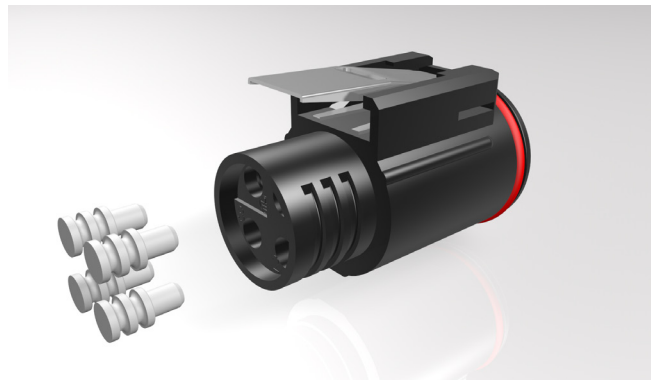
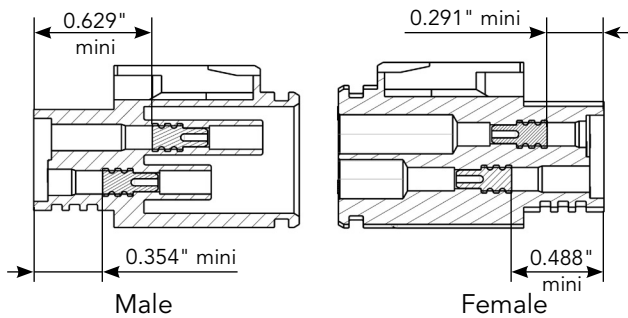
#### UTL0



#### UTL7 & UTL1



#### UTL6



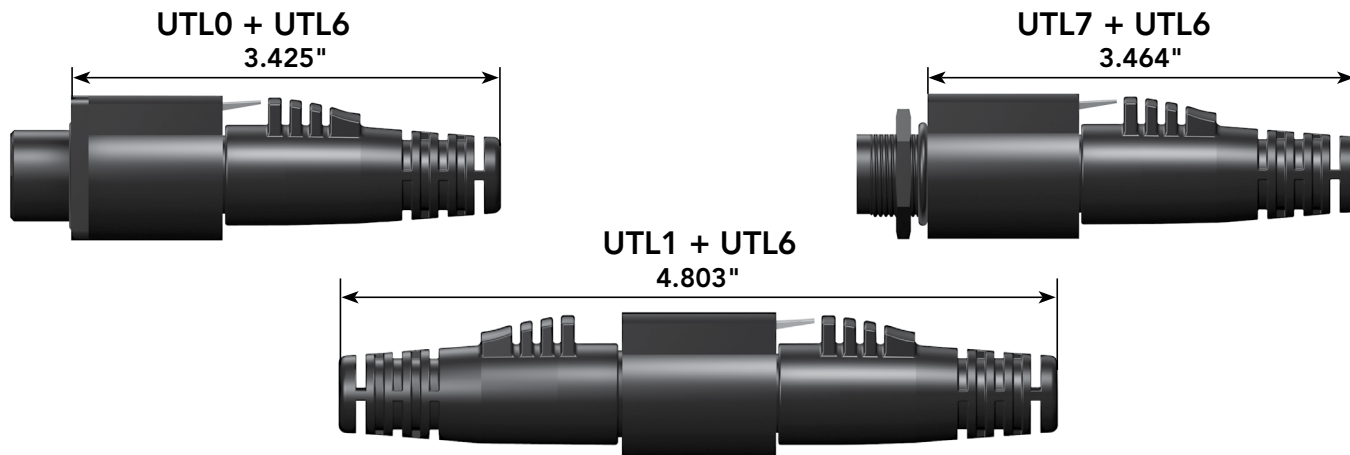
Note: all dimensions are in inches



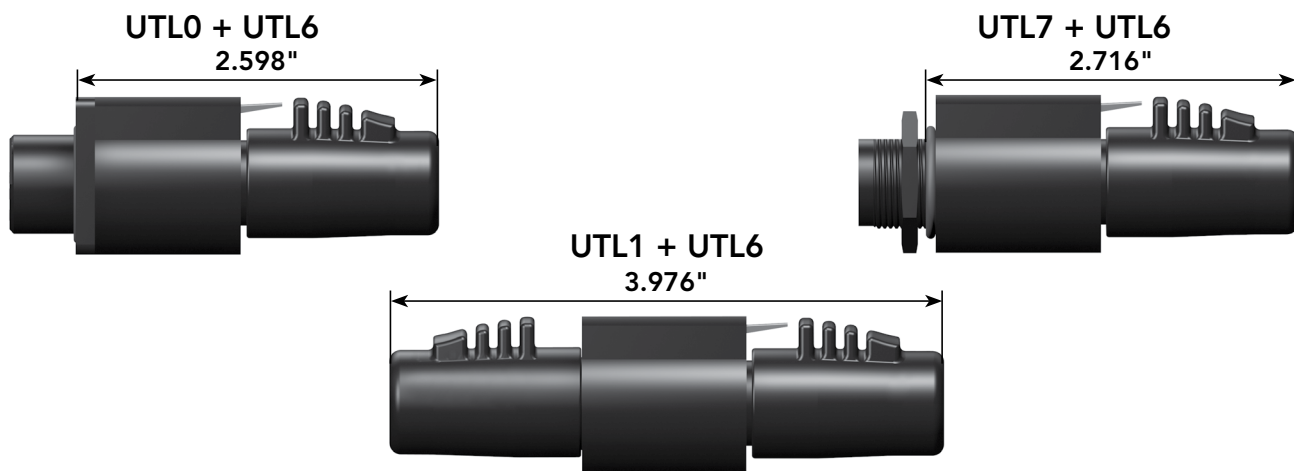
## Mated connector length

**103G1** (shell size 10, 3 + ground, 4x#16) & **102G1W3** (shell size 10, 3x#16 + 3x#20)

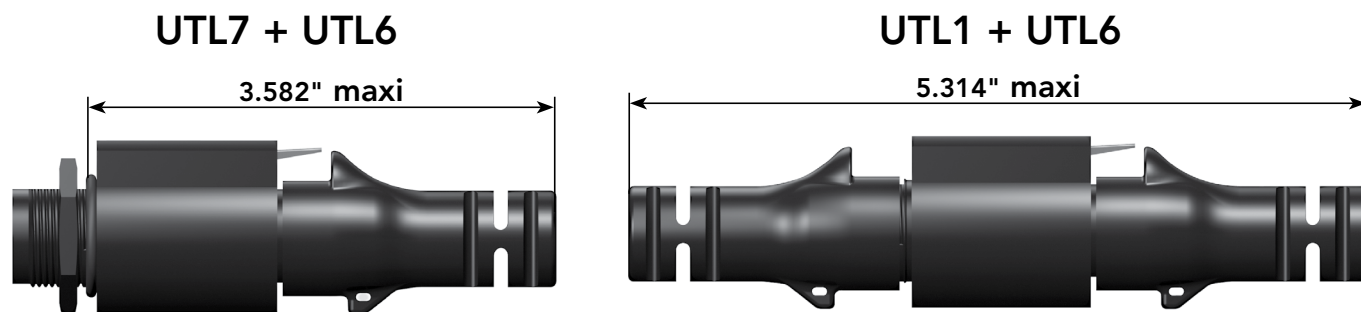
### Long version: with strain relief



### Short version: without strain relief



**122G1W5** (shell size 12, 3x#16 + 5x#20)



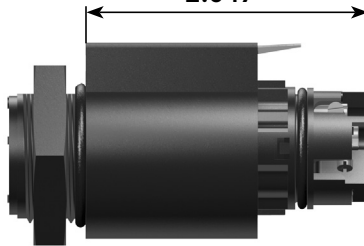
Note: all dimensions are in inches

## Mated connector length

**145** (shell size 14, 5x#16)

**UTL1 or UTL7 + UTL6**

2.047"



**UTL1 or UTL7 + UTL6JC**

4.133"



## Evaluation kit 3 contacts + ground part number (103G1)

Evaluation kit is composed of 1 connector, contacts and 1 heat shrink boot for a quick and easy assembly production.

Evaluation kit is the solution for a quick prototyping, please note that the IP level of the evaluation kit is IP67.

Part number	Connector type	Gender	Wire section		Kit contains													
			AWG	mm <sup>2</sup>	UTL6103G1W3P	UTL6103G1W3S	UTL1103G1W3P	UTL1103G1W3S	UTL7103G1W3P	UTL7103G1W3S	UTL0103G1W3P	UTL0103G1W3S	SM20ML1S31	SC20ML1S31	SM16ML1S31	SC16ML1S31	SM14ML1S31	SC14ML1S31
UTL6103G1P20AWG	Plug	Male power	20	0.5	1	-	-	-	-	-	-	-	4	2	-	-	-	-
UTL6103G1P16AWG	Plug	Male power	16	1.5	1	-	-	-	-	-	-	-	-	-	4	2	-	-
UTL6103G1P14AWG	Plug	Male power	14	2.5	1	-	-	-	-	-	-	-	-	-	-	-	4	2
UTL6103G1S20AWG	Plug	Female power	20	0.5	-	1	-	-	-	-	-	2	4	-	-	-	-	-
UTL6103G1S16AWG	Plug	Female power	16	1.5	-	1	-	-	-	-	-	-	-	2	4	-	-	-
UTL6103G1S14AWG	Plug	Female power	14	2.5	-	1	-	-	-	-	-	-	-	-	-	-	2	4
UTL1103G1P20AWG	Inline receptacle	Male power	20	0.5	-	-	1	-	-	-	-	4	2	-	-	-	-	-
UTL1103G1P16AWG	Inline receptacle	Male power	16	1.5	-	-	1	-	-	-	-	-	-	4	2	-	-	-
UTL1103G1P14AWG	Inline receptacle	Male power	14	2.5	-	-	1	-	-	-	-	-	-	-	-	-	4	2
UTL1103G1S20AWG	Inline receptacle	Female power	20	0.5	-	-	-	1	-	-	-	2	4	-	-	-	-	-
UTL1103G1S16AWG	Inline receptacle	Female power	16	1.5	-	-	-	1	-	-	-	-	-	2	4	-	-	-
UTL1103G1S14AWG	Inline receptacle	Female power	14	2.5	-	-	-	1	-	-	-	-	-	-	-	-	2	4
UTL7103G1P20AWG	Jam nut receptacle	Male power	20	0.5	-	-	-	-	1	-	-	4	2	-	-	-	-	-
UTL7103G1P16AWG	Jam nut receptacle	Male power	16	1.5	-	-	-	-	1	-	-	-	-	4	2	-	-	-
UTL7103G1P14AWG	Jam nut receptacle	Male power	14	2.5	-	-	-	-	1	-	-	-	-	-	-	-	4	2
UTL7103G1S20AWG	Jam nut receptacle	Female power	20	0.5	-	-	-	-	-	1	-	2	4	-	-	-	-	-
UTL7103G1S16AWG	Jam nut receptacle	Female power	16	1.5	-	-	-	-	-	1	-	-	-	2	4	-	-	-
UTL7103G1S14AWG	Jam nut receptacle	Female power	14	2.5	-	-	-	-	-	1	-	-	-	-	-	-	2	4
UTL0103G1P20AWG	Square flange receptacle	Male power	20	0.5	-	-	-	-	-	-	1	4	2	-	-	-	-	-
UTL0103G1P16AWG	Square flange receptacle	Male power	16	1.5	-	-	-	-	-	-	1	-	-	4	2	-	-	-
UTL0103G1P14AWG	Square flange receptacle	Male power	14	2.5	-	-	-	-	-	-	1	-	-	-	-	-	4	2
UTL0103G1S20AWG	Square flange receptacle	Female power	20	0.5	-	-	-	-	-	-	1	2	4	-	-	-	-	-
UTL0103G1S16AWG	Square flange receptacle	Female power	16	1.5	-	-	-	-	-	-	1	-	-	2	4	-	-	-
UTL0103G1S14AWG	Square flange receptacle	Female power	14	2.5	-	-	-	-	-	-	1	-	-	-	-	-	2	4

## Evaluation kit 6 contacts part number (102G1W3)

Evaluation kit is composed of 1 connector, contacts and 1 heat shrink boot for a quick and easy assembly production.

Evaluation kit is the solution for a quick prototyping, please note that the IP level of the evaluation kit is IP67.

Part number	Connector type	Gender	Wire section		Kit contains														
			AWG	mm <sup>2</sup>	UTL6102G1W3P	UTL6102G1W3S	UTL1102G1W3P	UTL1102G1W3S	UTL7102G1W3P	UTL7102G1W3S	Heat shrink boot	SM20WL3S26	SC20WL3S25	SM24WL3S26	SC24WL3S25	SM16ML1S31	SC16ML1S31	SM14ML1S31	SC14ML1S31
UTL6102G1W3P16AWG	Plug	Male power	16	1.5	1	-	-	-	-	-	1	1	-	3	-	3	2	-	-
UTL6102G1W3P14AWG	Plug	Male power	14	2.5	1	-	-	-	-	-	1	1	-	3	-	-	-	3	2
UTL6102G1W3S16AWG	Plug	Female power	16	1.5	-	1	-	-	-	-	1	-	1	-	3	2	3	-	-
UTL6102G1W3S14AWG	Plug	Female power	14	2.5	-	1	-	-	-	-	1	-	1	-	3	-	-	2	3
UTL1102G1W3P16AWG	Inline receptacle	Male power	16	1.5	-	-	1	-	-	-	1	1	-	3	-	3	2	-	-
UTL1102G1W3P14AWG	Inline receptacle	Male power	14	2.5	-	-	1	-	-	-	1	1	-	3	-	-	-	3	2
UTL1102G1W3S16AWG	Inline receptacle	Female power	16	1.5	-	-	-	1	-	-	1	-	1	-	3	2	3	-	-
UTL1102G1W3S14AWG	Inline receptacle	Female power	14	2.5	-	-	-	1	-	-	1	-	1	-	3	-	-	2	3
UTL7102G1W3P16AWG	Jam nut receptacle	Male power	16	1.5	-	-	-	-	1	-	-	1	-	3	-	3	2	-	-
UTL7102G1W3P14AWG	Jam nut receptacle	Male power	14	2.5	-	-	-	-	1	-	-	1	-	3	-	-	-	3	2
UTL7102G1W3S16AWG	Jam nut receptacle	Female power	16	1.5	-	-	-	-	-	1	-	-	1	-	3	2	3	-	-
UTL7102G1W3S14AWG	Jam nut receptacle	Female power	14	2.5	-	-	-	-	-	1	-	-	1	-	3	-	-	2	3

## Evaluation kit 8 contacts part number (122G1W5)

Evaluation kit is composed of 1 connector, contacts and 1 heat shrink boot for a quick and easy assembly production.

Evaluation kit is the solution for a quick prototyping, please note that the IP level of the evaluation kit is IP67.

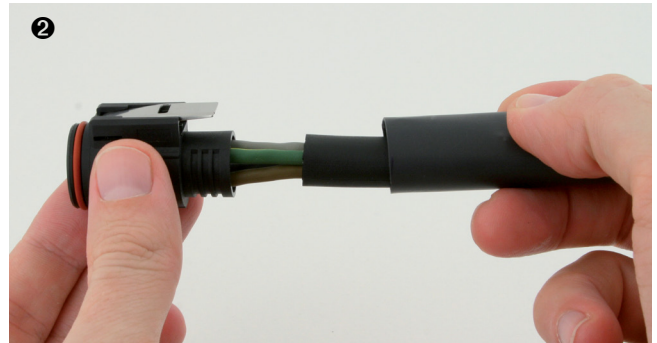
Part number	Connector type	Gender	Wire section		Kit contains														
			AWG	mm <sup>2</sup>	UTL6122G1W5P	UTL6122G1W5S	UTL1122G1W5P	UTL1122G1W5S	UTL7122G1W5P	UTL7122G1W5S	Heat shrink boot	SM20WL3S26	SC20WL3S25	SM24WL3S26	SC24WL3S25	SM16ML1S31	SC16ML1S31	SM14ML1S31	SC14ML1S31
UTL6122G1W5P16AWG	Plug	Male power	16	1.5	1	-	-	-	-	-	1	2	-	5	-	3	2	-	-
UTL6122G1W5P14AWG	Plug	Male power	14	2.5	1	-	-	-	-	-	1	2	-	5	-	-	-	3	2
UTL6122G1W5S16AWG	Plug	Female power	16	1.5	-	1	-	-	-	-	1	-	2	-	5	2	3	-	-
UTL6122G1W5S14AWG	Plug	Female power	14	2.5	-	1	-	-	-	-	1	-	2	-	5	-	-	2	3
UTL1122G1W5P16AWG	Inline receptacle	Male power	16	1.5	-	-	1	-	-	-	1	2	-	5	-	3	2	-	-
UTL1122G1W5P14AWG	Inline receptacle	Male power	14	2.5	-	-	1	-	-	-	1	2	-	5	-	-	-	3	2
UTL1122G1W5S16AWG	Inline receptacle	Female power	16	1.5	-	-	-	1	-	-	1	-	2	-	5	2	3	-	-
UTL1122G1W5S14AWG	Inline receptacle	Female power	14	2.5	-	-	-	1	-	-	1	-	2	-	5	-	-	2	3
UTL7122G1W5P16AWG	Jam nut receptacle	Male power	16	1.5	-	-	-	-	1	-	-	2	-	5	-	3	2	-	-
UTL7122G1W5P14AWG	Jam nut receptacle	Male power	14	2.5	-	-	-	-	1	-	-	2	-	5	-	-	-	3	2
UTL7122G1W5S16AWG	Jam nut receptacle	Female power	16	1.5	-	-	-	-	-	1	-	-	2	-	5	2	3	-	-
UTL7122G1W5S14AWG	Jam nut receptacle	Female power	14	2.5	-	-	-	-	-	1	-	-	2	-	5	-	-	2	3

## Evaluation kit

### Assembly instructions

The boot is semi-flexible and heat-shrinkable with a moldable adhesive inner lining.

- Place the heat shrink boot over the cable
- Strip the cable jacket (see pages 46 & 47)
- Strip the individual wires (see page 48)
- Crimp the contacts (see pages 51 & 52) **1**
- Place the contacts in their cavities, checking the retention by slightly pulling the cable **2**
- Clean the connector surface and the cable jacket with isopropyl alcohol  
(Note: It is advised to rub the jacket with sand paper and clean the jacket before shrinking the boot)
- Position the boot over the rear threads **3**
- Heat the boot with a heat gun: minimum shrink temp: 80°C - minimum full recovery temp: 110°C make sure to apply the heat evenly around the boot. Starting by applying the heat from the rear of the connector. **4**  
Do not apply excessive heat, as it will damage the connector and/or boot.
- Let the boot cool down **5**
- Check for good retention and the boot glue grip **6**.

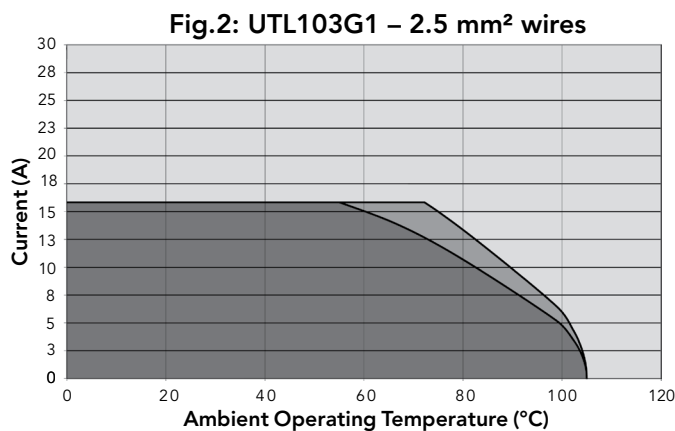
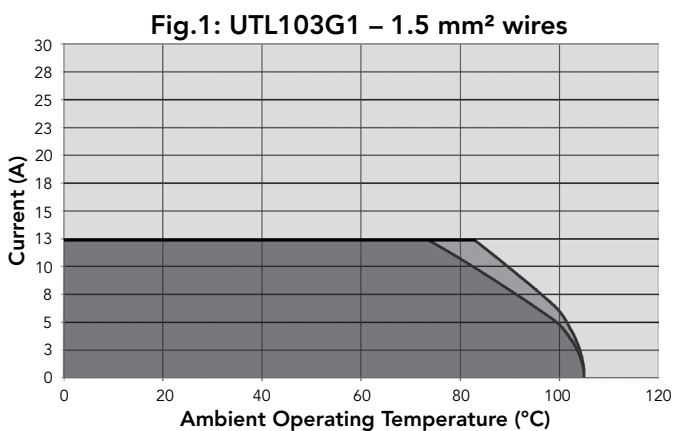


## Rated current & working voltage

### Current carrying capacity

The current carrying capacity of a connector is limited by the thermal properties of materials used in its construction. The amount of current that can be handled depends on the size of cable used, the ambient temperature and the heat that is generated inside the connector. Part 3 of the IEC 60512 standard determines through a derating curve, the maximum current permissible, which varies from one layout to another (Fig.1 & Fig.2). Wire size plays an important role as well, since they help to dissipate heat and avoid overheating (Fig.1 & Fig.2).

Please note that the curve should be adjusted when dealing with potential hot spots, which can occur as a result of unequal loading of current across a number of contacts. As a general rule, it is best to avoid locating power handling contacts in the middle of the connector; try to locate them towards the edge where heat can be dissipated more effectively. Eventually you should find a level which represents the permissible operating range:



Theoretic current use
  Limited use
  Not recommended use

The **rated current** is defined as uninterrupted continuous current that a connector can take when all contacts are energized simultaneously without exceeding the maximum limit of temperature. The ground contact is never loaded.

## UV resistance

### UV resistance

Solar radiation affects all materials, but plastics can be susceptible to extreme degradation over time. The choice of materials for the UTL series was therefore a critical consideration.

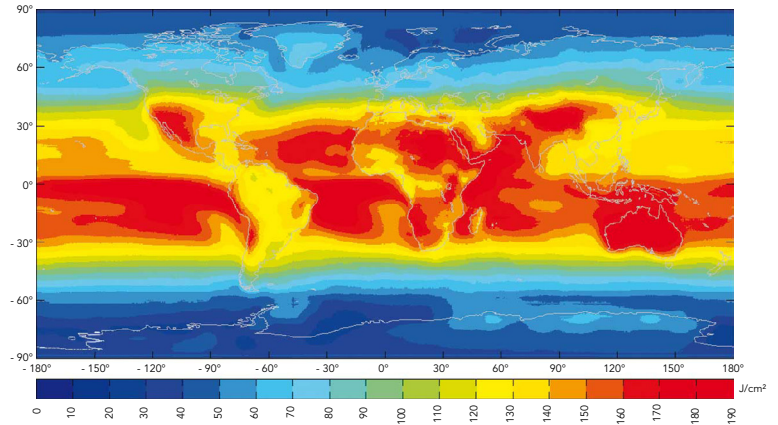
All over the world we are not exposed to the same amount of energy given by the sun. The chart shown here clearly illustrates this.

So we performed test according to the ISO 4892-2 and simulated 5 years exposure to outdoor environments (temperature, humidity, etc.).

After this period there was no significant color variation, no crazing, no cracking and no major variation of mechanical properties.

In addition, we asked UL to perform UV test per the UL746C. Our material has been rated F1 which is the highest level in this standard.

Yearly mean of daily irradiation in UV (280-400 nm) on horizontal plane (J/cm<sup>2</sup>) (1990-2004)





## UL94 + UL1977

Underwriter laboratories



There are two main standards for industrial connectors: UL94 & UL1977

### UL 94: Tests for Flammability of Plastic Materials for Parts in Devices and Appliances

This standard is dedicated to plastics flammability. It characterizes how the material burns in various orientation and thicknesses. Whereas most of our competitors are using a 50W test to classify the ability of their solution to withstand fire, SOURIAU decided to increase this to a 500W test. New regulations tend to emphasize the importance of burning behavior making the 50W test less and less relevant.

The UTL series has been rated at 5VA.

Procedure: Bar specimens are to be 4.921" long by 0.511" wide, and provided in the minimum thickness.

Plaque specimens are to be 5.905" by 5.905" and provided in the minimum thickness.

Thicker specimens may also be provided and shall be tested if the results obtained on the minimum thickness indicate inconsistent test results. The maximum thickness is not to exceed 0.511".

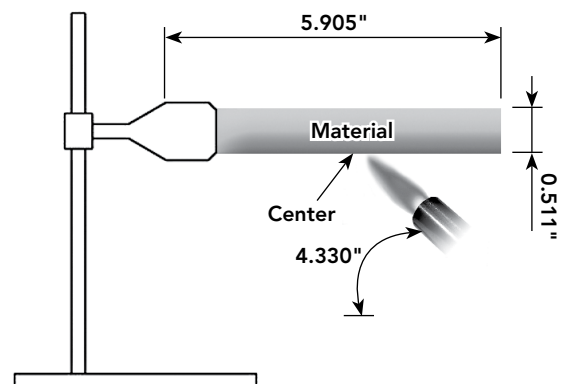
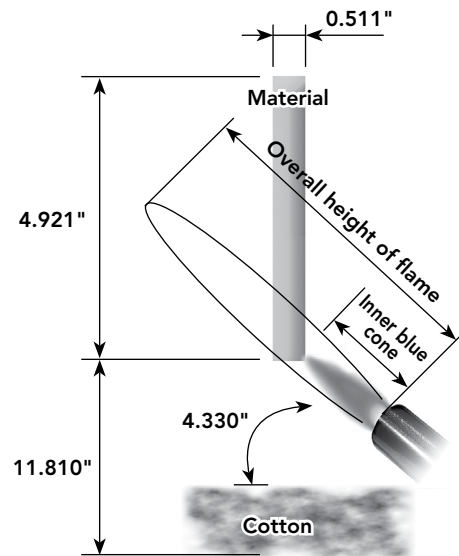
Conditions	5VA
Afterflame time plus afterglow time after fifth flame application for each individual bar specimen	≤60s
Cotton indicator ignited by flaming particles or drops from any bar specimen	No
Burn-through (hole) of any plaque specimen	No

#### 5VA Vertical burning:

- The specimen is clamped from the upper 0.236" of the specimen, with the longitudinal axis vertical, so that the lower end of the specimen is 11.810" above a horizontal layer of not more than 0.08 g of absorbent cotton thinned to approximately 1.968" x 1.968" and a maximum thickness of 0.236".
- The 500W flame is then to be applied to one of the lower corners of the specimen so that the tip of the blue cone is within 0 to 0.118" of the specimen edge.
- Apply the flame for 5<sup>±0.5</sup> seconds and then remove for 5<sup>±0.5</sup> seconds. Repeat the operation until the specimen has been subjected to five applications of the test flame.

#### 5VA Horizontal burning:

- Support the plaque specimen by a clamp in the horizontal plane.
- The flame is then to be applied to the centre of the bottom surface of the plaque so that the tip of the blue cone is within 0 to 0.118" of the plaque surface.
- Apply the flame for 5<sup>±0.5</sup> seconds and then remove for 5<sup>±0.5</sup> seconds. Repeat the operation until the plaque specimen has been subjected to five applications of the test flame.
- After the fifth application of the test flame, and after all flaming or glowing combustion has ceased, it is to be observed whether or not the flame penetrated (burned through) the plaque material. In addition, no opening greater than 0.118" shall appear after the test.



## UL94 + UL1977



### UL1977

There are several standards which deal with plug and receptacle. Each of them is only for a small area of applications. It could be telecommunication, etc. The UL 1977 covers single and multipole connectors intended for factory assembly.

Requirements apply to devices taking into account intensity and voltage. The categories are as follows:

	0	30 V (42 V peak)	600 V
0	Type 0	Type 1A	
8.3 A		Type 2	
31 A	Type 1B	Type 3	
200 A		Type 4	
1,000 A	Type 4		

According to above table, the level of performance that has to be reached could be different. Most of them are explained in the following page.

### Insulating materials:

Material uses for electrical insulation, as a minimum, have to comply with the characteristics shown below:

- Minimum ratings for polymeric materials

Type	Flame rating	Relative thermal index (RTI) Electrical/mechanical w/o impact **/**
0	-	50/50
1A	HB	50/50
1B	HB	50/50
2	HB	50/50
3	HB	50/50
4	HB	50/50

\* The RTI of the material shall not be lower than the temperature measured during the Temperature Test.

\*\* For a thickness less than that for which a value has been established, the RTI of the minimum thickness with an established value shall be used.

### Assembly:

Connector has to be keyed to prevent any mismatching that can damage the machine or hurt the user. In the same way, plugs and sockets have to be equipped to protect persons against contact with live parts.

Finally the identified grounding contact shall be located so that the corresponding electrical continuity has to be completed before any other contact.

## UL94 + UL1977



### UL1977

#### Spacing:

For a 250V max connector, distance through air or over material shall be 0.047" whereas from 250V to 600V connector the spacing is 0.125" minimum. These distances have to be taken between uninsulated live parts as shown in the matrix below:

• **Applicability of spacing requirements**

Type	Uninsulated live part - uninsulated live part of opposite polarity	Uninsulated live part - uninsulated grounded metal part	Uninsulated live part - exposed dead metal part
0	No	No	No
1A	Yes	Yes	Yes
1B	Yes	Yes	No
2	Yes	Yes	Yes
3	Yes	Yes	Yes
4	Yes	Yes	Yes

An alternative way to determine voltage rating is with the Dielectric-Withstand test. If during one minute there is no arc-over or breakdown the rated voltage is given as shown below:

- a) 500 volts for a type 1B device
- b) 1,000 volts plus twice rated voltage for types 1A, 2, 3 and 4 devices.

#### Marking:

A device shall be legibly marked with the manufacturer's trade name, trade mark, or other descriptive marking by which the organization responsible for the product may be identified. (Exception: If the device is too small, or where the legibility would be difficult to attain, the manufacturer's name, trademark, or other descriptive marking may appear on the smallest unit container or carton)

The following shall be marked on the device or on the smallest unit container or carton or on a stuffer sheet in the smallest unit container or carton:

- a) The catalog number or an equivalent designation
- b) The electrical rating in both volts and amperes, if assigned
- c) Whether ac or dc, if restricted
- d) Flammability class, if identified

Example: 10A 500V UL94 V-0

## IEC 61984 & IP codes explained

### IEC 61984

The norm is dedicated to connectors with rated voltage above 50V and up to 1000V and rated currents up to 125A per contact. Depending on your application connectors should be compliant with another standard. This has to be double checked with the customer.

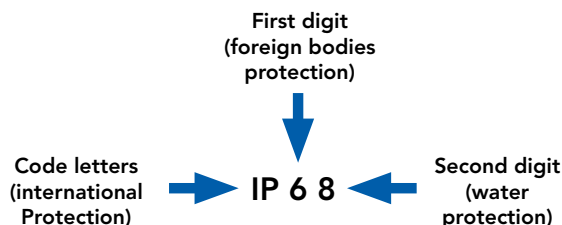
There are a lot of constructional requirements and performances specified in that standard. Most of them are illustrated in greater details hereafter.

#### Provisions for earthing:

The UTL connector is intended to be used on Class I,II and III systems (See IEC 61140) . Not like any other connector the UTL could be used to interrupt current. The "First mate Last break" contact feature is built in so any regular contact will ensure the functionality. Critically, among all of the normal assumptions we make in designing a connector, this contact has to be considered as a live part and must be protected against electric shock by double or reinforced insulation.

#### IP code:

IP is a coding system defined by the IEC 60529 to indicate the degrees of protection provided by an enclosure. The aim of this is to give information regarding the accessibility of live parts against ingress of water and other foreign bodies.



1 <sup>st</sup> digit	Degree of protection	2 <sup>nd</sup> digit	Degree of protection
0	No protection against accidental contact. No protection against solid foreign bodies.	0	No protection against water.
1	Protection against contact with any large area by hand and against large solid foreign bodies with a diameter bigger than 50 mm.	1	Drip-proof. Protection against vertical water drips.
2	Protection against contact with the fingers. Protection against solid foreign bodies with a diameter bigger than 12 mm.	2	Drip-proof. Protection against water drips up to a 15° angle.
3	Protection against tools, wires or similar objects with a diameter bigger than 2.5 mm. Protection against small solid bodies with a diameter bigger than 2.5 mm.	3	Spray-proof. Protection against diagonal water drips up to a 60° angle.
4	Same as 3 however diameter is bigger than 1 mm.	4	Splash-proof. Protection against splashed water from all directions.
5	Full protection against contact. Protection against interior injurious dust deposits.	5	Hose-proof. Protection against water (out of a nozzle) from all directions.
6	Total protection against contact. Protection against penetration of dust.	6	Protection against temporary flooding.
		7	Protection against temporary immersions.
		8	Protection against water pressure. Pressure to be specified by supplier.

UTL offers high sealing performance IP68 / 69K...  
Even in dynamic situations.

In addition to the IEC 60529 we conjointly use the DIN 40050 part 9 which is dedicated to road vehicles. The main differences are:

- **First digit:** 5 replaced by 5K, 6 by 6K. In the DIN the tested equipment is not depressurized as it is in the IEC.
- **Second digit:** 5K and 6K has been added and are equivalent respectively to 5 and 6 but with higher pressure. 9K which represents the High pressure cleaning.

9K	High pressure hose-proof. Protection against high pressure water (out of a nozzle) from all directions.
----	--

## IEC 61984 & IP codes explained

### IEC 61984

#### Overvoltage

UTL connectors are qualified to be used on systems rated at Overvoltage category III

Per the IEC 60664-1 (formerly VDE 0110) each category is linked to the end application and where the device will be implemented:

- **Category IV** (primary overcurrent protection equipment):  
Origin of the installation
- **Category III** (Any fixed installation with a permanent connection)  
Fixed installation and equipment and for cases where the reliability and the availability is subject to special requirements
- **Category II** (Domestic appliances):  
Energy consuming equipment to be supplied from the fixed installation
- **Category I** (Protected electronic circuit):  
For connection to circuit in which measurements are taken to limit transient overvoltage.

#### Pollution degree

Per the IEC 60664-1 (formerly VDE 0110) the environment affects the performance of the insulation. Particles can build a bridge between two metal parts. As a rule dust mixed with water can be conductive and more generally speaking metal dust is conductive. Finally, the standard defines 4 levels of pollution:

- **Degree 1** (Air conditioned dry room):  
No pollution or only dry, non conductive pollution occurs. The pollution has no influence.
- **Degree 2** (Personal computer in a residential area):  
Only non conductive pollution occurs except that occasionally a temporary conductivity caused by condensation is to be expected.
- **Degree 3** (Machine tools):  
Conductive pollution occurs or dry non-conductive pollution occurs which becomes conductive due to condensation which is to be expected.
- **Degree 4** (Equipment on roofs, locomotives):  
Continuous conductivity occurs due to conductive dust, rain or other wet conditions.

Finally, the harsher the environment is, the longer clearance and creepage distances should be. Nonetheless, according the IEC 61984, enclosure rated at IP54 or higher can be dimensioned for a lower pollution degree. This applies to mated connectors disengaged for test and maintenance.

#### Marking

The marking should give enough details to the user to know what the main characteristics are and without going deep in technical documentation. Below examples identify the suitability of the connector:

- **Example 1:**  
Marking of a connector with rated current 16A, rated voltage 400V, rated impulse voltage 6kV and pollution degree 3, 2 and 1 for use in any system, preferably unearthed or delta-earthed systems:

16A 400V 6kV 3

- **Example 2:**  
Marking of a connector with rated current 16A, rated insulation voltages line-to-earth 250V, line-to-line 400V, rated impulse voltage 4kV and pollution degree 3, 2 and 1 for use in earthed systems:

16A 250V 400V 4kV 3

## IEC 61140 explained

### IEC 61140

On a daily basis, we are using many electrical appliances, some are grounded, and some are not. The levels of grounding protection are clearly defined by the International Electrotechnical Commission standard IEC 61140, a standard that has an influence on our connectors and how they should be used; our customers therefore need to pay particular attention to the three categories defined within this standard to ensure compatibility with their system. Everything explained hereafter is valid for connectors not intended to interrupt current.

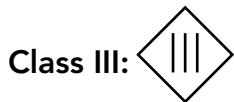


Devices which belong to this category have their chassis grounded via the ground wire (green/yellow in Europe, green in the US, Canada and Japan). A fault in the appliance might cause a live conductor to energize the casing. In this case, the current flows to the ground conductor and the circuit interrupter will cut off the power supply. In case of the UTL series, the envelope cannot become live since it is made in plastic. There is no special care to be taken to attach the connector shell to the ground.



Products in this category have reinforced insulation, meaning that the casing does not need to be connected to ground. In this case, the possibility of electric shock has been removed. Most of the time, reinforced insulation means double insulation, i.e. the second layer will take over the first one in case the first one fails. The UTL series could be used in that condition. We recommend to contact SOURIAU for further explanation.

Note: UL 1310 also defines a class II device, but in that case this is just to set the upper limit of use, like a wall charger for our cell phone.



In this category, electrical appliances are fed by a low voltage source (<48VAC or < 120VDC). In normal conditions live conductors can be accessible without any risk for the end user. No particular attention needs to be taken in regards to UTL series when it comes to a class III device.

### Conclusion :

UTL series can be used in Class I, II or III environments but each category affects the product performance. Throughout the catalog, current and voltage ratings have been given for class I devices keeping in mind the ground conductor needs to be attached according to recommended wiring instructions.

Note: Special applications like recreational vehicles are not under the scope of the IEC 61140.

## What is NEMA rating?

- NEMA ratings vs IP ratings

Whereas IP ratings only consider protection against ingress of foreign bodies (first digit) and ingress of water (second digit), NEMA ratings consider these but also verify protection from external ice, corrosive materials, oil immersion, etc.

The correlation between NEMA & IP being limited only to dust and water, we can state that a NEMA type is equivalent to an IP rating but it is not possible to say the contrary.

Below a list of some NEMA standards:

Enclosure rating	IP20	IP22	IP55	IP64	IP65	IP66	IP67
Type 1	•						
Type 3				•			
Type 3R		•					
Type 3S				•			
Type 4						•	
Type 4X						•	
Type 6							•
Type 12			•				
Type 13					•		

- indicates compliance

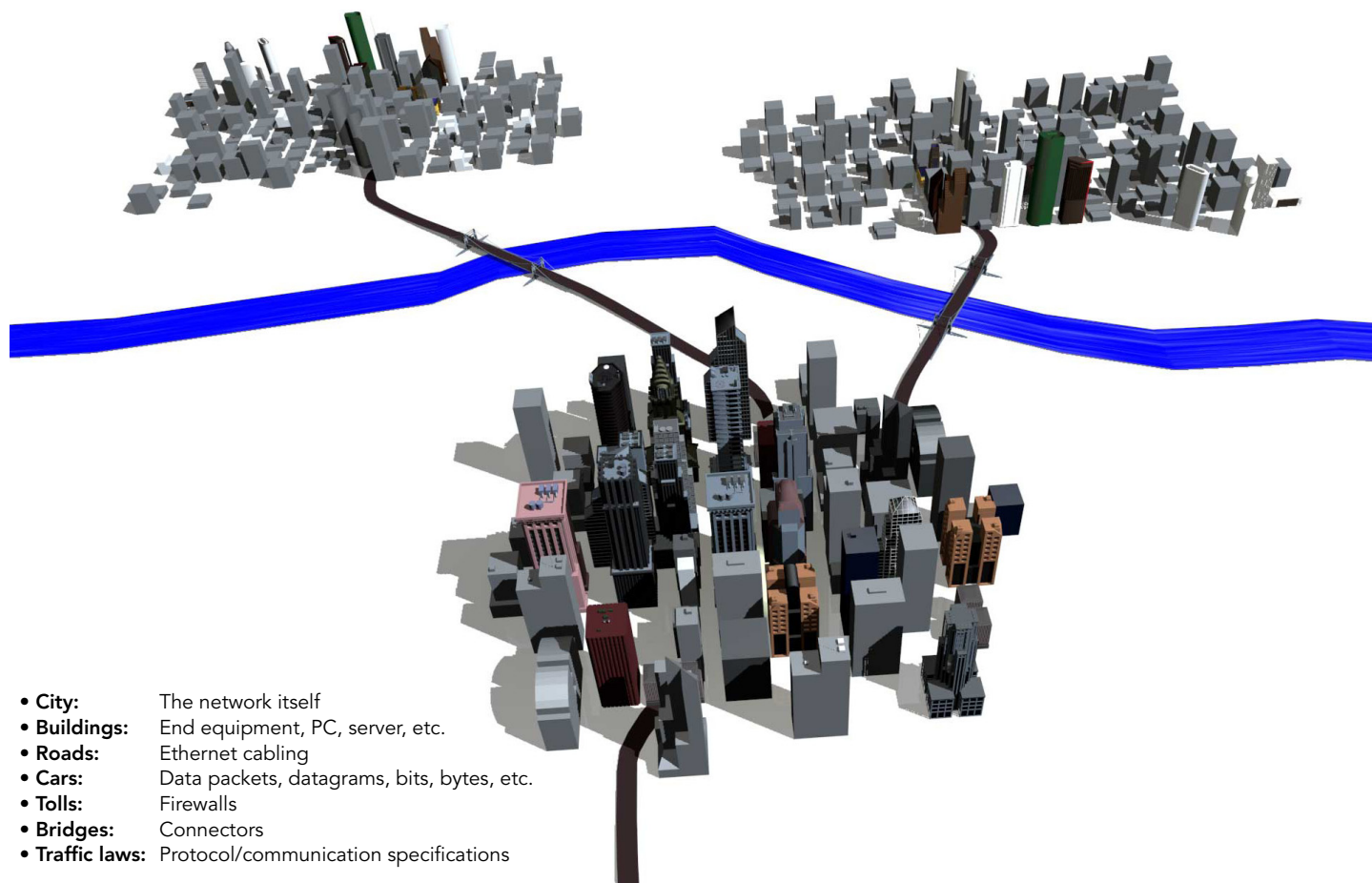


Type 6 rating can be either Type 6 or Type 6P - please see below:

6	IP67	Enclosures constructed for either indoor or outdoor use to provide a degree of protection to personnel against incidental contact with the enclosed equipment, falling dirt, hose-directed water, the entry of water during <b>occasional temporary</b> submersion at a limited depth and damage from external ice formation.
6P	IP67	Enclosures constructed for either indoor or outdoor use to provide a degree of protection to personnel against incidental contact with the enclosed equipment, falling dirt, hose-directed water, the entry of water <b>during prolonged</b> submersion at a limited depth and damage from external ice formation.

## Ethernet for the Layman

In order to explain basic Ethernet theory, we can use a functional comparison to a busy city with highways, buildings and cars. To illustrate this, the table below provides correlation between the different components/pieces/links that encompass Ethernet network connectivity, and the larger scale infrastructure of a metropolitan city.



### Ethernet basics

Ethernet is a widely used communications protocol that is used to transmit data packets (datagrams) between network devices. Imagine a highway in a large metropolitan area six lanes wide at rush hour. The vehicles on the highway need rules to follow so that they get to their destination without crashing into each other. In an Ethernet network link, there could be 100 million bits of information transmitted in one second. In the Ethernet standard, there exist rules to govern packet structure, transmission requirements, error correction, communication with end equipment, etc.

### Examining the differences between 100Mhz, 100 Base TX, Cat5e/Cat6. What does it all mean?

When discussing connectors and Ethernet, there are a few key details to be aware of:

- 100Mhz is a measurement of Frequency for the signal
  - Comparable to the Speed Limit of a highway
- 100BaseTX (or Fast Ethernet) is an Ethernet link standard and identifies available link bandwidth. The bandwidth is measured in units of Mbits/S (megabits per second)
  - Comparable to the number of cars that pass a point in one second
- Cat5e/Cat6 are an EIA/TIA standard for performance and physical characteristics for cables and connectors
  - Comparable to performance specifications of the car and highway.

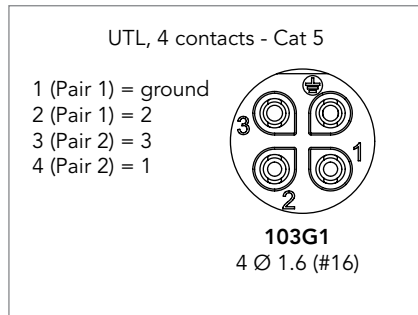
In connectors and cables, Fast Ethernet uses 2 pairs. One for transmit and one for receive. This way data traffic can flow in both directions simultaneously.



## Ethernet for the Layman

### SOURIAU offering:

Standard solutions.



### What about using coax contacts?

Ethernet twisted pairs carry a symmetrical (balanced) signal. Once terminated into a coax contact, the inner core will be protected by a shield - but not the outer contact. Because of EMI issues, the signal will no longer be balanced. Conclusion - it does not work and is not recommended.

### What about using Quadrax contacts?

The Quadrax contact is used in railway applications because of the use of quad cable. In this specific market, the standard Ethernet twisted pairs wires cannot be offered, they are too thin and often solid (not stranded).

In the rest of industry, UTP (Unshielded Twisted Pairs) cables are widely used. The Quadrax contact is not designed to terminate them. And thus, are not advised for industrial applications.

### Conclusion

To carry 100Mb/s data signal, 100 BaseTX or Fast Ethernet recommends the use of Cat5e connectors as well as Cat5e cable with the support of a 100MHz signal. Nevertheless, a 100Mb/s signal can be transmitted in certain conditions (short distance, only one connector, lower frequency but a different code) thru many other connection materials - not necessarily Cat5e rated.

## RS-485 for the Layman

RS-485 signals are used in a wide range of applications (from computers and networks to building automation and stage lighting). In addition, it may be used to control video surveillance systems or to interconnect security control panels and devices such as access control card readers.

### RS-485 basics

RS-485 only specifies electrical characteristics of the generator and the receiver. It does not specify or recommend any communications protocol, only the physical layer. An RS-485 network consists of a single controller (the master) and 1 up to 32 slave devices (the receivers). For example, a lighting console is frequently employed as the controller for a network of slave devices like dimmers, fog machines and intelligent lights.

### Physical layer

The standard transmission medium is twisted-pair cable of either #22 or #24 AWG solid wire. Typically, a minimum of two lines are used but a third reference wire may be accommodated. Four-wire cables can also be used if full-duplex operation is desired. The cables may be shielded or unshielded, with unshielded the most common.

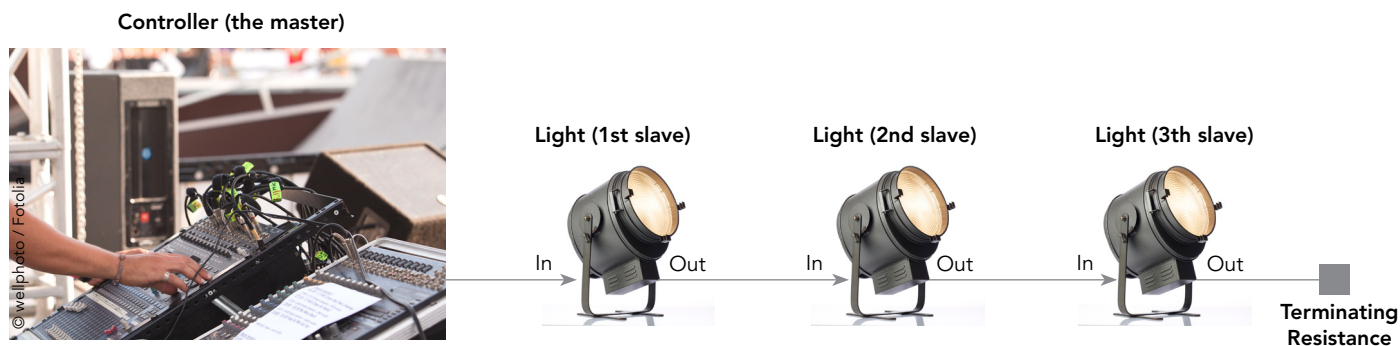
The nominal characteristic impedance is 100 or 120 Ω. It also defines three generator interface points (signal lines); "A", "B" and "C". The data is transmitted on "A" and "B" with "C" being used as a ground reference.

Terminating load resistors are required to ensure a matched line condition. Without terminating load resistors, reflections of fast driver edges can cause multiple data edges and subsequent data/signal corruption.

### What is DMX?

The DMX for Digital Multiplex is the protocol for stage lighting applications using RS-485 standard.

### Example of a DMX simple network



### SOURIAU offering:

Duplex	
UTL, 6 contacts - Power + RS 485 1 Twisted pair	
1 (Pair 1) = A	
2 (Pair 1) = B	
Ground = C	
Phase = 1	<b>102G1W3</b>
Neutral = 2	3 Ø 1.0 (#20)
Ground = Ground	3 Ø 1.6 (#16)

Full Duplex	
UTL, 8 contacts - Power + RS 485 2 Twisted pairs	
1 (Pair 1) = A	
2 (Pair 1) = B	
3 (Pair 2) = E	
4 (Pair 2) = D	
Ground = C	
Phase = 1	<b>122G1W5</b>
Neutral = 2	5 Ø 1.0 (#20)
Ground = Ground	3 Ø 1.6 (#16)

## Notes

A large grid of graph paper for taking notes, consisting of 20 columns and 30 rows of small squares.

# UTL SERIES

# Appendices

■ #16 coaxial contacts - Cabling notices .....	78
■ Glossary of terms .....	85
■ Part number index .....	86

## #16 coaxial contacts

### Coaxial cable - Contact monocrimp and multipiece

Cable type	Impedance $\Omega$	Contact type	$\varnothing$ over jacket		$\varnothing$ over dielectric		Inner cond size Ext. $\varnothing$ inch	$\varnothing$ outer braid		Male contact kit for coaxial cable	Female contact kit for coaxial cable
			inch	mm	inch	mm		inch	mm		
RG161/U	75	Multi piece	0.090"	2.29	0.057"	1.45	-	-	-	<b>RMDXK10D28</b>	<b>RCDXK1D28</b>
RG179A/U	75		0.105"	2.67	0.063"	1.6	0.011"	0.084"	2.13 max		
RG179B/U	75		0.105"	2.67	0.063"	1.6	0.011"	0.084"	2.13 max		
RG187/U	75		0.109"	2.79 max	0.059"	1.52	0.011"				
RG188/U	50		0.109"	2.79 max	0.059"	1.52	0.020"	0.078"	1.98 max		
RG174/U	50		0.114"	2.92	0.059"	1.52	0.018"	0.088"	2.24 max		
AMPHENOL 21-598	50		0.105"	2.67	0.059"	1.52	0.018"	-	-		
RG196/U	50		0.079"	2.03 max	0.034"	0.086	0.011"	-	-		
RG178A/U	50		0.075"	1.91	0.034"	0.86	0.011"	0.054"	1.37 max		
RG/188A/U	50	Mono crimp	0.110"	2.79	0.059"	1.52	0.020"	0.078"	1.98 max	<b>RMDX6036D28</b>	<b>RCDX6036D28</b>
KX21TVT (europe) RG178 B/U	50		0.075"	1.91	0.034"	0.86	0.011"	0.054"	1.37 max	<b>RMDX6034D28</b>	<b>RCDX6034D28</b>
RG178 / BU	50		0.075"	1.91	0.034"	0.86	0.011"	0.054"	1.37 max	<b>RMDX6050D28</b>	<b>RCDX6016D28</b>
RG174/U	50		0.115"	2.92	0.059"	1.52	0.018"	0.088"	2.24 max	<b>RMDX6032D28</b>	<b>RCDX6032D28</b>
RG188A/U	50		0.109"	2.79	0.059"	1.52	0.020"	0.078"	1.98 max	<b>RMDX6036D28</b>	<b>RCDX6036D28</b>
RG316/U	50		0.107"	2.72	0.06"	1.52	0.020"	0.078"	2.05 max	<b>RMDX6036D28</b>	<b>RCDX6036D28</b>
raychem 5024A3111	50		0.120"	3.05	0.083"	2.11	0.025"	0.097"	2.46	<b>RMDX6052D28</b>	<b>RCDX6052D28</b>
raychem 5026e1614	50		0.083"	2.11	0.050"	1.27	0.018"	0.067"	1.7	<b>RMDX6036D28</b>	<b>RCDX6036D28</b>
surprenant pn 8134	-		Multi piece	0.100"	2.54	0.058"	1.47	0.011"	-	-	<b>RMDXK10D28</b>
PRD PN 247AS-C1123-001	-	Mono crimp	0.103"	2.62	0.059"	1.52	0.020"	0.078"	1.98	<b>RMDX6018D28</b>	<b>RCDX6018D28</b>
PRD PN 247AS-C1251	-		0.092"	2.34	0.050"	1.27	0.025"	0.067"	1.7	<b>RMDX6018D28</b>	<b>RCDX6018D28</b>
JUDD C15013010902	-		0.087"	2.13	0.050"	1.27	0.018"	0.066"	1.67	<b>RMDX6036D28</b>	<b>RCDX6036D28</b>
CDC PIN22939200	-		0.090"	2.29	0.048"	1.22	0.011"	0.064"	1.63	<b>RMDX6046D28</b>	<b>RCDX6016D28</b>
CDC PIN22939200	-		0.090"	2.29	0.048"	1.22	0.011"	0.064"	1.63	<b>RMDX6050D28</b>	<b>RCDX6016D28</b>
CDC PIN245670000	-		0.104"	2.64	0.067"	1.7	0.011"	0.083"	2.11	<b>RMDX6050D28</b>	<b>RCDX6016D28</b>
ampex	-		0.114"	2.9	0.075"	1.91	0.014"	0.090"	1.29	<b>RMDX6032D28</b>	<b>RCDX6032D28</b>
TI PN 920580	-		0.070"	1.78	0.038"	0.96	0.018"	0.054"	1.37	<b>RMDX6024D28</b>	<b>RCDX6024D28</b>
Honeywell PN 58000062	-		0.120"	3.05	0.077"	1.96	0.016" solid	0.096"	2.44	<b>RMDX6026D28</b>	<b>RCDX6026D28</b>
-	-		0.104"	2.64	0.067"	1.7	0.011"	-	2.11	<b>RMDX6050D28</b>	-
-	-		0.090"	2.29	0.048"	1.22	0.011"	-	1.63	<b>RMDX6050D28</b>	-
-	-		0.114"	2.9	0.075"	1.91	0.014"	-	1.29	<b>RMDX6032D28</b>	<b>RCDX6032D28</b>
-	-		0.070"	1.78	0.038"	0.96	0.018"	-	1.37	<b>RMDX6024D28</b>	<b>RCDX6024D28</b>
-	-		0.120"	3.05	0.077"	1.96	0.016"	-	2.44	<b>RMDX6026D28</b>	<b>RCDX6026D28</b>

## #16 coaxial contacts

### Twisted cable - Contact monocrimp and multipiece

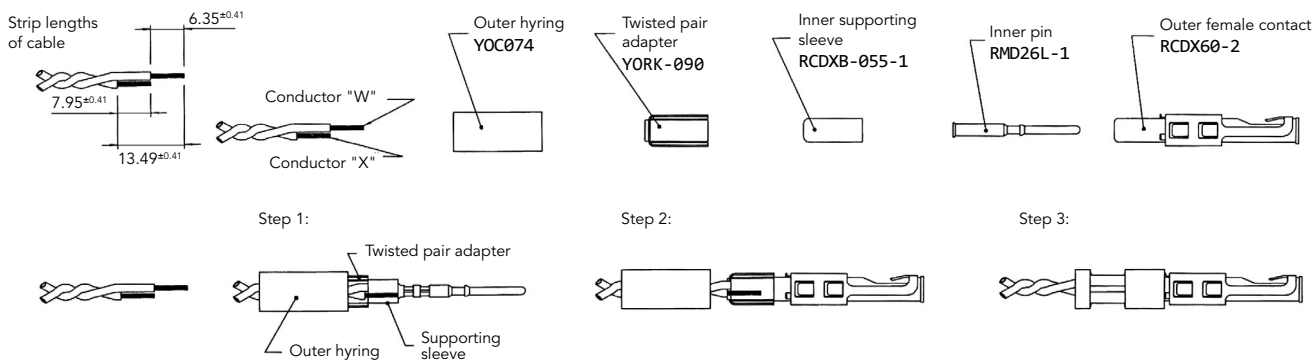
Cable type	Contact type	Inner AWG cond	Ø over jacket (single wire)		Inner cond size		Ø outer braid		Male contact kit for coaxial cable	Female contact kit for coaxial cable
			inch	mm	Stranded definition	Ext. Ø inch	inch	mm		
2#24 stranded MIL-W-16878 type B	Multi piece	24	0.049"	1.24 max	7/.008		-	-	RMDXK1ØD28	RCDXK1D28
2 #24 solid MIL-W-76 type LW		24	0.047"	1.12 max	1/.0201		-	-	RMDXK1ØD28	RCDXK1D28
2 #26 stranded MIL-W-76 type LW or MIL-W-16878 type B&E		26	0.043"	1.09 max	7/.0063	0.006"	-	-	RMDXK1ØD28	RCDXK1D28
2 #28 solid MIL-W-81822/3		28	0.028"	0.71 max			-	-	RMDXK1ØD28	RCDXK1D28
Twisted pair 1/.201 solid MIL-W-76 type LW or MIL-W-16878		26	0.044"	1.12 max	1/.0201	0.020"	-	-	RMDXK1ØD28	RCDXK1D28
Twisted pair solid MIL-W-81822/3		28	0.028"	0.71 max	1/.0126	0.012"	-	-	RMDXK1ØD28	RCDXK1D28
#28 7/.0036 per Hitachi spec ec-711 (13-2820)	Mono crimp	-	0.046"	1.17	7/.0036	-	-	-	RMDX6Ø31D28 + YØRXØ9Ø	RCDX6Ø31D28 + YØRXØ9Ø
20218201		-	0.028"	0.71	-	-	-	-	RMDX6Ø31D28 + YØRXØ9Ø	RCDX6Ø31D28 + YØRXØ9Ø
#30 solid		-	0.025"	0.64	-	-	-	-	RMDX6Ø15D28 + YØRXØ9Ø	RCDX6Ø15D28 + YØRXØ9Ø
#26 7/.0063		26	0.028"	0.71	7/.063	0.006"	-	-	RMDX6Ø31D28 + YØRXØ9Ø	RCDX6Ø31D28 + YØRXØ9Ø
#26 19/.004		26	0.049"	1.24	19/.004	-	-	-	RMDX6Ø19D28 + YØRXØ9Ø	RCDX6Ø19D28 + YØRXØ9Ø
#24 7/.008		24	0.049"	1.24	7/.008	-	-	-	RMDX6Ø19D28 + YØRXØ9Ø	RCDX6Ø19D28 + YØRXØ9Ø
#24 19/.005		24	0.057"	1.45	19/.005	-	-	-	RMDX6Ø19D28 + YØRXØ9Ø	RCDX6Ø19D28 + YØRXØ9Ø
-		26	0.049"	1.25	-	-	0.748" x 0.003"	19x0.1	RMDX6Ø19D28 + YØRXØ9Ø	RCDX6Ø19D28 + YØRXØ9Ø
-		24	0.049"	1.25	-	-	0.275" x 0.007"	7x0.2	RMDX6Ø19D28 + YØRXØ9Ø	RCDX6Ø19D28 + YØRXØ9Ø
-		24	0.057"	1.45	-	-	0.748" x 0.005"	19x0.13	RMDX6Ø19D28 + YØRXØ9Ø	RCDX6Ø19D28 + YØRXØ9Ø
-		26	0.027"	0.7	-	-	0.275" x 0.006"	7x0.16	RMDX6Ø31D28 + YØRXØ9Ø	RCDX6Ø31D28 + YØRXØ9Ø

# #16 coaxial contacts

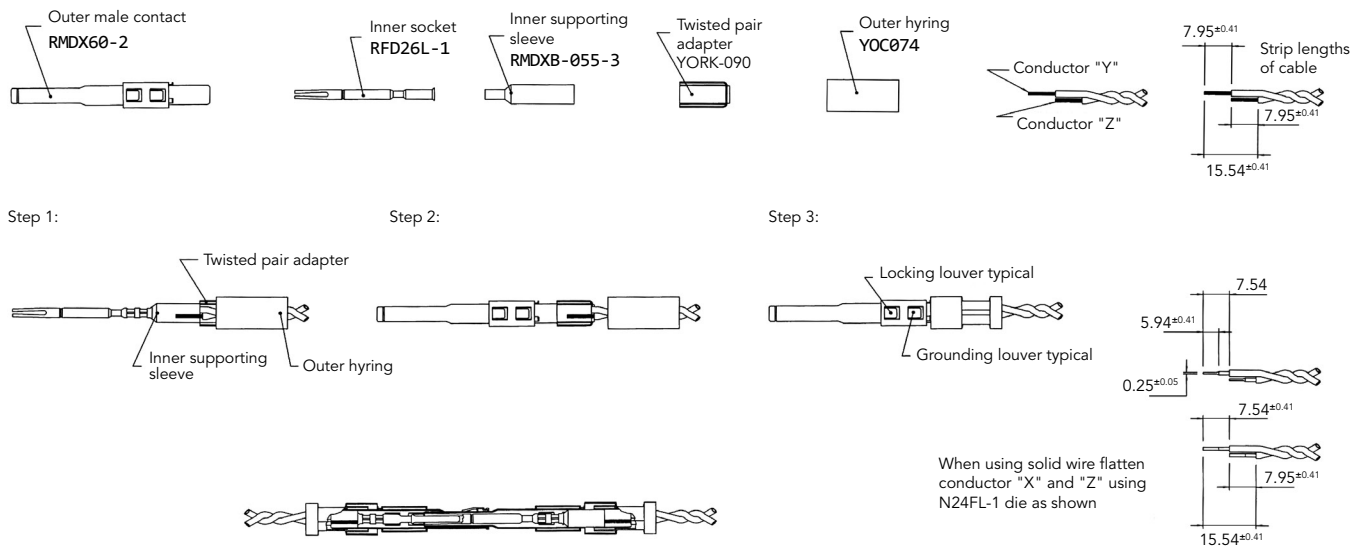
## Twisted pair cable multipiece contact cabling

Cable reference	Contact type	Male contact	Female contact	Crimp tool	Die set	Stop bushing	Cable strip length			Inner conductor crimp		Braid crimp	
							A	B	C	g dim	t dim	g dim	t dim
2#24 stranded mil w 16878 type B	Multi piece	RMDXK10D28	RCDXK1D28	M10S1J	-	-				See assembly notice			
2 #24 solid mil-w-76 type LW													
2 #26 stranded mil w 76 type LW or mil w16878 type B & E													
2 #28 solid mil-w-81822/3													
twisted pair 1/.201 solid mil w 76 type LW or mil w 16878													
twisted pair solid mil w 81822/3													

### Female contact



### Male contact



Note: all dimensions are in inches



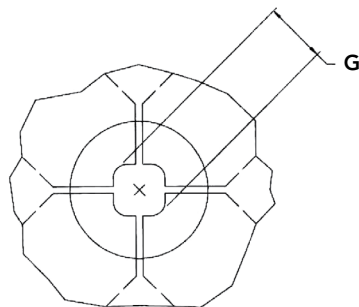
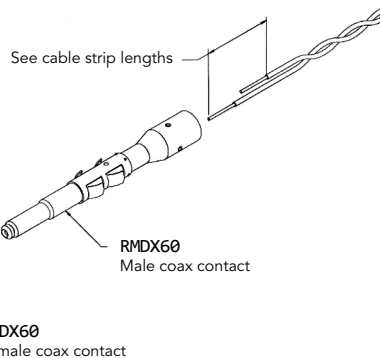
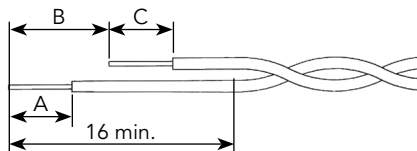
# #16 coaxial contacts

## Twisted pair cable monocrimp contact cabling

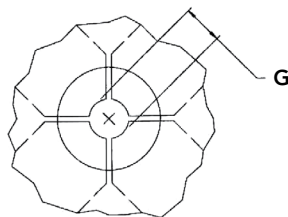
Cable reference	Contact type	Male contact	Female contact	Crimp tool	Die set	Stop bushing	Cable strip length			Inner conductor crimp		Braid crimp						
							A	B	C	g dim	t dim	g dim	t dim					
#28 7/.0036 per Hitachi spec ec-711 (13-2820)	Mono crimp	RMDX6031D28 + YORX090	RCDX6031D28 + YORX090	M10S1J	S80	SL105	0.185"	0.240"	0.170"	0.051" to 0.044"	0.055" to 0.048"	0.116" to 0.111"	0.120" to 0.114"					
20218204							0.155"	0.240"	0.124"	0.051" to 0.046"	0.055" to 0.048"	0.116" to 0.111"	0.120" to 0.109"					
#30 solid							0.185"	0.240"	0.159"	0.048" to 0.044"	0.053" to 0.048"	0.116" to 0.111"	3.12 to 0.116"					
#26 7/.0063							0.185"	0.240"	0.159"	0.051" to 0.046"	0.055" to 0.048"	0.116" to 0.111"	0.120" to 0.114"					
#26 19/.004							0.185"	0.240"	0.159"	0.048" to 0.046"	0.053" to 0.048"	0.111" to 0.109"	0.122" to 0.116"					
#24 7/.008							0.185"	0.240"	0.159"	0.048" to 0.046"	0.053" to 0.048"	0.111" to 0.109"	0.122" to 0.116"					
#24 19/.005							0.185"	0.240"	0.159"	0.048" to 0.046"	0.053" to 0.048"	0.111" to 0.109"	0.122" to 0.116"					
26 AWG (19x0.1)							M10SG8 ASSY'Y TOOL DIE SET STOP BUSHING M10S1J TOOL	0.185"	0.240"	0.159"	0.048" to 0.046"	0.053" to 0.048"	0.111" to 0.109"	0.122" to 0.116"				
24 AWG (7x0.2)																		
24 AWG (19x0.13)																		
26 AWG (7x0.16)																		
											M10SG8 crimping kit	0.185"	0.236"	0.157"				
											S80	SL105						

- Select appropriate monocrimp coax twisted pair contact and cable combination.
- Select appropriate crimp tooling (hand tool, S-die set, stop bushing).
- Strip the twisted pair cable to the designated wire strip lengths.
- Insert the stripped cable into the contact. One cable is to be inserted into the inside diameter of hyring, and pushed forward into the inner contact. The second cable is to be inserted between the outside diameter of hyring and the inside diameter of the outer contact body.
- Crimp the contact.

Cable strip length



Braid crimp (G) to be measured with die set fully closed



Inner conductor crimp (G) to be measured with die set fully closed

Note: all dimensions are in inches

# #16 coaxial contacts

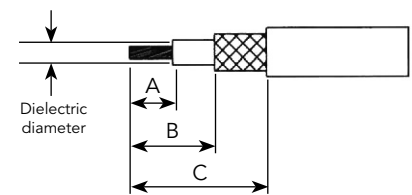
## Multipiece male contact with coax cable

Cable reference	Contact	Hyring complementary compoments	Outer contact crimp tool		Inner contact crimp tool		Cable strip length		
			Crimp tool M10S1J		Crimp tool M10S1J				
			Die set	Stop bushing	Die set	Stop bushing	A	B	C
RG161U	Male: RMDXK10D28	YOC074	S221	SL471	S23D2	SL46D2	0.172"	0.312"	0.625"
RG179							0.172"	0.312"	0.625"
RG187U							0.172"	0.312"	0.625"
RG188/U							0.172"	0.312"	0.625"
RG174/U		YOC074 + RMDXB0553			0.172"		0.312"	0.625"	
RG178A/U					0.296"		0.359"	0.690"	
RG196U					0.296"		0.359"	0.690"	
AMPHENOL 21-598		YOC074			-		0.172"	0.312"	0.625"
surprenant pn 8134					-		0.172"	0.312"	0.625"

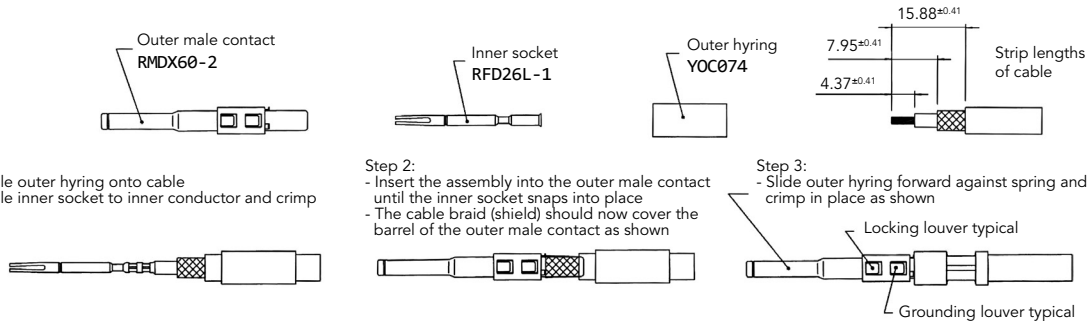
### Multipiece kit details

RMDXK10D28 includes	RMDX602D28	Outer contact
	RFD26L1D28	Inner contact
	YOC074	Outer hyring
	RMDXB0553	Inner supporting sleeve

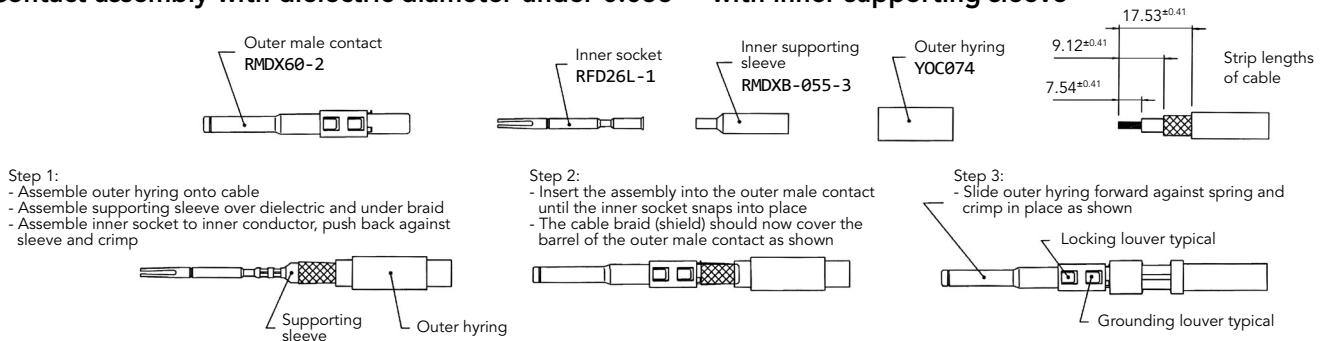
### Cable strip length



### Contact assembly with dielectric diameter over 0.055" - without inner supporting sleeve



### Contact assembly with dielectric diameter under 0.055" - with inner supporting sleeve



Note: all dimensions are in inches

# #16 coaxial contacts

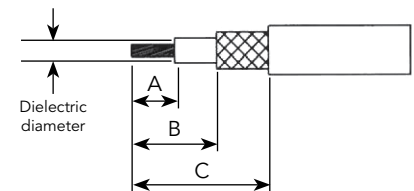
## Multipiece female contact with coax cable

Cable reference	Contact	Hyring complementary compoments	Outer contact crimp tool		Inner contact crimp tool		Cable strip length		
			Crimp tool M10S1J		Crimp tool M10S1J		A	B	C
			Die set	Stop bushing	Die set	Stop bushing			
RG161U	Female: RCDXK1D28	YOC074	S221	SL471	S23D2	SL46D2	0.172"	-	0.438"
RG179							0.172"		0.438"
RG187U							0.172"		0.438"
RG188/U							0.172"		0.438"
RG174/U		YOC074 + RMDXB0553			0.172"		0.438"		
RG178A/U					0.250"		0.438"		
RG196U					0.250"		0.438"		
AMPHENOL 21-598		YOC074			-		0.172"		0.438"
surprenant pn 8134					-		0.172"		0.438"

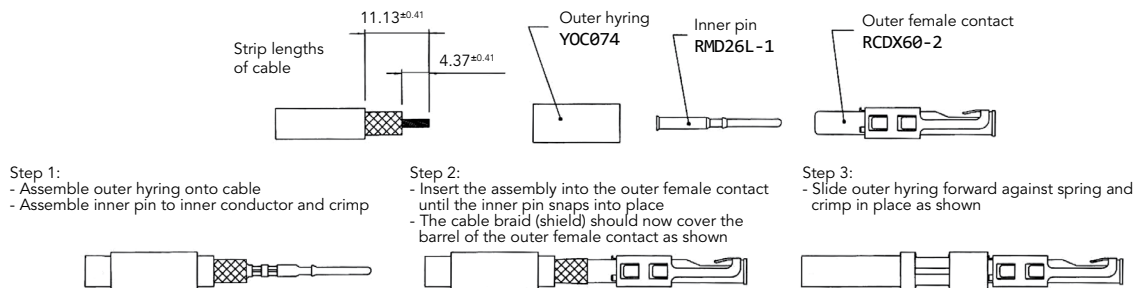
### Multipiece kit details

RCDXK1D28 includes	Part	Description
	RCDX602D28	Outer contact
	RMD26L1D28	Inner contact
	YOC074	Outer hyring
	RCDXB0553	Inner supporting sleeve

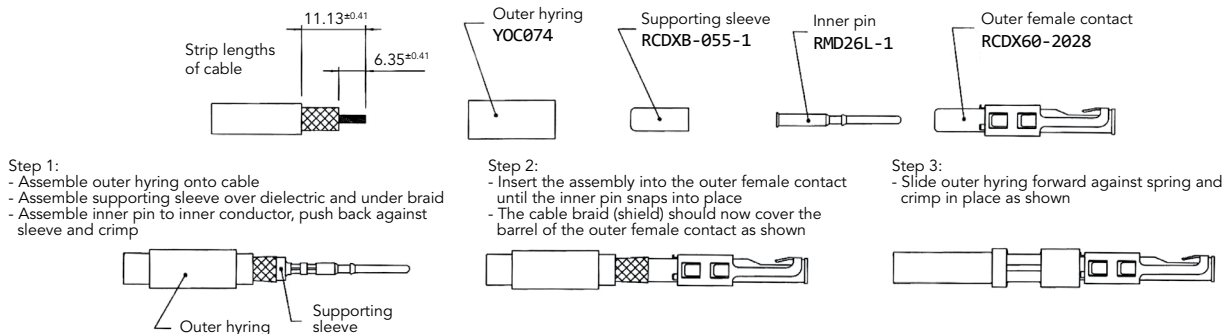
### Cable strip length



### Contact assembly with dielectric diameter over 0.055" - without inner supporting sleeve



### Contact assembly with dielectric diameter under 0.055" - with inner supporting sleeve



Note: all dimensions are in inches

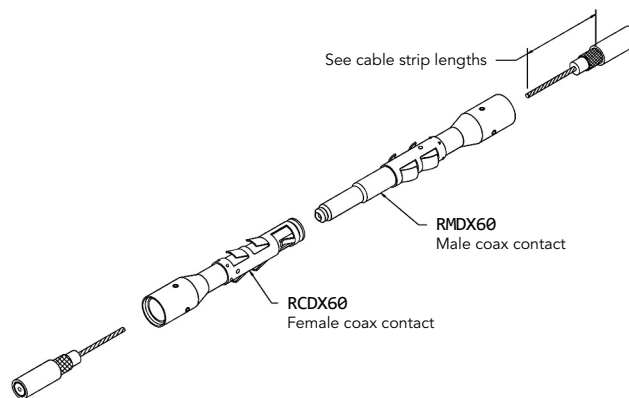
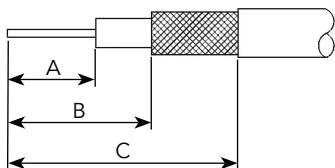
## #16 coaxial contacts

### Coax cable with monocrimp contact cabling

Cable reference	Male contact	Female contact	Crimp tool	Die set	Stop bushing	Cable strip length			Inner conductor crimp		Braid crimp		
						A	B	C	g dim	t dim	g dim	t dim	
CDC PIN22939200	RMDX6046D28	RCDX6016D28	M1051J	S80	SL105	0.164"	0.235"	0.335"	0.051"/0.046"	0.055"/0.048"	0.109"/0.103"	0.118"/0.111"	
CDC PIN22939200	RMDX6046D28	RCDX6016D28		S87	SL105	0.200"	0.250"	0.350"	0.051"/0.046"	0.055"/0.048"	0.109"/0.103"	0.118"/0.111"	
CDC PIN245670000	RMDX6050D28	RCDX6016D28		S80	SL105	0.200"	0.250"	0.350"	0.051"/0.046"	0.055"/0.048"	0.116"/0.111"	0.122"/0.116"	
KX21TVT (europe) RG178 B/U	RMDX6034D28	RCDX6034D28		S82	SL105	0.200"	0.250"	0.350"	0.051"/0.046"	0.051"/0.046"	0.111"/0.107"	0.120"/0.114"	
RG178 / BU	RMDX6050D28	RCDX6016D28		S87	SL105	0.200"	0.250"	0.350"	0.051"/0.046"	0.055"/0.048"	0.109"/0.103"	0.118"/0.111"	
ampex	RMDX6032D28	RCDX6032D28		S80	SL105	0.200"	0.250"	0.459"	0.051"/0.046"	0.055"/0.048"	0.116"/0.111"	0.122"/0.116"	
TI PN 920580	RMDX6024D28	RCDX6024D28		S82	SL105	0.200"	0.250"	0.350"	0.053"/0.046"	0.056"/0.050"	0.112"/0.107"	0.120"/0.114"	
RG174/U	RMDX6032D28	RCDX6032D28		S80	SL105	0.200"	0.250"	0.459"	0.051"/0.046"	0.055"/0.048"	0.116"/0.111"	0.122"/0.116"	
Honeywell PN 58000062	RMDX6026D28	RCDX6026D28		S82	SL105	0.200"	0.250"	0.350"	0.053"/0.046"	0.056"/0.050"	0.112"/0.107"	0.120"/0.114"	
RG188A/U	RMDX6036D28	RCDX6036D28		S80	SL105	0.200"	0.250"	0.459"	0.051"/0.046"	0.055"/0.048"	0.116"/0.111"	0.122"/0.116"	
RG316/U	RMDX6036D28	RCDX6036D28		S80	SL105	0.200"	0.250"	0.459"	0.051"/0.046"	0.055"/0.048"	0.116"/0.111"	0.122"/0.116"	
PRD PN 247AS-C1123-001	RMDX6018D28	RCDX6018D28		M105G8 ASSY'Y TOOL DIE SET STOP BUSHING M1051J TOOL			0.200"	0.250"	0.350"	0.048"/0.046"	0.053"/0.048"	0.114"/0.109"	0.122"/0.116"
PRD PN 247AS-C1251	RMDX6018D28	RCDX6018D28		M105G8 ASSY'Y TOOL DIE SET STOP BUSHING M1051J TOOL			0.200"	0.250"	0.350"	0.048"/0.046"	0.053"/0.048"	0.114"/0.109"	0.122"/0.116"
raychem 5024A3111	RMDX6052D28	RCDX6052D28		S88	SL105	0.200"	0.250"	0.459"	0.053"/0.050"	0.057"/0.051"	0.114"/0.109"		
raychem 5026e1614	RMDX6036D28	RCDX6036D28		M105G8 ASSY'Y TOOL DIE SET STOP BUSHING M1051J TOOL			0.200"	0.250"	0.350"	0.048"/0.046"	0.053"/0.048"	0.114"/0.109"	0.122"/0.116"
JUDD C15013010902	RMDX6036D28	RCDX6036D28		M105G8 ASSY'Y TOOL DIE SET STOP BUSHING M1051J TOOL			0.200"	0.250"	0.350"	0.048"/0.046"	0.053"/0.048"	0.114"/0.109"	0.122"/0.116"
inner cond. #30, braid diam 2.64	RMDX6050D28	-		S80	SL105	0.200"	0.250"	0.350"	-	-	-	-	
inner cond. #30, braid diam 2.29	RMDX6050D28	-		S87	SL105	0.165"	0.250"	0.334"	-	-	-	-	
inner cond. #28, braid diam 2.9	RMDX6032D28	RCDX6032D28		S80	SL105	0.200"	0.250"	0.460"	-	-	-	-	
inner cond. #26, braid diam 1.78	RMDX6024D28	RCDX6024D28		S82	SL105	0.200"	0.250"	0.350"	-	-	-	-	
inner cond. #26, braid diam 3.05	RMDX6026D28	RCDX6026D28	S82	SL105	0.200"	0.250"	0.350"	-	-	-	-		

- Select appropriate cable and contact combination.
- Select appropriate crimp tooling (hand tool, S-die set, stop bushing).
- Strip coax cable to the designated wire strip lengths.
- Insert the stripped coax into the rear of the contact.
- Crimp the contact.

Cable strip length



## Glossary of terms

- **Clearance**

Per the IEC 60664-1 it is the shortest distance between two conductive parts even over the air.

- **Creepage distance**

Per the IEC 60664-1 it represents the shortest distance along the surface of the insulating material between two conductive parts.

- **Working voltage**

Per the IEC 60664-1 it is the highest r.m.s. value of A.C. or D.C. voltage across any particular insulation which can occur when the equipment is supplied at rated voltage.

- **Rated impulse voltage**

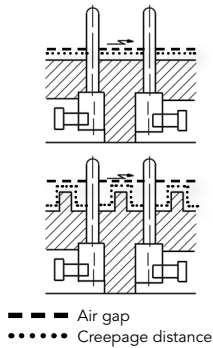
Impulse withstands voltage value assigned by the manufacturer to the equipment or to a part of it characterizing the specified withstand capability of its insulation against transient overvoltage.

- **Working current**

It is the maximum continuous and not interrupted current able to be carried by all contacts without exceeding the maximum temperature of the insulating material.

- **Transient voltage**

Extract from the IEC 60664-1: Short duration overvoltage of a few millisecond or less, oscillatory or non-oscillatory, usually highly damped.



- **CTI (Comparative Tracking Index)**

The CTI value is commonly used to characterize the electrical breakdown properties of an insulating material. It allows users to know the tendency to create creepage paths. This value represents the maximum voltage after 50 drops of ammonium chloride solution without any breakdown.

- **RTI (Relative Temperature Index):**

Extract from ULs website:

Maximum service temperature for a material, where a class of critical property will not be unacceptably compromised through chemical thermal degradation, over the reasonable life of an electrical product, relative to a reference material having a confirmed, acceptable corresponding performance defined RTI.

- **RTI Elec:** Electrical RTI, associated with critical electrical insulating properties.

- **RTI Mech Imp:** Mechanical Impact RTI, associated with critical impact resistance, resilience and flexibility properties.

- **RTI Mech Str:** Mechanical Strength (Mechanical without Impact) RTI, associated with critical mechanical strength where impact resistance, resilience and flexibility are not essential.



## Part number index

RCDXB0553	P. 77	SC16M1TK6	P. 39	YOC074	P. 81
RCDXK1D28	P. 77	SC16M11TK6	P. 39	<b>Tooling</b>	
RFD26L1D28	P. 81	SC16ML1TK6	P. 39	M10S1J	P. 81
RM14M25K	P. 39	SC16ML11TK6	P. 39	M10SG8	P. 82
RM14M30GE1J	P. 40	SC16ML11TK6	P. 39	M317	P. 50
RM14M30GE1K	P. 40	SC20M1S18	P. 39	MH860	P. 50
RM14M30J	P. 39	SC20ML1S18	P. 39	MH86164G	P. 50
RM14M30K	P. 39	SC20ML1S31	P. 39	MH86186	P. 50
RM16M23GE1J	P. 40	SC20M1TK6	P. 39	RTM205	P. 50
RM16M23GE1K	P. 40	SC20ML1TK6	P. 39	RX2025GE1	P. 50
RM16M23J	P. 39	SC20W3TK6	P. 39	RX20D44	P. 50
RM16M23K	P. 39	SC20W3S25	P. 39	S16RCM14	P. 50
RM16M25K	P. 39	SC20WL3TK6	P. 39	S16RCM1425	P. 50
RM18W3K	P. 39	SC20WL3S25	P. 39	S16RCM16	P. 50
RM20M12E8K	P. 42	SC24M1S18	P. 39	S16RCM1625	P. 50
RM20M12GE1J	P. 40	SC24ML1S18	P. 39	S16RCM20	P. 50
RM20M12GE1K	P. 40	SC24ML1S31	P. 39	S16SCM20	P. 50
RM20M12K	P. 39	SC24ML1S31	P. 39	S16SCML1	P. 50
RM20M13GE1J	P. 40	SC24M1TK6	P. 39	S16SCML11	P. 50
RM20M13GE1K	P. 40	SC24ML1TK6	P. 39	S20RCM	P. 50
RM20M13J	P. 39	SC24W3TK6	P. 39	S20SCM20	P. 50
RM20M13K	P. 39	SC24W3S25	P. 39	S221	P. 81
RM20W3K	P. 39	SC24WL3TK6	P. 39	S23D2	P. 81
RM24M9GE1J	P. 40	SC24WL3S25	P. 39	S80	P. 82
RM24M9GE1K	P. 40	SM14M1S18	P. 39	S82	P. 83
RM24M9J	P. 39	SM14ML1S18	P. 39	S83	P. 82
RM24M9K	P. 39	SM14M1S31	P. 39	S87	P. 83
RM24W3K	P. 39	SM14ML1S31	P. 39	S88	P. 83
RM28M1GE1J	P. 40	SM14M1TK6	P. 39	SHANDLES	P. 50
RM28M1GE1K	P. 40	SM14ML1TK6	P. 39	SL105	P. 82
RM28M1J	P. 39	SM16M1S18	P. 39	SL46D2	P. 81
RM28M1K	P. 39	SM16M11S18	P. 39	SL471	P. 81
RMD26L1D28	P. 82	SM16ML1S18	P. 39	UH25	P. 50
RMDX6015D28	P. 78	SM16ML11S18	P. 39		
RMDX6018D28	P. 77	SM16M1S31	P. 39		
RMDX6019D28	P. 78	SM16M11S31	P. 39		
RMDX602D28	P. 81	SM16ML1S31	P. 39		
RMDX6024D28	P. 77	SM16ML11S31	P. 39		
RMDX6026D28	P. 77	SM16M1TK6	P. 39		
RMDX6031D28	P. 78	SM16M11TK6	P. 39		
RMDX6032D28	P. 77	SM16ML1TK6	P. 39		
RMDX6034D28	P. 77	SM16ML11TK6	P. 39		
RMDX6036D28	P. 77	SM20M1S18	P. 39		
RMDX6046D28	P. 77	SM20ML1S18	P. 39		
RMDX6050D28	P. 77	SM20M1S31	P. 39		
RMDX6052D28	P. 77	SM20ML1S31	P. 39		
RMDXB0553	P. 81	SM20M1TK6	P. 39		
RMDXK10D28	P. 77	SM20ML1TK6	P. 39		
SC14M1S18	P. 39	SM20W3TK6	P. 39		
SC14ML1S18	P. 39	SM20W3S26	P. 39		
SC14M1S31	P. 39	SM20WL3TK6	P. 39		
SC14ML1S31	P. 39	SM20WL3S26	P. 39		
SC14M1TK6	P. 39	SM24M1S18	P. 39		
SC14ML1TK6	P. 39	SM24ML1S18	P. 39		
SC16M1S18	P. 39	SM24M1S31	P. 39		
SC16M11S18	P. 39	SM24ML1S31	P. 39		
SC16ML1S18	P. 39	SM24M1TK6	P. 39		
SC16ML11S18	P. 39	SM24ML1TK6	P. 39		
SC16M1S31	P. 39	SM24W3TK6	P. 39		
SC16M11S31	P. 39	SM24W3S26	P. 39		
SC16ML1S31	P. 39	SM24WL3TK6	P. 39		
SC16ML11S31	P. 39	SM24WL3S26	P. 39		











# Reliable People, Reliable Solutions



Your local contact



Our contribution to environmental protection:  
This catalog is printed on PEFC certified paper  
Advancement of sustainable wood cultivation. [www.pefc.org](http://www.pefc.org)

[www.souriau-industrial.com](http://www.souriau-industrial.com)  
[technicalsupport@souriau.com](mailto:technicalsupport@souriau.com)

**Esterline**  
Connection Technologies

**SOURIAU**