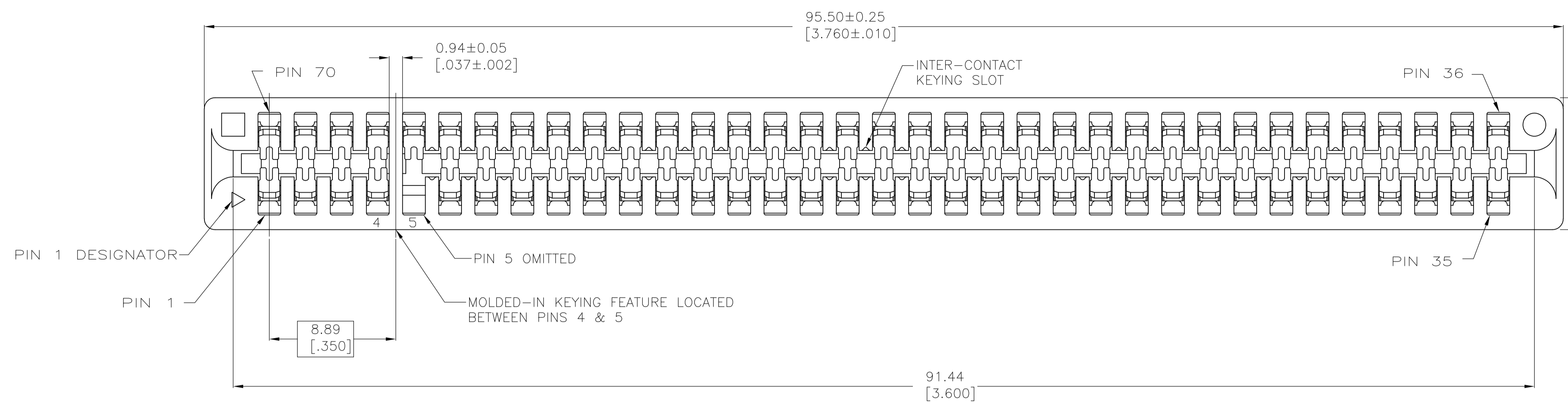
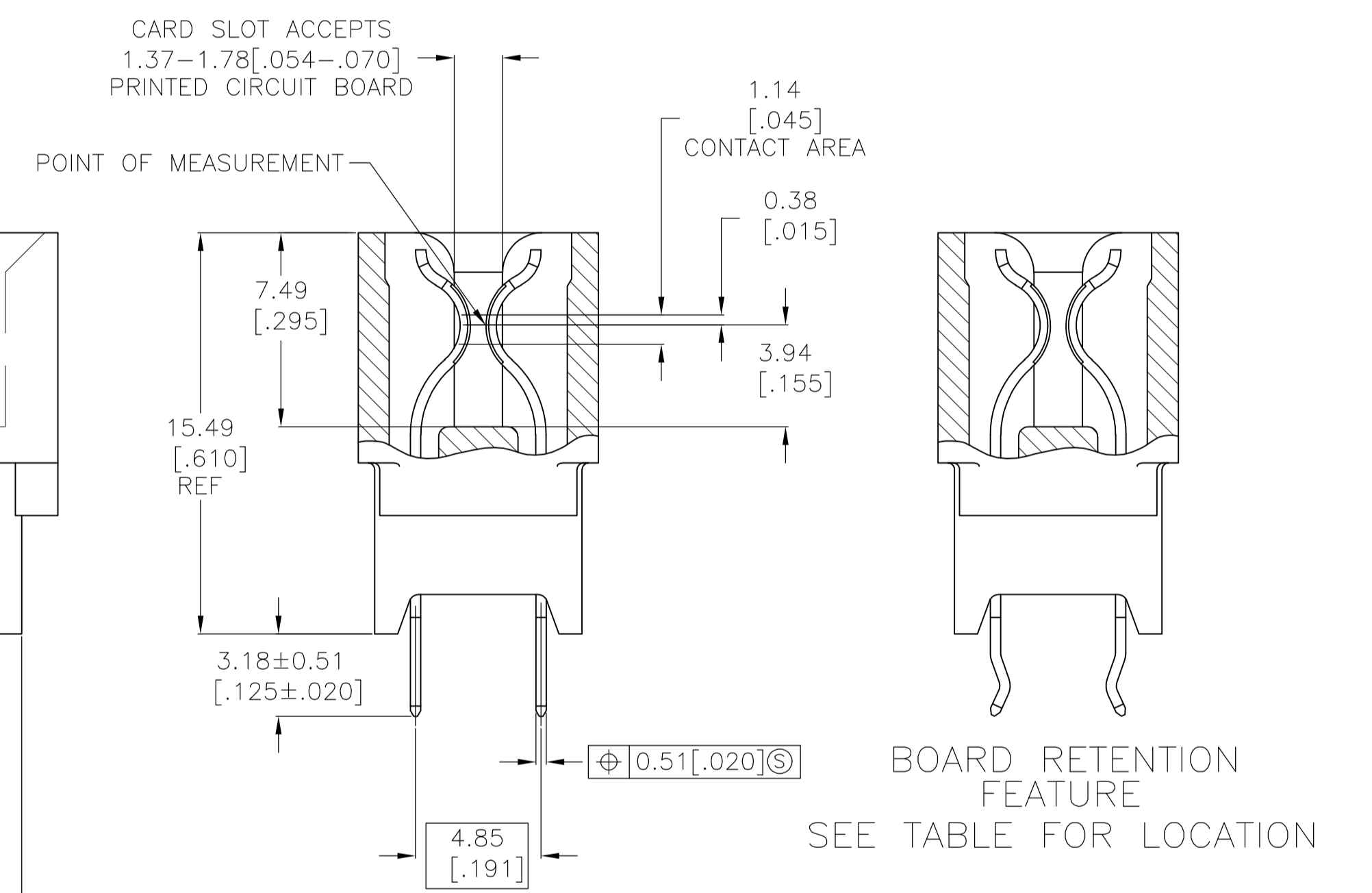
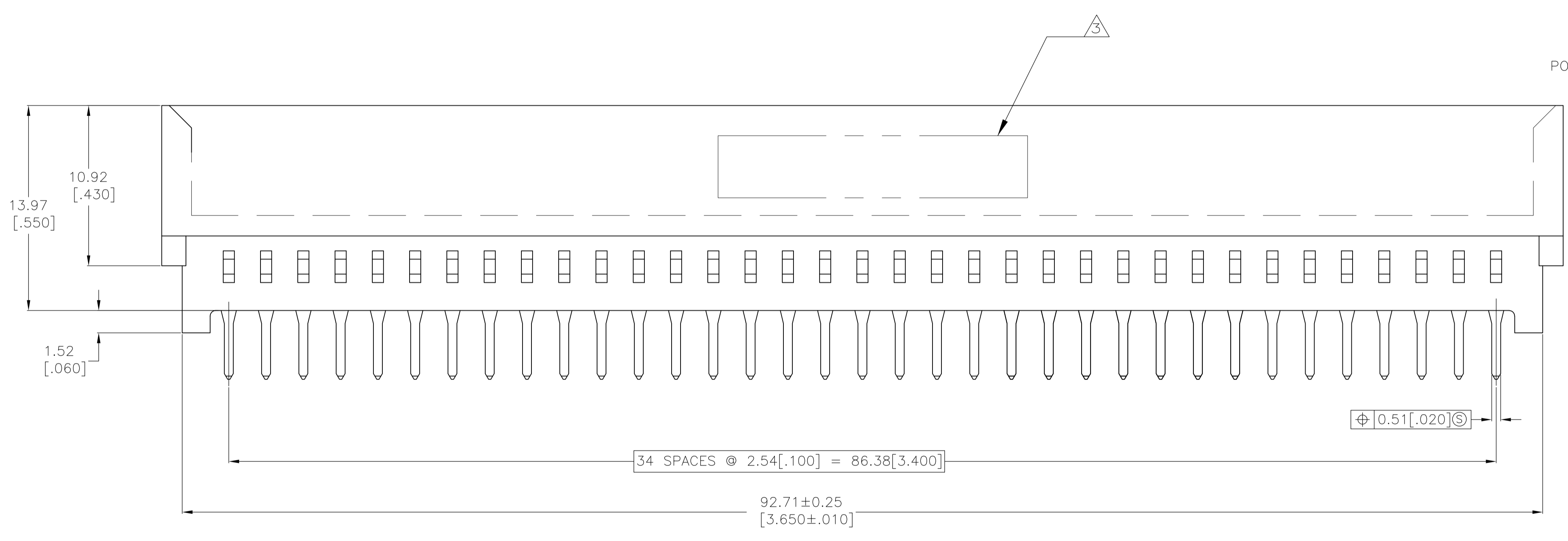


LOC		DIST		REVISIONS			
P	LTR	DESCRIPTION	DATE	DN	APVD		
C1		REV PER ECO-09-017748	30JULY09	RG	EH		



- MATERIAL:
HOUSING: GLASS FILLED POLYESTER; COLOR: BLACK.
CONTACT: HIGH CONDUCTIVITY COPPER ALLOY
- FINISH:
0.00076[.000030] GOLD PLATE IN CONTACT AREA,
0.00254[.000100] MIN MATTE TIN ON SOLDER POSTS, ALL
OVER 0.00127[.000050] MIN NICKEL
- AMP LOGO, TE PART NUMBER, DATE CODE AND CSA LOGO INK
STAMPED WHITE (HOT STAMPED OR LAZER PRINTED) IN THE APPROXIMATE
AREA SHOWN, EITHER SIDE PERMISSABLE, WHEN HOUSING SIZE PERMITS
- DATUMS AND BASIC DIMENSIONS ESTABLISHED BY CUSTOMER



2, 3, 33, 34, 37, 38, 68, 69	1761446-1
RETENTION FEATURE LOCATION	PART NUMBER

THIS DRAWING IS A CONTROLLED DOCUMENT.		DNW AWF/L.A.MAYER 03APR2008	Tyco Electronics Corporation Harrisburg, Pa 17105-3608	
DIMENSIONS: mm		CHK A.W.FRANTUM 03APR2008	NAME S.L.FLICKINGER 03APR2008	
TOLERANCES UNLESS OTHERWISE SPECIFIED: 0. PLC ± - 1. PLC ± - 2. PLC ± 0.13 [.005] 3. PLC ± - 4. PLC ± - ANGLES ± °		APVD S.L.FLICKINGER 03APR2008	PRODUCT SPEC 108-9039	
MATERIAL SEE NOTE 1		FINISH SEE NOTE 2	APPLICATION SPEC 114-13018	SIZE A1
WEIGHT -		SCALE 5:1	DRAWING NO 1761446	RESTRICTED TO 1 OF 2
CUSTOMER DRAWING		SCALE 5:1	SHEET 1 OF 2	REV C1

